



Iris um Oifig Maoine Intleachtúla na hÉireann
Journal of the Intellectual Property Office of Ireland

Iml. 100

Cill Chainnigh 12 March 2025

Uimh. 2537

CLÁR INNSTE

Cuid I		Cuid II	
Paitinní	Leath	Trádmharcanna	Leath
Applications for Patents	298	Application for Registration of marks published under Section 43(1)	348
Applications published	299	Opposition under Section 43 of the 1996 Act	376
Patents Granted	299	Revocation of Registration under Section 51	376
Patents Granted Under European Patent Convention Designating Ireland	300	Applications withdrawn	376
Refused - Section 31(1)	390	Trade Marks Registered	377
Applications Lapsed through Non-Payment of Renewal Fees	390	Renewal of Registrations	378
Patents Lapsed through Non-Payment of Renewal Fees	390	Renewal Fees unpaid at date of expiry of Registration or renewal thereof - Rule 39(1) of the 1996 Rules	378
Request for Grant of Supplementary Protection Certificates	391	Trade Marks Removed From the Register	381
Supplementary Protection Certificates Lapsed	392	Leave to Alter Registered Trade Mark Granted, 1996 Act	383
Proceedings under Section 37 of the Patents Act, 1992	392	International Registrations under the Madrid Protocol seeking protection in the State.	384
		Cancellations effected for goods/services under the Madrid Protocol	400
		Changes/Corrections in the International Register.	400
Dearachtaí			
Designs Information under the 2001 Act			
Designs Registered Under The Industrial Designs Act, 2001	393		
Renewal of Designs under the Industrial Designs Act, 2001	401		
Designs registered under the industrial designs Act, 2001 which have expired due to non-renewal	401		

The Journal of the Intellectual Property Office of Ireland is published fortnightly.

Each issue is freely available to view or download from our website at
www.ipoi.gov.ie

© *Rialtas na hÉireann, 2025*

© *Government of Ireland, 2025*

Iris um Oifig Maoine Intleachtúla na hÉireann
Journal of the Intellectual Property Office of Ireland
Cuid I
Paitinní agus Dearachtaí

No. 2537

Wednesday, 12 March, 2025

NOTE: *The office does not guarantee the accuracy of its publications nor undertake any responsibility for errors or omissions or their consequences.*

In this Part of the Journal, a reference to a section is to a section of the Patents Act, 1992 unless otherwise stated.

Applications for Patents From 08/02/2025 to 20/02/2025

The names of applicants are in alphabetical order. The title of the invention should not be regarded as an exhaustive indication of the subject-matter. The date immediately following the title is that on which the application was filed; in the case of a divisional application, the filing date of the earlier application is added within parentheses. Where the application invokes the Paris Convention, the Convention country and priority date(s) claimed are given in square brackets. Where an application claimed the priority of an earlier application filed at this Office, this information is given within the square brackets. The number is that of the application and should be used for correspondence purposes up to the date of grant of a patent. The letter S preceding the number indicates that the application is for a short-term patent. A new number will be given when a patent is granted and this new number should be quoted in all correspondence subsequent to grant.

ABDELLAH AMINE HAMDOUNY Electrical Energy Generation System Using Upward Buoyant Force to Convert Mechanical Energy Through Linked Containers Moved by Fluid (Air) with Lower Density Than Environmental Fluid (Water) 18 February 2025	20250061
ANKUSH JAGIA First-of-Its-Kind Interactive Gameplay System for Planetary Evolution, AI-Driven Diplomacy, and Conscious Awakening 09 February 2025	S20250051
BRENDAN EDMOND MCGRATH A communicating system for communicating with an animal 18 February 2025	S20250062
CHAOHU UNIVERSITY INTEGRATED SIX-DEGREE-OF-FREEDOM ROBOT CENTRIFUGAL PUMP AUTOMATED ASSEMBLY AND INSTALLATION ACCURACY DETECTION WORKBENCH 08 February 2025	S20250049
CHISONG BIOPHARMACEUTICAL (HUBEI) CO., LTD. PACLITAXEL ANTICANCER DRUG AND SYNTHETIC ROUTE THEREOF 10 February 2025	S20250052
CHISONG BIOPHARMACEUTICAL (HUBEI) CO., LTD. ANTICANCER COMPOUND AND PREPARATION METHOD THEREFOR 14 February 2025	S20250058
CUDDIHY, BRENDAN JOSEPH; CUDDIHY, WILLIAM JOHN; CUDDIHY, PAULA Protective Head Cap 19 February 2025	20250063
FEI YANG; BAOZE CHEN ASTRAGALUS AND JUJUBE TEA FOR TONIFYING QI AND ACTIVATING THE YANG-ENERGY 20 February 2025	S20250064
INSTITUTE OF MEDICAL BIOLOGY, CHINESE ACADEMY OF MEDICAL SCIENCES TAQMAN FLUORESCENT QUANTITATIVE POLYMERASE CHAIN REACTION PRIMER SET FOR SIMIAN VARICELLA VIRUS AND APPLICATION 10 February 2025 [China-07 November 2024]	S20250055
JONATHAN BOWERS FanFuzer is a unified social, music and ticketing platform where users can purchase tickets, stream live events, on-demand music events, and engage with artists and other fans in real time 10 February 2025	S20250053
KUNMING UNIVERSITY OF SCIENCE AND TECHNOLOGY PREPARATION METHOD OF STAR ANISE CRAFT BEER 12 February 2025 [China-09 September 2024]	S20250056
MAURA O'CALLAGHAN Hybrid Whiskey Barrel Design 10 February 2025	S20250054

SAHABI MAMAN Internet of things. IoT GZ3 09 February 2025	S20250050
VAUGHN POTGIETER AI-Assisted Hybrid Quantum Communication for Autonomous Error Correction 17 February 2025	S20250060
YAN'AN UNIVERSITY CONSTRUCTION SYSTEM OF AN INTERDISCIPLINARY PHYSICAL EDUCATION CURRICULUM INTEGRATION TEACHING MODEL BASED ON THE OBE CONCEPT 12 February 2025	S20250057
YVONNE BRADY Self-Cleaning Dome for Hearing Aids with Wax-Blocking Rim 14 February 2025	S20250059

Applications Published Under Section 28

The following applications become open to public inspection as from the date of this issue of the journal unless otherwise specified. The date given is the date of filing of the application or the earliest priority claimed.

2024	S20240389	CHINA RAILWAY NO.8 ENGINEERING GROUP CO., LTD, HOISTING DEVICE FOR OFFSHORE SHIELD MACHINE AND METHOD THEREFOR. 08 May 2024. Int. Cl. (2025.01) B66C 13/00; B66C 1/00; B66C 23/00; B66D 1/00; B66D 5/00.
-------------	------------------	---

Patents Granted Under Section 34

The number of a patent is given in heavy type; the letter S preceding the number indicates a short-term patent. The code numbers following the title of each invention are those of the International Patent Classification. The date of filing the application follows the proprietor's name. The patent application number, which follows the date of application in parenthesis, has been superseded by the patent number. In the case of an application claiming the priority of an earlier application, the name of the country where the earlier application was made and the date of the earlier application are shown in square brackets.

87589	MULTI-CIRCUIT ELECTRICAL DISTRIBUTION SYSTEM. Int. Cl. (2025.01) H02G 3/00. MODULA MANUFACTURING (IRL) LIMITED 18 September 2023 (20230391)
S87590	HOISTING DEVICE FOR OFFSHORE SHIELD MACHINE AND METHOD THEREFOR. Int. Cl. (2025.01) B66C 13/00; B66C 1/00; B66C 23/00; B66D 1/00; B66D 5/00. CHINA RAILWAY NO.8 ENGINEERING GROUP CO., LTD 28 June 2024 (S20240389) [China-08 May 2024]
87591	A HIGH-THROUGHPUT ALGORITHM FOR MULTIVERSION CONCURRENCY CONTROL WITH GLOBALLY SYNCHRONIZED TIME. Int. Cl. (2025.01) G06F 17/00. Google LLC 07/07/2023 {25/09/2017 2017/0198} (20230257) [United States of America-09 December 2016]

Patents Granted Under European Patent Convention Designating Ireland

The Irish serial number appears first followed, respectively, by the proprietor's name, the date of filing of the application, the filing number and the European Patent Office publication number.

If the specification of the European patent was published in French or German the word 'French' or 'German', as appropriate, will appear as the last item of information. In such cases, it is necessary to file a translation in English and pay the prescribed fee, within six months of the publication date of the grant, in order that the patent may continue to have effect.

Grants Published in EPO Bulletin No. 07/25, dated 2025-02-12

2079565	Mate Precision Tooling, Inc.	07/06/2007	2079565	07809348.1
2436677	Shinryo Corporation	20/05/2010	2436677	10780472.6
2616977	Commonwealth Scientific and Industrial Research Organisation	15/09/2011	2616977	11824355.9
2643348	Molecular Partners AG	25/11/2011	2643348	11788152.4
2663266	W. L. Gore & Associates, Inc.	17/11/2011	2663266	11791383.0
2671758	NISSAN MOTOR CO., LTD.	25/01/2012	2671758	12742573.4
2729829	AUSTRALIAN NUCLEAR SCIENCE AND TECHNOLOGY ORGANISATION	06/07/2012	2729829	12810784.4
2755766	Wolff, James B.	12/09/2012	2755766	12832471.2
2770059	Vilmorin & Cie	22/02/2013	2770059	13305205.0
2774615	Kao Corporation	16/10/2012	2774615	12842024.7
2858025	Exegy	01/10/2013	2858025	13306358.6
2874174	Eaton Intelligent Power Limited	14/11/2014	2874174	14193134.5
2884710	ZTE Corporation	04/09/2013	2884710	13842529.3
2888583	Baker Hughes Holdings LLC	16/07/2013	2888583	13745738.8
2891829	Goodrich Corporation	30/10/2014	2891829	14191165.1
2900069	Yale University	25/09/2013	2900069	13842781.0
2932897	ARKRAY, Inc.	15/04/2015	2932897	15163743.6
2944280	Olympus Corporation Keio University	16/12/2013	2944280	13870674.2
2951475	Eaton Intelligent Power Limited	30/05/2013	2951475	13733106.2
2959213	RealD Spark, LLC	21/02/2014	2959213	14754859.8
2969536	Schneller, LLC	14/03/2014	2969536	14770627.9
2986389	Metso Finland Oy	14/04/2014	2986389	14726662.1
2989499	Ventana Medical Systems, Inc.	15/07/2014	2989499	14738847.4
2992405	Mirametrix Inc.	29/04/2014	2992405	14730201.2
2994847	Foundation Medicine, Inc.	09/05/2014	2994847	14795352.5
2998022	Mitsui Mining & Smelting Co., Ltd	17/04/2014	2998022	14797914.0
3002418	RTX Corporation	30/07/2015	3002418	15179139.9
3012279	LG Chem, Ltd.	31/07/2014	3012279	14832771.1
3018433	General Electric Technology GmbH	30/10/2015	3018433	15192267.1
3028686	Multigate Medical Products Pty Ltd	26/10/2015	3028686	15191509.7
3040366	Samsung Electronics Co., Ltd. Samsung SDI Co., Ltd.	24/12/2015	3040366	15202722.3
3040502	Smits Gemert B.V.	29/12/2014	3040502	14200404.3
3054038	Dow Global Technologies LLC	06/02/2015	3054038	15382041.0
3061161	Amphenol FCI Asia Pte. Ltd.	22/10/2014	3061161	14855318.3
3066374	Baker Hughes Energy Technology UK Limited	04/11/2014	3066374	14796855.6
3073762	The Yokohama Rubber Co., Ltd.	11/11/2014	3073762	14861647.7
3074424	Zymeworks BC Inc.	27/11/2014	3074424	14866161.4
3074914	Tata Consultancy Services Limited	25/02/2014	3074914	14864803.3
3076101	ATAG Heating B.V.	09/03/2016	3076101	16159342.1

3077958	Advanced Track And Trace	02/12/2014	3077958	14821783.9	French
3099121	Apple Inc.	20/08/2014	3099121	16168384.2	
3140681	Baker Hughes Holdings LLC	06/05/2015	3140681	15789319.9	
3142105	The Boeing Company	15/08/2016	3142105	16184219.0	
3145947	Yeda Research and Development Co., Ltd.	21/05/2015	3145947	15753495.9	
3146948	Lincoln Global, Inc.	13/10/2010	3146948	16002307.3	
3147100	Kyoraku Co., Ltd.	07/05/2015	3147100	15795981.8	
3148713	Artificial Cell Technologies, Inc.	22/05/2015	3148713	15800637.9	
3151044	Juniper Networks, Inc.	31/03/2016	3151044	16163428.2	
3154916	BASF SE	12/06/2015	3154916	15729805.0	German
3157541	Arrowhead Pharmaceuticals, Inc.	16/06/2015	3157541	15809171.0	
3167869	Capsugel Belgium NV	16/11/2015	3167869	15194818.9	
3169722	Chromition Limited	20/07/2015	3169722	15741300.6	
3170926	Sumitomo Electric Industries, Ltd. Sumitomo Electric Hardmetal Corp.	14/07/2015	3170926	15821748.9	
3176605	Nuctech Company Limited	28/09/2016	3176605	16191237.3	
3180406	BASF SE	24/07/2015	3180406	15831838.6	
3183699	Hitachi Energy AG	03/08/2015	3183699	15750319.4	
3186027	Tenneco Inc.	05/08/2015	3186027	15749947.6	
3190911	SBD Apparel Ltd	18/08/2015	3190911	15756447.7	
3192408	Coway Co., Ltd.	28/08/2015	3192408	15840407.9	
3197459	Huahui Health Ltd.	28/09/2015	3197459	15843253.4	
3200715	Koninklijke Philips N.V.	16/09/2015	3200715	15775818.6	
3220436	BOE Technology Group Co., Ltd.	20/10/2015	3220436	15856177.9	
3222243	Dentsply Sirona Inc.	19/08/2016	3222243	16184965.8	
3226978	SureWrx USA, Inc.	04/12/2015	3226978	15864540.8	
3227425	Novozymes A/S	03/12/2015	3227425	15804523.7	
3227545	TOYOTA JIDOSHA KABUSHIKI KAISHA	27/11/2015	3227545	15834753.4	
3229885	Flexicare (Group) Limited	08/12/2015	3229885	15867699.9	
3230788	Canon Kabushiki Kaisha	08/12/2015	3230788	15820650.8	
3235601	Koki Holdings Co., Ltd.	27/11/2015	3235601	15869773.0	
3236552	YPP Co. Ltd.	11/12/2015	3236552	15870250.6	
3240457	L'OREAL	28/12/2015	3240457	15876121.3	
3242923	hte GmbH the high throughput experimentation company	22/12/2015	3242923	15816787.4	German
3245454	Knauf Gips KG	16/04/2015	3245454	15720202.9	
3245614	Qualcomm Incorporated	14/12/2015	3245614	15828576.7	
3246663	HERE Global B.V.	17/05/2017	3246663	17171573.3	
3246871	Neusoft Medical Systems Co., Ltd.	19/05/2017	3246871	17172005.5	
3249686	Mitsubishi Electric Corporation	24/05/2016	3249686	16171013.2	
3256156	TRANSGENE	12/02/2016	3256156	16704208.4	
3256240	Sartorius Stedim Biotech GmbH	11/07/2016	3256240	16753580.6	German
3264365	Siemens Healthineers AG	28/06/2016	3264365	16176653.0	
3264802	Nokia Technologies Oy	30/06/2016	3264802	16177335.3	
3267801	Cargill, Incorporated	10/03/2016	3267801	16714632.3	
3268672	Copeland, Joseph	06/04/2015	3268672	15884891.1	
3273393	Kabushiki Kaisha Toshiba	19/07/2017	3273393	17182143.2	
3273549	CommScope Connectivity Spain, S.L.	21/03/2016	3273549	16713501.1	
3275393	Sony Olympus Medical Solutions Inc.	24/03/2016	3275393	16768890.2	
3278671	Sanyo Foods Co., Ltd.	18/03/2016	3278671	16772409.5	
3282268	Rolls-Royce plc	17/07/2017	3282268	17181633.3	
3282347	Beijing Xiaomi Mobile Software Co., Ltd.	06/07/2017	3282347	17179947.1	
3285771	Sunovion Pharmaceuticals Inc.	19/04/2016	3285771	16783684.0	
3292257	Safetylink Pty Ltd	28/04/2016	3292257	16788947.6	
3292346	ZKW Group GmbH	02/05/2016	3292346	16724585.1	German
3292629	Qualcomm Incorporated	08/04/2016	3292629	16716805.3	
3293687	Capital One Services, LLC	13/09/2017	3293687	17190949.2	
3296763	Kabushiki Kaisha Toshiba	28/06/2017	3296763	17178324.4	
3297562	Koninklijke Philips N.V.	11/05/2016	3297562	16723708.0	

3297610	Technion Research & Development Foundation Ltd.	19/05/2016	3297610	16796025.1	
3298046	Cellectis	20/05/2016	3298046	16734198.1	
3301190	Agilent Technologies, Inc.	18/10/2012	3301190	17193790.7	
3302640	Sanofi-Aventis Deutschland GmbH	02/06/2016	3302640	16727462.0	
3305542	Illinois Tool Works, Inc.	04/10/2017	3305542	17194772.4	
3310339	Allgenesis Biotherapeutics Inc.	27/05/2016	3310339	16814997.9	
3310464	Solventum Intellectual Properties Company	20/06/2016	3310464	16815105.8	
3312632	HORSEDM Science & Technology (Dongguan) Company Limited	25/08/2016	3312632	16872153.8	
3312774	Berlinger & Co. AG	13/05/2014	3312774	17206685.4	
3313374	Technion Research & Development Foundation Limited	29/06/2016	3313374	16817377.1	
3313635	Cortag Indústria E Comércio Ltda.	23/03/2016	3313635	16715896.3	
3319806	De La Rue International Limited	11/07/2016	3319806	16738531.9	
3320086	Etablissement Français du Sang Université Toulouse III-Paul Sabatier Institut National de la Santé et de la Recherche Médicale (INSERM) Centre National de la Recherche Scientifique (CNRS)	08/07/2016	3320086	16738130.0	
3320398	Essilor International	05/07/2016	3320398	16736104.7	
3322338	Avinger, Inc.	13/07/2016	3322338	16825136.1	
3322716	California Institute of Technology Indi Molecular, Inc.	15/07/2016	3322716	16745579.9	
3323429	National University Corporation Kobe University Cosmed Pharmaceutical Co., Ltd.	13/07/2016	3323429	16824498.6	
3327628	Samsung Electronics Co., Ltd.	22/06/2017	3327628	17177468.0	
3328616	3M Innovative Properties Company	26/07/2016	3328616	16750265.7	
3330759	IMEC VZW Samsung Electronics Co., Ltd.	05/12/2016	3330759	16202279.2	
3334273	Vilmorin & Cie	12/08/2016	3334273	16753890.9	
3335167	Bayer Healthcare LLC	11/08/2016	3335167	16835924.8	
3335347	Apple Inc.	24/12/2015	3335347	15826211.3	
3335401	Apple Inc.	06/07/2016	3335401	16745920.5	
3338277	Dreamwell, Ltd.	18/08/2016	3338277	16757467.2	
3338650	Ethicon LLC	21/12/2017	3338650	17209263.7	
3339967	ROLEX SA	21/06/2012	3339967	18156622.5	French
3340181	Dassault Systèmes	21/12/2016	3340181	16306766.3	
3340297	Nichia Corporation	21/12/2017	3340297	17209503.6	
3341768	Smiths Detection Germany GmbH	25/08/2016	3341768	16770209.1	
3343438	Hyundai Motor Company Kia Corporation	04/12/2017	3343438	17205206.0	
3344054	Valio Ltd	31/08/2016	3344054	16766332.7	
3344789	Oerlikon Metco (US) Inc.	01/09/2016	3344789	16842978.5	
3356587	MDB Texinov Deltaval	26/09/2016	3356587	16787488.2	French
3360161	Raytheon Company	05/08/2016	3360161	16757759.2	
3362052	Merck Sharp & Dohme LLC	11/10/2016	3362052	16856011.8	
3365564	Ludwig Hettich Holding GmbH & Co. KG	21/12/2017	3365564	17825857.0	German
3367392	Proterial, Ltd.	26/02/2018	3367392	18158668.6	
3368738	Prostim Labs, LLC	17/06/2016	3368738	16732764.2	
3369382	Wuxi Hisky Medical Technologies Co., Ltd.	27/10/2016	3369382	16859040.4	
3370106	Smith Optics, Inc.	01/03/2018	3370106	18159397.1	
3370681	3M Innovative Properties Company	02/11/2016	3370681	16809219.5	
3374592	NCS Multistage Inc.	10/11/2016	3374592	16863256.0	
3374795	EXAIL	09/11/2016	3374795	16804836.1	French
3375066	Beghelli S.p.A.	31/10/2016	3375066	16815638.8	
3376954	NeuroMod Devices Limited	17/11/2016	3376954	16798699.1	

3378401	Siemens Healthineers AG	23/03/2017	3378401	17162573.4	German
3385018	OSG Corporation	02/12/2015	3385018	15909782.3	
3385845	Accenture Global Solutions Limited	05/04/2018	3385845	18165970.7	
3388038	Diakoneo KdöR	10/04/2018	3388038	18166513.4	German
3388543	The Boeing Company	16/09/2013	3388543	18173709.9	
3390821	Sumitomo (Shi) Cryogenics of America, Inc.	16/12/2016	3390821	16876740.8	
3391030	Intuitive Surgical Operations, Inc.	08/12/2016	3391030	16876412.4	
3393366	Koninklijke Philips N.V.	19/12/2016	3393366	16816666.8	
3397178	Emboline, Inc.	20/12/2016	3397178	16882367.2	
3399248	Samsung Electronics Co., Ltd.	28/06/2013	3399248	18178346.5	
3402040	Otis Elevator Company	11/05/2018	3402040	18171945.1	
3404639	Nokia Technologies Oy	18/05/2017	3404639	17171622.8	
3405500	Isothrive Inc.	18/01/2017	3405500	17741856.3	
3410085	KPM Analytics North America Corporation	30/05/2018	3410085	18175163.7	
3412318	Well Stone Co.	16/12/2016	3412318	16889431.9	
3414585	Vigilance Health Imaging Network Inc.	12/02/2016	3414585	16889683.5	
3415090	Sensible Medical Innovations Ltd.	04/09/2008	3415090	17020594.2	
3417869	Korea Institute of Oriental Medicine	17/02/2017	3417869	17753532.5	
3419392	Shenzhen Infiled Electronics Co., Ltd	11/09/2017	3419392	17894500.4	
3420880	Karl Storz Imaging, Inc.	18/06/2018	3420880	18000533.2	
3422848	Menarini Silicon Biosystems S.p.A.	03/03/2017	3422848	17712583.8	
3423522	Clariant International Ltd	20/02/2017	3423522	17707211.3	German
3423996	Carrier Corporation	01/03/2017	3423996	17711864.3	
3426000	NTN Corporation	01/03/2017	3426000	17760091.3	
3426315	The Johns Hopkins University	13/03/2017	3426315	17715299.8	
3426346	William Beaumont Hospital	10/03/2017	3426346	17764202.2	
3426374	Ecowater Systems LLC	09/03/2017	3426374	17764101.6	
3426575	Ocado Innovation Limited	10/03/2017	3426575	17710223.3	
3426984	Nortek Air Solutions Canada, Inc.	14/02/2017	3426984	17762365.9	
3428670	TOYOTA JIDOSHA KABUSHIKI KAISHA	26/06/2018	3428670	18179889.3	
3429727	ExxonMobil Technology and Engineering Company	06/03/2017	3429727	17712318.9	
3431438	Crystal Mountain International Limited	27/08/2012	3431438	18191461.5	
3432001	Quest Diagnostics Investments Incorporated	05/04/2006	3432001	18194579.1	
3432576	Sun Patent Trust	24/02/2011	3432576	18177299.7	
3433733	Microsoft Technology Licensing, LLC	20/03/2017	3433733	17716679.0	
3434996	Tyco Fire & Security GmbH	27/07/2018	3434996	18186143.6	
3438636	RTX Corporation	03/08/2018	3438636	18187281.3	
3440414	Carrier Corporation	05/04/2017	3440414	17718671.5	
3440832	Kla-Tencor Corporation	05/04/2017	3440832	17779768.5	
3443973	Kirin Holdings Kabushiki Kaisha	14/03/2017	3443973	17782172.5	
3448374	Signpath Pharma Inc.	24/04/2017	3448374	17790184.0	
3449363	Snowflake Inc.	28/04/2017	3449363	17790579.1	
3451439	Suzuki Motor Corporation	31/03/2017	3451439	17789176.9	
3454305	ALSTOM Holdings	07/09/2018	3454305	18193187.4	French
3455459	Geoquest Systems B.V.	10/04/2017	3455459	17796530.8	
3458991	WI-Tronix, LLC	16/05/2017	3458991	17800046.9	
3463329	Yale University	23/05/2017	3463329	17803433.6	
3464048	Creative Marine Solutions Ltd, UK	23/05/2017	3464048	17733018.0	
3464243	Council of Scientific and Industrial Research	26/05/2017	3464243	17743095.6	
3465681	Telefonaktiebolaget LM Ericsson (PUBL)	18/05/2017	3465681	17727126.9	
3465755	STMicroelectronics France	26/05/2017	3465755	17730872.3	French
3466613	Aida Engineering Ltd.	28/09/2018	3466613	18197559.0	
3468132	Tencent Technology (Shenzhen) Company Limited	23/05/2017	3468132	17802136.6	
3468478	C. R. Bard, Inc.	09/06/2017	3468478	17811123.3	
3468643	Becton, Dickinson and Company	08/06/2017	3468643	17739388.1	
3469163	Vese, Andrea	07/06/2017	3469163	17729355.2	

3471571	Superfeet Worldwide LLC	16/06/2017	3471571	17733709.4	
3473175	KPR U.S., LLC	10/12/2008	3473175	18193825.9	
3475443	Life Technologies Corporation	21/06/2017	3475443	17740509.9	
3476538	Lake Country Tool, LLC	29/10/2018	3476538	18203189.8	
3476947	Tubitak	26/10/2018	3476947	18000835.1	
3479359	OCTO Telematics S.p.A.	27/06/2017	3479359	17751127.6	
3479847	OP-Hygiene IP GmbH	26/10/2018	3479847	18202883.7	
3481779	Hampton Roads Sanitation District D.C. Water and Sewer Authority Murthy, Sudhir N. Wett, Bernhard	22/06/2017	3481779	17824699.7	
3485143	Curtis, Mark Robert Edmund	13/07/2017	3485143	17826669.8	
3487410	Cordance Medical Inc.	31/07/2017	3487410	17837489.8	
3488019	The General Hospital Corporation	21/07/2017	3488019	17831981.0	
3494038	RENK GmbH	11/04/2017	3494038	17717144.4	German
3494234	Liu, Yaping Kellis, Manolis Adalsteinsson, Viktor Zhang, Zhizhuo The Broad Institute, Inc. Massachusetts Institute of Technology	04/08/2017	3494234	17837791.7	
3494502	Alcon Inc.	27/07/2017	3494502	17761326.2	
3496264	Daikin Industries, Ltd.	14/09/2017	3496264	17852940.0	
3496602	Koninklijke Philips N.V.	07/08/2017	3496602	17748783.2	
3496604	Koninklijke Philips N.V.	01/08/2017	3496604	17749684.1	
3498811	Kao Corporation	07/08/2017	3498811	17839399.7	
3499886	CANON KABUSHIKI KAISHA Axis AB	18/12/2017	3499886	17306812.3	
3500882	Senko Advanced Components, Inc.	17/08/2017	3500882	17804008.5	
3501881	Spark EV Technology Ltd	21/12/2018	3501881	18215804.8	
3503810	Shanghai United Imaging Healthcare Co., Ltd.	30/09/2017	3503810	17855027.3	
3503826	Evalve Inc.	05/10/2017	3503826	17787757.8	
3504742	Microsoft Technology Licensing, LLC	22/08/2017	3504742	17758774.8	
3505034	Makita Corporation	21/12/2018	3505034	18215561.4	
3505367	The Goodyear Tire & Rubber Company	18/12/2018	3505367	18213316.5	
3506347	Intel Corporation	28/11/2018	3506347	18209004.3	
3506350	Intel Corporation	28/11/2018	3506350	18208998.7	
3506898	Navinta, LLC	31/08/2017	3506898	17847529.9	
3507065	Board of Regents of the University of Nebraska	30/08/2017	3507065	17847471.4	
3508628	adidas AG	21/12/2018	3508628	18215019.3	
3510821	Samsung Electronics Co., Ltd.	28/11/2017	3510821	17873108.9	
3512660	Fraunhofer-Gesellschaft zur Förderung der angewandten Forschung e.V. Technische Universität Dresden	08/09/2017	3512660	17765163.5	German
3515348	Intuitive Surgical Operations, Inc.	07/09/2017	3515348	17851345.3	
3515376	Nea International B.V.	21/09/2017	3515376	17785039.3	
3516562	Analytics For Life Inc.	21/09/2017	3516562	17852517.6	
3518802	Verb Surgical Inc.	08/12/2017	3518802	17877599.5	
3522970	OrbusNeich Medical Pte. Ltd.	05/10/2017	3522970	17859188.9	
3523158	DALI, L.L.C.	18/12/2016	3523158	16918462.9	
3526581	DYNISCO INSTRUMENTS LLC	13/10/2017	3526581	17791818.2	
3526704	Bruker Daltonics GmbH & Co. KG	22/09/2017	3526704	17784841.3	German
3527018	Motorola Mobility LLC	30/12/2016	3527018	16925356.4	
3528256	Commissariat à l'Energie Atomique et aux Energies Alternatives Université Grenoble Alpes Centre National de la Recherche Scientifique - CNRS	15/02/2019	3528256	19157406.0	French

3528699	Rutgers, The State University of New Jersey	19/10/2017	3528699	17862324.5	
3529796	Thales Dis France SAS	20/10/2017	3529796	17794263.8	French
3530090	BRAUN Maschinenbau GmbH	21/08/2013	3530090	19169517.0	German
3530299	Solventum Intellectual Properties Company	13/03/2009	3530299	19162338.8	
3533006	Innovative Logistics, LLC	30/10/2017	3533006	17804022.6	
3535294	NEURACLE SCIENCE CO., LTD.	07/11/2017	3535294	17867381.0	
3537495	Samsung Display Co., Ltd.	07/03/2019	3537495	19161420.5	
3537722	Samsung Electronics Co., Ltd.	19/02/2013	3537722	19170704.1	
3537759	Sony Group Corporation	17/02/2015	3537759	19171347.8	
3537845	Sun Patent Trust	19/09/2008	3537845	19171940.0	
3538505	SPECIALTY OPERATIONS FRANCE	08/11/2017	3538505	17794746.2	
3539321	Sony Group Corporation	25/08/2017	3539321	17764721.1	
3539911	Seepex GmbH	19/11/2018	3539911	18206898.1	German
3540072	Kaohsiung Medical University	14/11/2016	3540072	16921143.0	
3540151	Soletanche Freyssinet	15/03/2018	3540151	18305284.4	
3540427	Sekisui Chemical Co., Ltd. National University Corporation Kumamoto University	10/11/2017	3540427	17868688.7	
3543886	NXP B.V.	25/02/2019	3543886	19159206.2	
3544056	STMicroelectronics S.r.l. STMicroelectronics (Tours) SAS	12/03/2019	3544056	19162360.2	French
3544624	Narodden, Salomon	17/11/2017	3544624	17817018.9	
3544805	Irpplast S.p.A.	23/11/2017	3544805	17809043.7	
3545900	Align Technology, Inc.	21/05/2015	3545900	19175685.7	
3546965	Allegro MicroSystems, LLC	07/03/2019	3546965	19161225.8	
3548941	Molecular Imprints, Inc.	15/09/2017	3548941	17876076.5	
3552209	Koninklijke Philips N.V. The University of Chicago	05/12/2017	3552209	17832916.5	
3552702	Mitsui Chemicals, Inc.	21/12/2017	3552702	17885428.7	
3553154	JNC Corporation JNC Petrochemical Corporation	10/11/2017	3553154	17878833.7	
3554632	Varian Medical Systems, Inc.	13/12/2017	3554632	17880263.3	
3556020	WIDEX A/S	14/12/2016	3556020	16820203.4	
3559108	Ancor Flexibles North America, Inc.	22/12/2016	3559108	16924713.7	
3559317	BASF SE	19/12/2017	3559317	17835664.8	
3559740	CHERRY IMAGING LTD	21/12/2017	3559740	17882759.8	
3561174	Technisch Bureau Reinders B.V.	25/04/2019	3561174	19171128.2	
3561498	Honeywell International Inc.	09/04/2019	3561498	19168283.0	
3562790	SCHOTT AG	21/12/2017	3562790	17825853.9	German
3564791	Carl Zeiss Vision International GmbH	25/09/2017	3564791	17885549.0	
3566177	Siemens Aktiengesellschaft	07/11/2017	3566177	17805111.6	
3567985	Bosch Termotecnologia S.A.	07/05/2019	3567985	19172910.2	German
3568311	Valeo Systemes Thermiques	28/02/2018	3568311	18715770.6	French
3568685	Syntegon Technology GmbH	14/11/2017	3568685	17808799.5	German
3569078	China Tobacco Hunan Industrial Co., Ltd.	05/01/2018	3569078	18757405.8	
3569208	Drylock Technologies NV	14/05/2018	3569208	18172153.1	
3569586	CF Energy Service S.r.l.	14/05/2019	3569586	19174354.1	
3572832	Sony Semiconductor Solutions Corporation	25/10/2018	3572832	18892633.1	
3575386	Innospec Limited	28/07/2014	3575386	19182876.3	
3575843	Sterlite Technologies Limited	27/02/2019	3575843	19159830.9	
3579732	Kimberly-Clark Worldwide, Inc.	15/03/2018	3579732	18766752.2	
3580244	ExxonMobil Chemical Patents Inc.	13/12/2017	3580244	17832628.6	
3583502	Siemens Aktiengesellschaft	22/03/2017	3583502	17715590.0	
3583767	Telefonaktiebolaget LM Ericsson (publ)	20/02/2017	3583767	17896806.1	
3587337	Manitowoc Crane Group France SAS	25/06/2019	3587337	19182128.9	German
3588605	Suzuki Motor Corporation	31/03/2017	3588605	19185508.9	
3589808	Honeywell International Inc.	19/02/2018	3589808	18709837.1	
3589922	Baker Hughes Holdings LLC	20/02/2018	3589922	18761838.4	
3590609	Three Bond Co., Ltd.	30/11/2017	3590609	17898451.4	
3592303	The Cleveland Clinic Foundation	09/03/2018	3592303	18713111.5	

3593391	BASF SE	21/02/2018	3593391	18714129.6	
3594865	Tata Consultancy Services Limited	03/07/2019	3594865	19184116.2	
3595697	The Children's Hospital of Philadelphia	13/03/2018	3595697	18767318.1	
3596661	DeepMind Technologies Limited	22/05/2018	3596661	18726145.8	
3596865	QUALCOMM Incorporated	13/03/2018	3596865	18714926.5	
3598102	Commissariat à l'Energie Atomique et aux Energies Alternatives	12/07/2019	3598102	19186065.9	French
3598208	Essilor International	18/07/2018	3598208	18305981.5	
3600063	Koninklijke Philips N.V.	19/03/2018	3600063	18716519.6	
3600641	Calyxia	20/03/2018	3600641	18710903.8	French
3601208	International Flavors & Fragrances Inc.	30/03/2018	3601208	18775050.0	
3602001	Malvern Panalytical Limited	20/03/2018	3602001	18710904.6	
3602038	Van de Ven Beheer B.V.	28/03/2018	3602038	18717721.7	
3602094	Koninklijke Philips N.V.	26/03/2018	3602094	18716926.3	
3602195	Magic Leap, Inc.	21/03/2018	3602195	18772476.0	
3603634	Novartis AG	17/05/2005	3603634	19180535.7	
3603717	Fisher & Paykel Healthcare Limited	31/03/2015	3603717	19187486.6	
3604438	Polyplastics Co., Ltd.	20/03/2018	3604438	18777037.5	
3604980	Daikin Industries, Ltd.	26/03/2018	3604980	18774971.8	
3605471	CANON KABUSHIKI KAISHA	13/12/2018	3605471	18888925.7	
3606702	Milwaukee Electric Tool Corporation	04/05/2018	3606702	18794567.0	
3607488	INTEL Corporation	07/04/2017	3607488	17904390.6	
3607979	Artisan Lab Co., Ltd.	06/04/2018	3607979	18780813.4	
3607986	Nipro Corporation				
3607986	Merz Pharmaceuticals, LLC	03/12/2013	3607986	19197088.8	
3609583	Dentacare Gmbh Institut Für Moderne Zahnmedizin	10/04/2018	3609583	18725746.4	German
3610173	KettenWulf Betriebs GmbH	09/04/2018	3610173	18719077.2	German
3610259	Michigan Technological University	13/04/2018	3610259	18722811.9	
3610395	Shiftright Inc.	31/05/2018	3610395	18808714.2	
3612107	Boston Scientific Scimed, Inc.	19/04/2018	3612107	18722863.0	
3612645	F. Hoffmann-La Roche AG	18/04/2018	3612645	18718451.0	
3614849	Haas Food Equipment GmbH	27/04/2018	3614849	18718852.9	German
3615079	Fresh Cut Development, LLC	22/09/2017	3615079	17907335.8	
3615281	Southie Autonomy Works, Inc.	25/04/2018	3615281	18791948.5	
3616328	Voltserver, Inc.	26/04/2018	3616328	18790800.9	
3616398	Phenix Real Time Solutions, Inc.	09/04/2018	3616398	18790478.4	
3616650	Cook Medical Technologies LLC	30/08/2019	3616650	19194707.6	
3619165	RHODIA OPERATIONS	03/05/2018	3619165	18720285.8	
3620220	Hydac Filtrertechnik GmbH	28/08/2019	3620220	19193977.6	German
3620634	RTX Corporation	06/09/2019	3620634	19196054.1	
3623011	Vanda Pharmaceuticals Inc.	22/08/2014	3623011	19200623.7	
3623025	Sony Interactive Entertainment Inc.	01/07/2019	3623025	19183568.5	
3623167	DENTSU INC.	12/05/2017	3623167	17909595.5	
3625189	BASF SE	15/05/2018	3625189	18724855.4	
3625663	Microsoft Technology Licensing, LLC	23/04/2018	3625663	18725694.6	
3628038	Hitachi Astemo France	12/06/2018	3628038	18735674.6	French
3628313	Novohale Therapeutics, LLC	28/09/2018	3628313	18461615.9	
3629835	Rutzke, Marco	29/05/2018	3629835	18750314.9	German
3631128	Tedee IP spolka z ograniczona odpowiedzialnoscia	29/05/2018	3631128	18739925.8	
3631597	TU Dresden	18/05/2018	3631597	18735492.3	German
3632535	JGC Catalysts and Chemicals Ltd.	31/05/2018	3632535	18810836.9	
3633265	Illinois Tool Works, Inc.	23/08/2019	3633265	19193386.0	
3633773	Panasonic Intellectual Property Management Co., Ltd.	21/11/2017	3633773	17912072.0	
3635491	Autodesk, Inc.	08/06/2018	3635491	18813967.9	
3636082	G.D S.p.A.	08/10/2019	3636082	19201826.5	
3636182	Synaptic Medical Technology (Beijing) Co., Ltd.	27/12/2013	3636182	19212788.4	
3636205	Align Technology, Inc.	29/01/2009	3636205	19193261.5	

3637325	Shanghai Cambricon Information Technology Co., Ltd	23/05/2018	3637325	18806558.5	
3637396	BOE Technology Group Co., Ltd. Beijing BOE Display Technology Co., Ltd.	04/06/2018	3637396	18813688.1	
3639860	Mayo Foundation for Medical Education and Research	03/09/2014	3639860	19200268.1	
3640842	IDEX BIOMETRICS ASA	12/03/2014	3640842	19214407.9	
3641837	UV Light Care, Inc.	21/06/2018	3641837	18820963.9	
3643115	Qualcomm Incorporated	19/06/2018	3643115	18819626.5	
3643647	QTEK DESIGN LTD.	24/10/2019	3643647	19205081.3	
3644354	THALES	18/10/2019	3644354	19204086.3	French
3646495	Qualcomm Incorporated	17/05/2018	3646495	18731582.5	
3646651	Telecom Italia S.p.A.	14/06/2018	3646651	18737806.2	
3648836	The Regents of the University of California	06/07/2018	3648836	18829153.8	
3649777	QUALCOMM Incorporated	05/07/2018	3649777	18745792.4	
3650431	Daikin Industries, Ltd.	03/07/2018	3650431	18829094.4	
3650878	Siemens Healthineers AG	08/11/2018	3650878	18205132.6	German
3651279	Contemporary Ampere Technology (Hong Kong) Limited	25/10/2019	3651279	19205293.4	
3651783	Nederlandse Organisatie voor toegepast-natuurwetenschappelijk onderzoek TNO	12/07/2018	3651783	18749188.1	
3652386	Mitelberg, Diego	12/07/2018	3652386	18832824.9	
3652449	Kass Bathroom Products Limited	11/07/2018	3652449	18753451.6	
3653029	Inertech IP LLC	16/07/2018	3653029	18749965.2	
3654400	Toppan Printing Co., Ltd.	05/07/2018	3654400	18832483.4	
3655129	Process Wastewater Technologies, LLC	19/07/2018	3655129	18755350.8	
3655850	Apple Inc.	17/07/2018	3655850	18755973.7	
3656377	Hyloris Pharmaceuticals sa	17/07/2015	3656377	19215735.2	
3657168	Brandeis University	08/10/2013	3657168	20151219.1	
3657189	GS Yuasa International Ltd.	19/07/2018	3657189	18834355.2	
3657438	Elta Systems Ltd.	25/11/2019	3657438	19211355.3	
3657477	Shenzhen China Star Optoelectronics Semiconductor Display Technology Co., Ltd.	11/09/2017	3657477	17918313.2	
3658059	Intuitive Surgical Operations, Inc.	18/07/2018	3658059	18838547.0	
3659085	Mastercard International Incorporated	31/05/2018	3659085	18732607.9	
3659265	Decawave Ltd.	07/12/2018	3659265	18815197.1	
3659385	Huawei Technologies Co., Ltd.	13/08/2018	3659385	18854135.3	
3659758	Kabushiki Kaisha Yaskawa Denki	25/11/2019	3659758	19211189.6	
3659838	Trane International Inc.	29/11/2019	3659838	19212539.1	
3661338	Mitsubishi Electric Corporation	26/07/2017	3661338	17918791.9	
3661532	Norges Miljø - OG Biovitenskapelige Universitet (NMBU) Sykehuset Østfold HF University of Copenhagen	02/08/2018	3661532	18752125.7	
3662359	Kioxia Corporation	01/08/2018	3662359	18786385.7	
3663529	RTX Corporation	29/11/2019	3663529	19212610.0	
3663825	Sterlite Technologies Limited	31/01/2019	3663825	19154928.6	
3663842	Samsung Display Co., Ltd.	08/11/2019	3663842	19208133.9	
3664714	Hologic, Inc.	10/08/2018	3664714	18843788.3	
3665219	Clariant International Ltd	08/08/2018	3665219	18752740.3	German
3666883	Zhongke Xinray (Suzhou) Biological Technology Co., Limited Calroy Health Sciences, LLC	12/12/2019	3666883	19215609.9	
3667388	CANON KABUSHIKI KAISHA	10/12/2019	3667388	19214932.6	
3668322	Jarvis Products Corporation	14/08/2018	3668322	18846456.4	
3668978	Fluidigm Corporation	20/08/2018	3668978	18845944.0	
3669794	Ethicon LLC	26/03/2015	3669794	20156668.4	
3669795	Ethicon LLC	26/03/2015	3669795	20156695.7	
3670034	RTX Corporation	17/12/2019	3670034	19217200.5	
3670188	Canon Production Printing Holding B.V.	18/12/2018	3670188	18213423.9	

3671195	Siemens Aktiengesellschaft	17/12/2018	3671195	18213202.7	German
3672255	Nokia Technologies Oy	25/11/2019	3672255	19211222.5	
3672590	The Children's Medical Center Corporation	21/08/2018	3672590	18849339.9	
3673725	Robert Bosch GmbH	20/12/2019	3673725	19218551.0	German
3673817	Ethicon LLC	26/03/2015	3673817	20156692.4	
3673827	Ethicon LLC	23/12/2019	3673827	19219463.7	
3674194	Beijing Niu Information Technology Co., Ltd.	24/04/2019	3674194	19170871.8	
3674771	Leica Instruments (Singapore) Pte. Ltd.	27/12/2018	3674771	18248050.9	
3674774	Leica Instruments (Singapore) Pte. Ltd.	27/12/2018	3674774	18248048.3	
3676421	ArcelorMittal	20/07/2018	3676421	18750525.0	
3676711	Qualcomm Incorporated	06/08/2018	3676711	18762422.6	
3678076	HERE Global B.V.	19/12/2019	3678076	19217973.7	
3678279	Nuvoton Technology Singapore Pte. Ltd. Nuvoton Technology Corporation Japan	28/08/2018	3678279	18852385.6	
3678674	Baylor College of Medicine	06/09/2018	3678674	18854757.4	
3678742	NUUD B.V.	06/09/2018	3678742	18789231.0	
3680935	BOE Technology Group Co., Ltd.	04/09/2018	3680935	18849825.7	
3681310	RRIP, LLC	13/09/2018	3681310	18800351.1	
3681374	Reichert, Inc.	11/09/2018	3681374	18855934.8	
3682199	Université de Perpignan Via Domitia Centre national de la recherche scientifique	14/09/2018	3682199	18806975.1	French
3682511	Smiths Interconnect Americas, Inc.	10/09/2018	3682511	18854543.8	
3683041	Kuroda, Takeshi	27/04/2018	3683041	18916678.8	
3683046	LG Chem, Ltd.	17/09/2018	3683046	18857315.8	
3684039	Samsung Electronics Co., Ltd.	25/10/2018	3684039	18890033.6	
3684053	Nuvoton Technology Corporation Japan	09/08/2018	3684053	18856333.2	
3684359	Fundação GIMM - Gulbenkian Institute for Molecular Medicine	14/09/2018	3684359	18855917.3	
3684418	Thiogenesis Therapeutics, Inc.	20/09/2018	3684418	18858763.8	
3684586	Integrated Plastics Pty Limited	20/09/2018	3684586	18859426.1	
3685953	Panasonic Intellectual Property Management Co., Ltd.	20/09/2018	3685953	18858887.5	
3686727	Microsoft Technology Licensing, LLC	09/09/2015	3686727	20162862.5	
3687893	Johnson Outdoors Inc.	24/09/2018	3687893	18857589.8	
3688721	Sony Interactive Entertainment Inc.	12/09/2018	3688721	18773556.8	
3689879	Takeda Pharmaceutical Company Limited	27/09/2018	3689879	18860497.9	
3690016	FUJIFILM Corporation	06/09/2018	3690016	18862222.9	
3690352	DAIKIN INDUSTRIES, LTD.	29/09/2017	3690352	17927042.6	
3692575	QUALCOMM Incorporated	21/08/2018	3692575	18778594.4	
3693425	Resonac Corporation	16/04/2018	3693425	18864527.9	
3694236	Beijing Xiaomi Mobile Software Co., Ltd.	11/10/2017	3694236	17928539.0	
3694965	Unilever Global IP Limited	02/10/2018	3694965	18782061.8	
3695213	Robert Bosch GmbH	26/09/2018	3695213	18779355.9	German
3695256	Luxtera LLC	12/10/2018	3695256	18867026.9	
3695280	Hewlett-Packard Development Company, L.P.	26/07/2018	3695280	18890026.0	
3696721	Topcon Corporation	30/12/2019	3696721	19219997.4	
3698308	Huawei Technologies Co. Ltd.	22/12/2017	3698308	17825542.8	
3698443	Veoneer US Safety Systems, LLC	17/10/2018	3698443	18867529.2	
3698564	Lenovo (Singapore) Pte. Ltd.	17/10/2017	3698564	17791630.1	
3699973	Xi'an Zhongxing New Software Co., Ltd.	10/10/2018	3699973	18868304.9	
3700246	GUANGDONG OPPO MOBILE TELECOMMUNICATIONS CORP., LTD.	25/10/2017	3700246	17929657.9	
3700432	Sree Chitra Tirunal Institute for Medical Sciences & Technology	10/10/2018	3700432	18807438.9	
3701322	Essilor International	19/10/2018	3701322	18789415.9	
3701417	3M Innovative Properties Company	25/10/2018	3701417	18804134.7	
3702792	IMEC vzw Katholieke Universiteit Leuven KU Leuven Research & Development	01/03/2019	3702792	19160202.8	

3703393	GUANGDONG OPPO MOBILE TELECOMMUNICATIONS CORP., LTD.	03/11/2017	3703393	17930229.4	
3703489	GEA Farm Technologies, Inc. GEA Farm Technologies GmbH	02/11/2018	3703489	18804853.2	
3703840	Thermaco, Inc.	31/10/2018	3703840	18873291.1	
3705878	JEOL Ltd.	06/03/2020	3705878	20161623.2	
3706139	CNNC Nuclear Power Operation Management Co., Ltd	30/10/2017	3706139	17929319.6	
3707002	Engico S.r.l.	12/10/2018	3707002	18796497.8	
3709722	Huawei Technologies Co., Ltd.	22/11/2018	3709722	18881008.9	
3710129	Novasep Process Solutions	16/11/2018	3710129	18827161.3	French
3711354	Blu Wireless Technology Limited	18/12/2017	3711354	17822652.8	
3711797	PARI Pharma GmbH	15/12/2014	3711797	20174071.9	
3712447	Hangzhou Clean Dell Sanitary Ware Co., Ltd	23/03/2018	3712447	18878610.7	
3712540	LG Electronics Inc.	13/11/2018	3712540	18876066.4	
3713242	ZTE Corporation	15/10/2014	3713242	20172525.6	
3713804	Waymo LLC	03/12/2018	3713804	18887363.2	
3714819	Gyrus ACMI, Inc. D.B.A. Olympus Surgical Technologies America	30/03/2020	3714819	20166758.1	
3716404	HUAWEI TECHNOLOGIES CO., LTD.	29/12/2018	3716404	18896124.7	
3717389	Bell and Howell, LLC	24/07/2018	3717389	18752936.7	
3717881	KOC Universitesi	30/11/2017	3717881	17933287.9	
3718487	Ethicon LLC	31/03/2017	3718487	20176510.4	
3719369	Crompton Technology Group Limited	02/04/2019	3719369	19275039.6	
3719598	Honeywell International Inc.	26/03/2020	3719598	20166049.5	
3720367	Abboud, Marcus	08/12/2017	3720367	17838122.4	
3720687	Formlabs, Inc.	07/12/2017	3720687	17934081.5	
3721298	Patek Philippe SA Genève	06/12/2018	3721298	18830527.0	French
3722356	Toray Industries, Inc.	27/11/2018	3722356	18885897.1	
3722407	Henkel AG & Co. KGaA	10/04/2019	3722407	19168467.9	
3722565	RTX Corporation	07/04/2020	3722565	20168376.0	
3723778	N.V. Nutricia	07/12/2018	3723778	18816023.8	
3723873	Lumos Holdings US Acquisition Co.	03/12/2018	3723873	18821764.0	
3724565	LG Electronics Inc.	11/12/2018	3724565	18888053.8	
3725460	Makino J Co., Ltd.	15/12/2017	3725460	17934908.9	
3728304	Bachem Holding AG	10/07/2018	3728304	18735611.8	
3728570	The General Hospital Corporation	17/12/2018	3728570	18890804.0	
3728733	Stora Enso Oyj	18/12/2018	3728733	18891550.8	
3728828	Robert Bosch GmbH	05/12/2018	3728828	18815993.3	German
3729154	US Conec, Ltd	19/12/2018	3729154	18890365.2	
3729974	British American Tobacco (Investments) Limited	25/05/2017	3729974	20177584.8	
3730070	Ethicon LLC	24/04/2020	3730070	20171330.2	
3730442	KONE Corporation	26/04/2019	3730442	19171382.5	
3731297	Contemporary Amperex Technology (Hong Kong) Limited	31/12/2019	3731297	19220159.8	
3732029	Latecoere	26/12/2018	3732029	18826087.1	French
3732057	Lamitex S.p.A.	27/12/2018	3732057	18839630.3	
3732480	Dow Technology Investments LLC	21/12/2018	3732480	18836333.7	
3732628	Google LLC	20/05/2019	3732628	19728302.1	
3732839	ORANGE	19/12/2018	3732839	18833981.6	French
3734520	Accenture Global Solutions Limited	01/04/2020	3734520	20167580.8	
3735551	HALLIBURTON ENERGY SERVICES, INC.	03/01/2018	3735551	18898698.8	
3736039	NITTO DENKO CORPORATION	25/09/2019	3736039	19865094.7	
3736332	Gen-Probe Incorporated	26/04/2017	3736332	20176793.6	
3736597	Easymile	06/05/2019	3736597	19315032.3	
3736740	Dassault Systèmes	06/05/2019	3736740	19305579.5	
3736741	Dassault Systèmes	06/05/2019	3736741	19305580.3	
3736868	InnoLux Corporation	04/05/2020	3736868	20172689.0	

3737627	IWK Verpackungstechnik GmbH	08/01/2019	3737627	19701031.7	German
3738145	QUALCOMM INCORPORATED	10/12/2018	3738145	18830104.8	
3738254	QUALCOMM Incorporated	12/12/2018	3738254	18839565.1	
3738617	Germitec	13/05/2020	3738617	20174488.5	
3738850	Hitachi Astemo, Ltd.	21/12/2018	3738850	18899924.7	
3738866	Alucar Oy	06/05/2020	3738866	20173098.3	
3740664	Robert Bosch GmbH	29/11/2018	3740664	18811790.7	German
3741568	Shenzhen Hosonsoft Co., Ltd	16/01/2019	3741568	19741337.0	
3742291	Huawei Device Co., Ltd.	04/12/2014	3742291	19211783.6	
3744086	Apple Inc.	18/01/2019	3744086	19704694.9	
3745573	JTEKT CORPORATION	27/05/2020	3745573	20176811.6	
	TOYOTA JIDOSHA KABUSHIKI KAISHA				
3748568	Visa International Service Association	03/06/2020	3748568	20178104.4	
3748920	Hitachi Astemo, Ltd.	21/12/2018	3748920	18904374.8	
3750042	Samsung Electronics Co., Ltd.	14/06/2019	3750042	19819118.1	
3750874	SHANDONG HAINENG BIOENGINEERING CO., LTD. SHANDONG HAINENG PHARMACEUTICAL CO., LTD.	07/08/2018	3750874	18905419.0	
3751110	Brizuela Fernández, Fernando	08/02/2019	3751110	19751880.6	
3751277	Fraunhofer-Gesellschaft zur Förderung der angewandten Forschung e.V.	11/05/2020	3751277	20173835.8	German
3751406	Samsung Electronics Co., Ltd.	14/11/2012	3751406	20189421.9	
3751561	Google LLC	09/09/2016	3751561	20188901.1	
3751947	GUANGDONG OPPO MOBILE TELECOMMUNICATIONS CORP., LTD.	14/02/2018	3751947	18906646.7	
3752654	Alleima Tube AB	14/02/2019	3752654	19703767.4	
3752880	Microsoft Technology Licensing, LLC	14/03/2019	3752880	19713659.1	
3752955	Five AI Limited	06/06/2019	3752955	19730133.6	
3752993	Tyco Fire & Security GmbH	14/02/2019	3752993	19707130.1	
3752997	Tyco Fire & Security GmbH	14/02/2019	3752997	19711419.2	
3753111	Ciena Corporation	23/05/2019	3753111	19737892.0	
3753658	RTX Corporation	05/06/2020	3753658	20178484.0	
3753688	Samsung Electronics Co., Ltd.	02/04/2019	3753688	19791944.2	
3753743	SCREEN Holdings Co., Ltd.	11/12/2018	3753743	18906032.0	
3754503	Cambricon Technologies Corporation Limited	24/04/2019	3754503	19793238.7	
3754576	Nuctech Company Limited	15/09/2016	3754576	20184337.2	
3755271	Vesalius Cardiovascular Inc.	19/02/2019	3755271	19753938.0	
3755816	Liquid Biopsy Research LLC	21/02/2019	3755816	19709298.4	
3755834	Serge Ferrari SAS	21/02/2019	3755834	19713095.8	French
3755986	Orbion Space Technology, Inc. Michigan Technological University	05/04/2019	3755986	19780743.1	
3756952	Ford Global Technologies, LLC	28/06/2019	3756952	19183140.3	
3757602	Kyocera Corporation	13/02/2019	3757602	19754546.0	
3757748	WESTERN DIGITAL TECHNOLOGIES, INC.	05/03/2020	3757748	20161100.1	
3757942	MBDA France	25/05/2020	3757942	20176380.2	French
3758762	Fidia Farmaceutici S.p.A.	26/02/2019	3758762	19712844.0	
3758994	Jaguar Land Rover Limited	25/02/2019	3758994	19707359.6	
3759022	AVERCON BVBA	05/04/2019	3759022	19722202.9	
3761370	Universal Display Corporation	01/10/2009	3761370	20187523.4	
3762083	CereVasc, Inc.	08/03/2019	3762083	19712483.7	
3762385	Recurium IP Holdings, LLC	26/02/2019	3762385	19764330.7	
3763163	Samsung Electronics Co., Ltd.	16/07/2019	3763163	19836975.3	
3763192	A.I.W.M. Christiaens Holding B.V.	08/07/2020	3763192	20184652.4	
3763216	CSM Bakery Solutions Europe Holding B.V.	08/07/2015	3763216	20187476.5	
3763822	Shanghai CHANDO Group Co., Ltd.	27/02/2019	3763822	19761114.8	

3764148	Commissariat à l'Energie Atomique et aux Energies Alternatives	03/07/2020	3764148	20184027.9	French
3764205	Samsung Display Co., Ltd.	07/07/2020	3764205	20184575.7	
3764664	Analog Devices International Unlimited Company	10/07/2019	3764664	19185513.9	
3765401	Obsidian Sensors, Inc.	14/03/2019	3765401	19714013.0	
3765848	Discovery Life Sciences, LLC	12/03/2019	3765848	19717017.8	
3766218	Senscomm Semiconductor Co., Ltd.	12/03/2019	3766218	19766709.0	
3766842	Heraeus Quarzglas GmbH & Co. KG	17/07/2019	3766842	19186735.7	German
3766965	Zhejiang Huode Bioengineering Company Limited	11/03/2019	3766965	19768309.7	
3766995	JX Advanced Metals Corporation	18/03/2019	3766995	19767564.8	
3767274	EQIOM	16/07/2020	3767274	20186182.0	French
3767282	Institut Photovoltaïque d'Ile de France - IPVF Centre National de la Recherche Scientifique Electricité de France Ecole Polytechnique TotalEnergies OneTech	13/07/2020	3767282	20185506.1	French
3768464	Central Glass Company, Limited	27/02/2019	3768464	19712052.0	
3768698	MultiVir Inc.	19/03/2019	3768698	19850329.4	
3769181	Microsoft Technology Licensing, LLC	13/04/2019	3769181	19722752.3	
3769231	Siemens Aktiengesellschaft	16/04/2019	3769231	19720466.2	
3769361	Mara Nanotech Korea, Inc. Mara Nanotech New York, Inc.	22/03/2019	3769361	19772344.8	
3769689	Tata Consultancy Services Limited	20/03/2020	3769689	20164495.2	
3770217	Polyplastics Co., Ltd.	20/03/2019	3770217	19771376.1	
3770404	Pratt & Whitney Canada Corp.	23/07/2020	3770404	20187526.7	
3772704	Robert Bosch GmbH	15/07/2020	3772704	20185899.0	
3772815	Melexis Bulgaria Ltd.	06/08/2019	3772815	19190292.3	
3772870	Xiamen Eco Lighting Co., Ltd.	06/09/2019	3772870	19195911.3	
3773270	Medi-Tate Ltd.	19/03/2019	3773270	19771954.5	
3773385	DeRoyal Industries, Inc.	26/03/2019	3773385	19774799.1	
3773791	Fresenius Medical Care Deutschland GmbH	08/04/2019	3773791	19717457.6	German
3773855	Becton, Dickinson and Company	19/03/2019	3773855	19715312.5	
3774083	Labcyte Inc.	29/03/2019	3774083	19717093.9	
3774148	Milwaukee Electric Tool Corporation	22/03/2019	3774148	19780821.5	
3774229	The Gillette Company LLC	27/03/2019	3774229	19716719.0	
3774318	Sprick GmbH Bielefelder Papier- und Wellpappenwerke & Co.	26/03/2019	3774318	19714581.6	German
3774744	PTC Therapeutics, Inc.	26/03/2019	3774744	19774800.7	
3774959	ExxonMobil Chemical Patents Inc.	29/03/2019	3774959	19721170.9	
3776158	Samsung Electronics Co., Ltd.	11/06/2019	3776158	19818676.9	
3776173	Microsoft Technology Licensing, LLC	29/04/2019	3776173	19727161.2	
3776451	BOE TECHNOLOGY GROUP CO., LTD.	17/12/2018	3776451	18889945.4	
3776723	Intuitive Surgical Operations, Inc.	28/03/2019	3776723	19774704.1	
3776875	Samsung Electronics Co., Ltd.	18/06/2019	3776875	19821528.7	
3776963	QUALCOMM Incorporated	20/03/2019	3776963	19715650.8	
3777212	Samsung Electronics Co., Ltd.	02/07/2019	3777212	19830340.6	
3777286	HUAWEI TECHNOLOGIES CO., LTD.	13/04/2018	3777286	18718778.6	
3777999	Shenzhen Angel Drinking Water Industrial Group Corporation	15/10/2018	3777999	18919538.1	
3778612	Shanghai Shengyue Pharmaceutical Technology Co., Ltd.	25/03/2019	3778612	19777124.9	
3779379	Mitsubishi Electric Corporation	26/09/2018	3779379	18913256.6	
3780059	Panasonic Intellectual Property Management Co., Ltd.	19/03/2019	3780059	19777142.1	
3781065	Mobius Imaging, LLC	19/04/2019	3781065	19788800.1	
3781879	Copeland LP	19/04/2019	3781879	19789429.8	
3782523	Kimberly-Clark Worldwide, Inc.	03/10/2013	3782523	20198235.2	

3783623	Korea Hydro & Nuclear Power Co., Ltd.	18/04/2019	3783623	19788359.8	
3784191	IVF Hartmann AG	09/04/2019	3784191	19717805.6	German
3784628	The University Court Of The University of Edinburgh	20/06/2019	3784628	19748878.6	
3784786	Laboratory Corporation of America Holdings	24/04/2019	3784786	19732756.2	
3785108	Motorola Solutions, Inc.	16/05/2019	3785108	19728268.4	
3785220	Aselsan Elektronik Sanayi ve Ticaret Anonim Sirketi	27/04/2018	3785220	18804153.7	
3785528	BSH Hausgeräte GmbH	27/07/2020	3785528	20187869.1	German
3785548	San-Ei Gen F.F.I., INC.	23/04/2019	3785548	19792961.5	
3786099	Nuctech Company Limited	27/03/2019	3786099	19792168.7	
3788042	BeiGene Switzerland GmbH	29/04/2019	3788042	19797052.8	
3788483	Graphcore Limited	25/06/2019	3788483	19734050.8	
3788516	ALIBABA GROUP HOLDING LIMITED	24/04/2019	3788516	19793424.3	
3788667	Umicore	02/05/2019	3788667	19722077.5	
3790294	Samsung Electronics Co., Ltd.	04/09/2020	3790294	20194532.6	
3791097	Usonia Labs Limited	10/05/2018	3791097	18726749.7	
3791378	Mentice Inc.	03/05/2019	3791378	19800720.5	
3791999	Nanjing Chervon Industry Co., Ltd.	12/07/2013	3791999	20201232.4	
3792178	Hamilton Sundstrand Corporation	10/09/2020	3792178	20195518.4	
3794215	Geoquest Systems B.V.	14/05/2019	3794215	19803319.3	
3795781	Seat, S.A.	21/09/2020	3795781	20382830.6	
3795866	Hitachi Construction Machinery Co., Ltd.	13/03/2019	3795866	19918611.5	
3799099	Rockwell Automation Technologies, Inc.	14/09/2020	3799099	20196047.3	
3799277	Guangdong Welling Auto Parts Co., Ltd.	27/06/2019	3799277	19826357.6	
3799772	Jiangsu Sarcah Group Co., Ltd.	14/11/2018	3799772	18932567.3	
3799836	Edwards Lifesciences Corporation	03/11/2017	3799836	20202691.0	
3799863	TARIS Biomedical LLC	20/05/2013	3799863	20208452.1	
3800057	Seiko Epson Corporation	31/07/2015	3800057	20200828.0	
3800342	RTX Corporation	01/10/2020	3800342	20199703.8	
3801943	Viant AS&O Holdings, LLC	03/06/2019	3801943	19812609.6	
3801968	Illinois Tool Works, Inc.	31/05/2019	3801968	19731525.2	
3801983	PBMC SA	21/05/2019	3801983	19737215.4	French
3802155	COMPAGNIE GENERALE DES ETABLISSEMENTS MICHELIN	24/05/2018	3802155	18731287.1	
3802598	Boehringer Ingelheim International GmbH	07/06/2019	3802598	19728454.0	
3803137	Viant AS&O Holdings, LLC	04/06/2019	3803137	19815026.0	
3803399	Chronus Health, Inc.	05/06/2019	3803399	19815885.9	
3803710	Lightelligence PTE. Ltd.	04/06/2019	3803710	19732195.3	
3803906	Alpha Tech Research Corp	29/05/2019	3803906	19811120.5	
3803929	University Court Of The University Of Aberdeen	03/06/2019	3803929	19736778.2	
3804591	FOREO AB	07/01/2014	3804591	20212059.8	
3804818	Kidde Technologies, Inc.	02/12/2019	3804818	19212808.0	
3804973	Brianpack S.r.l.	30/09/2020	3804973	20199330.0	
3805698	Aichi Steel Corporation	17/05/2019	3805698	19814551.8	
3806355	BOE TECHNOLOGY GROUP CO., LTD.	16/04/2019	3806355	19819039.9	
3807012	Andreas Hettich GmbH & Co. KG	11/06/2019	3807012	19735218.0	German
3807295	College de France Ecole Normale Supérieure INSTITUT NATIONAL DE LA SANTE ET DE LA RECHERCHE MEDICALE (INSERM) SORBONNE UNIVERSITE Centre National de la Recherche Scientifique (CNRS)	17/06/2019	3807295	19729797.1	
3807987	Mirka Oy	15/06/2018	3807987	18732727.5	
3809431	HUAWEI TECHNOLOGIES CO., LTD.	26/12/2019	3809431	19930245.6	
3809658	Nokia Solutions and Networks Oy	13/10/2020	3809658	20201498.1	

3810285	Enzo Biochem, Inc. Elazar, Rabbani Donegan, James J. Diamond, Paul	21/12/2018	3810285	18924932.9	
3810903	Safran Aero Boosters SA	20/06/2019	3810903	19731293.7	French
3811405	Yangtze Memory Technologies Co., Ltd.	14/09/2018	3811405	18933094.7	
3811617	Samsung Electronics Co., Ltd.	14/10/2019	3811617	19872393.4	
3811718	QUALCOMM Incorporated	19/06/2019	3811718	19737365.7	
3812270	Nipponkayaku Kabushikikaisha	25/06/2019	3812270	19826188.5	
3812718	South East Water Corporation	13/10/2017	3812718	20214348.3	
3813000	Antchain Technology Pte. Ltd.	15/10/2019	3813000	19891559.7	
3814462	The Procter & Gamble Company	27/06/2019	3814462	19740230.8	
3814974	salesforce.com, inc.	23/09/2019	3814974	19787503.2	
3816126	Encapsulae, S.L. Consejo Superior De Investigaciones Científicas	04/06/2019	3816126	19815098.9	
3816552	Arçelik Anonim Sirketi	30/09/2020	3816552	20199410.0	
3817252	INTEL Corporation	29/10/2019	3817252	19205886.5	
3817872	Battelle Memorial Institute	05/07/2019	3817872	19745460.6	
3819015	Shenyang Blower Works Group Nuclear Pump Co. Ltd. China Nuclear Power Engineering Co., Ltd.	02/12/2018	3819015	18925074.9	
3819756	OMRON Corporation	18/06/2019	3819756	19830528.6	
3820855	Novamont S.p.A.	12/07/2019	3820855	19742326.2	
3821234	Sarine Technologies Ltd.	14/07/2019	3821234	19838781.3	
3822407	American Process International LLC	14/05/2020	3822407	20174836.5	
3824836	Erbe Elektromedizin GmbH	22/11/2019	3824836	19210911.4	German
3825498	Ansei Corporation	10/08/2020	3825498	20190279.8	
3825587	Fujikoki Corporation DENSO CORPORATION	03/06/2019	3825587	19837425.8	
3826444	Google LLC	13/11/2020	3826444	20207381.3	
3827249	Schlumberger Technology B.V.	22/07/2019	3827249	19841804.8	
3827638	QUALCOMM Incorporated	22/07/2019	3827638	19840252.1	
3827732	Ankon Medical Technologies (Shanghai) Co., Ltd AnX Robotica Corp.	11/05/2017	3827732	20215215.3	
3828155	Kemijski Institut	23/11/2020	3828155	20209292.0	
3828293	Pangang Group Panzihua Iron & Steel Research Institute Co., Ltd.	24/07/2019	3828293	19840865.0	
3828365	Pumpam Solutions S.L.	19/07/2019	3828365	19778561.1	
3828566	LG Energy Solution, Ltd.	18/12/2019	3828566	19900608.1	
3829462	Boston Scientific Scimed, Inc.	03/07/2019	3829462	19745441.6	
3829900	Pirelli Tyre S.p.A.	25/07/2019	3829900	19755974.3	
3830295	UCL Business Ltd	02/08/2019	3830295	19752243.6	
3831505	AIRBUS OPERATIONS Airbus	02/12/2020	3831505	20211267.8	French
3832024	M.P.M. S.R.L.	11/11/2020	3832024	20206904.3	
3832550	Robert Bosch GmbH Carnegie Mellon University	02/12/2019	3832550	19212867.6	
3832590	Apollo Intelligent Connectivity (Beijing) Technology Co., Ltd.	18/03/2021	3832590	21163317.7	
3832818	HITACHI INDUSTRIAL EQUIPMENT SYSTEMS CO., LTD.	22/04/2019	3832818	19844890.4	
3834089	NetApp, Inc.	08/08/2019	3834089	19759152.2	
3834390	QUALCOMM INCORPORATED	02/08/2019	3834390	19848751.4	
3834745	Ethicon LLC	31/03/2017	3834745	21153563.8	
3835395	ENEOS Corporation	30/07/2019	3835395	19846922.3	
3835528	dormakaba Deutschland GmbH	09/12/2019	3835528	19214422.8	German
3835614	Vapsint S.r.l.	13/12/2019	3835614	19425089.0	
3836386	TOYOTA JIDOSHA KABUSHIKI KAISHA	09/10/2020	3836386	20201150.8	

3836508	Google LLC	13/11/2020	3836508	20207349.0	
3836819	BIBO BRANDS BVBA	16/08/2019	3836819	19752721.1	
3837061	Saarstahl Aktiengesellschaft	14/08/2019	3837061	19759284.3	German
3837103	Bennewitz, Denise	14/08/2019	3837103	19755877.8	German
3837108	3D Systems GmbH	12/08/2019	3837108	19753068.6	German
3837214	NGEE Ann Polytechnic	16/08/2018	3837214	18930412.4	
3837536	Microtrace Pty Limited	15/08/2019	3837536	19849813.1	
3838182	Ethicon LLC	18/12/2020	3838182	20215729.3	
3838262	W. L. Gore & Associates, Inc.	27/03/2018	3838262	21154867.2	
3838900	Shanghai Leado Pharmatech Co. Ltd. Zhangzhou Pien Tze Huang Pharmaceutical Co., Ltd.	16/08/2019	3838900	19849974.1	
3838976	Carbios	19/12/2019	3838976	19218111.3	
3839911	Carrier Corporation	17/12/2019	3839911	19383127.8	
3840931	Niederberger, Anton	23/08/2019	3840931	19801477.1	German
3841363	Advanced Mechanical and Optical Systems	19/08/2019	3841363	19753124.7	
3842034	Aragon Pharmaceuticals, Inc.	03/12/2015	3842034	20209559.2	
3842084	Gambro Lundia AB	23/12/2019	3842084	19219245.8	
3842207	Unilin, BV	01/11/2018	3842207	21158516.1	German
3842364	Sanden Retail Systems Corporation	11/11/2019	3842364	19885166.9	
3842660	Univance Corporation	23/08/2018	3842660	18930755.6	
3842769	Shanghai Teraoka Electronic Co., Ltd. Teraoka Seiko Co., Ltd.	28/02/2019	3842769	19852531.3	
3842778	LG Innotek Co., Ltd.	22/08/2019	3842778	19852257.5	
3842867	CANON KABUSHIKI KAISHA	23/12/2020	3842867	20216833.2	
3842936	Hangzhou Hikvision Digital Technology Co., Ltd.	24/09/2019	3842936	19865424.6	
3842942	BULL SAS	28/12/2020	3842942	20217379.5	French
3843147	VIVO MOBILE COMMUNICATION CO., LTD.	31/07/2019	3843147	19851566.0	
3843376	Sony Semiconductor Solutions Corporation	09/08/2019	3843376	19851664.3	
3843382	YOKOGAWA ELECTRIC CORPORATION	16/12/2020	3843382	20214531.4	
3843797	The University of Sheffield	27/08/2019	3843797	19759722.2	
3843865	Gomez, Eduardo, Roberto	28/08/2018	3843865	18931751.4	
3844200	Bose Corporation	30/08/2019	3844200	19769642.0	
3844449	Alaska Native Tribal Health Consortium	27/08/2019	3844449	19854286.2	
3844520	QUALCOMM INCORPORATED	16/07/2019	3844520	19749053.5	
3845225	Xi'an Libang Zhaoxin Biotechnology Co., Ltd.	10/07/2019	3845225	19856003.9	
3845830	LG Electronics Inc.	01/12/2020	3845830	20211005.2	
3845999	Samsung Electronics Co., Ltd.	03/09/2020	3845999	20194412.1	
3846064	Dassault Systèmes	30/12/2019	3846064	19306792.3	
3848003	Cardiovalve Ltd.	08/08/2017	3848003	21157988.3	
3848034	Astex Therapeutics Limited	26/03/2015	3848034	20213964.8	
3848957	UACJ Corporation	30/08/2019	3848957	19858379.1	
3849403	The University of Massachusetts	12/09/2019	3849403	19786408.5	
3850459	SAFRAN ELECTRONICS & DEFENSE	13/09/2019	3850459	19794178.4	French
3850588	Sony Interactive Entertainment Inc.	04/09/2019	3850588	19766312.3	
3850704	Google LLC	04/10/2019	3850704	19791129.0	
3850867	Squarehead Technology AS	13/09/2019	3850867	19773150.8	
3852582	GPCP IP Holdings LLC	06/08/2019	3852582	19753584.2	
3852644	Universität Zürich	26/03/2019	3852644	19862977.6	
3852868	Virginia Tech Intellectual Properties, Inc.	18/09/2019	3852868	19861489.3	
3852929	Eppendorf SE	20/09/2019	3852929	19774080.6	German
3853536	Qingdao Haier Refrigerator Co., Ltd. Haier Smart Home Co., Ltd. Haier US Appliance Solutions, Inc.	22/10/2019	3853536	19876324.5	
3854185	CONDUCTIVE TRANSFERS LIMITED	13/09/2019	3854185	19779537.0	
3855595	Huawei Digital Power Technologies Co., Ltd.	30/12/2019	3855595	19906014.6	

3856019	Koninklijke Philips N.V.	23/09/2019	3856019	19773803.2	
3856521	ESSILOR INTERNATIONAL	24/09/2019	3856521	19773826.3	
3857217	MSA Technology, LLC	27/09/2019	3857217	19790355.2	
3858022	Lenovo (Beijing) Limited	28/09/2018	3858022	18935751.0	
3858265	Medtronic PS Medical, Inc.	15/04/2015	3858265	20216038.8	
3858348	Cartesian Therapeutics, Inc.	04/06/2014	3858348	20186198.6	
3859238	Hitachi-Johnson Controls Air Conditioning, Inc.	26/09/2018	3859238	18935979.7	
3859244	Mitsubishi Electric Corporation	28/09/2018	3859244	18935245.3	
3859737	Giga-Byte Technology Co., Ltd.	14/05/2020	3859737	21165779.6	
3859761	LG Chem, Ltd.	30/09/2019	3859761	19867167.9	
3859824	Contemporary Ampere Technology (Hong Kong) Limited	05/12/2019	3859824	19932224.9	
3860405	Ubed B.V.	27/09/2019	3860405	19783457.5	
3860471	Kantor, Deborah E. Whiteman, Sherrin	27/09/2019	3860471	19868270.0	
3860781	General Electric Company	04/10/2019	3860781	19877548.8	
3861021	Research Institute at Nationwide Children's Hospital	04/10/2019	3861021	19869388.9	
3861263	LG Electronics Inc.	02/10/2019	3861263	19870035.3	
3861441	Cisco Technology, Inc.	23/09/2019	3861441	19790097.0	
3861692	Huawei Technologies Co., Ltd.	30/10/2019	3861692	19813689.7	
3862080	LG Chem, Ltd.	25/09/2020	3862080	20872812.1	
3862670	LG Electronics Inc.	01/10/2019	3862670	19869273.3	
3862677	LG Electronics Inc.	01/10/2019	3862677	19869502.5	
3864545	Sternum Ltd.	02/10/2019	3864545	19880731.5	
3865293	mitsubishi heavy industries, LTD.	17/12/2019	3865293	19901611.4	
3865899	UTC Fire & Security EMEA BVBA	14/02/2020	3865899	20157419.1	
3867956	Samsung Electronics Co., Ltd.	06/12/2019	3867956	19893252.7	
3868241	Chaei Hsin Enterprise Co., Ltd.	07/12/2020	3868241	20212090.3	
3869156	Shenzhen Yinwang Intelligent Technologies Co., Ltd.	09/12/2019	3869156	19904170.8	
3869350	INTEL Corporation	27/01/2020	3869350	21168276.0	
3869474	HIVE BOX NETWORK TECHNOLOGY LIMITED	04/12/2018	3869474	18937245.1	
3869834	Huawei Technologies Co., Ltd.	20/12/2019	3869834	19906100.3	
3870057	Koninklijke Philips N.V. Philips Image Guided Therapy Corporation	25/10/2019	3870057	19794980.3	
3870631	Trinseo Europe GmbH	25/10/2019	3870631	19797206.0	
3870856	ABB Schweiz AG	22/10/2019	3870856	19790534.2	
3871051	Innophase, Inc.	22/10/2019	3871051	19877252.7	
3871060	Pietro Fiorentini S.p.A.	22/10/2019	3871060	19808638.1	
3872455	TomTom Traffic B.V.	26/05/2015	3872455	21153423.5	
3873312	Kimberly-Clark Worldwide, Inc.	31/10/2018	3873312	18938836.6	
3873803	Safran Seats USA LLC	31/10/2018	3873803	18804197.4	
3874841	QUALCOMM Incorporated	29/10/2019	3874841	19805087.4	
3875736	MTU Aero Engines AG	02/03/2021	3875736	21160256.0	German
3875780	L'AIR LIQUIDE, SOCIÉTÉ ANONYME POUR L'ÉTUDE ET L'EXPLOITATION DES PROCÉDÉS GEORGES CLAUDE	22/02/2021	3875780	21158403.2	French
3875961	Shenzhen Inccare Biotech Co. Ltd	30/10/2018	3875961	18938852.3	
3876515	Sony Group Corporation Sony Semiconductor Solutions Corporation	18/10/2019	3876515	19879266.5	
3876864	Huwais IP Holding LLC	06/11/2019	3876864	19881554.0	
3877096	medmix Switzerland AG	05/12/2019	3877096	19813017.1	
3877323	Polykeg S.r.l.	08/11/2019	3877323	19820843.1	
3877656	Zip Industries (Aust.) Pty Ltd	08/11/2019	3877656	19883254.5	
3877780	Shenzhen Xpectvision Technology Co., Ltd.	06/11/2018	3877780	18939321.8	
3877793	Spectrawave, Inc.	06/11/2019	3877793	19835998.6	
3878123	Lenovo (Beijing) Limited	09/11/2018	3878123	18939395.2	

3879130	TECE GmbH	18/02/2021	3879130	21157796.0	German
3879351	CANON KABUSHIKI KAISHA	30/03/2010	3879351	21162220.4	
3879613	Panasonic Intellectual Property Management Co., Ltd.	07/08/2019	3879613	19881239.8	
3879908	ZTE Corporation	18/09/2019	3879908	19882495.5	
3880330	Signify Holding B.V.	28/10/2019	3880330	19790559.9	
3880537	Shoppacart Pty Ltd.	22/11/2019	3880537	19888378.7	
3880735	ARKEMA FRANCE	15/11/2019	3880735	19828287.3	French
3880905	Zhejiang Huiguan Leisure Products Co., Ltd.	08/11/2019	3880905	19883710.6	
3881708	YKK Corporation	16/11/2018	3881708	18940090.6	
3883187	Juniper Networks, Inc.	04/06/2020	3883187	20178385.9	
3883329	Vodafone IP Licensing Limited	16/03/2020	3883329	20163410.2	
3883360	AgXeed Holding B.V.	20/11/2019	3883360	19820898.5	
3884101	Porr Bau GmbH	21/11/2019	3884101	19808764.5	German
3884153	Wobben Properties GmbH	22/11/2019	3884153	19809428.6	German
3885186	Bambino Prezioso Switzerland AG	17/04/2013	3885186	21174096.4	
3885253	WITTENSTEIN SE	22/03/2021	3885253	21163992.7	German
3885348	Korea Research Institute of Chemical Technology	20/11/2019	3885348	19887212.9	
3886222	Resonac Corporation	22/11/2018	3886222	18940584.8	
3887053	Terex GB Limited	27/11/2019	3887053	19816409.7	
3887057	Dürr Systems AG	05/11/2019	3887057	19800974.8	German
3887884	Corning Research & Development Corporation	14/11/2019	3887884	19818356.8	
3888484	Activa Leisure Inc.	31/12/2020	3888484	20020658.9	
3888721	Fenwal, Inc.	30/03/2021	3888721	21166014.7	
3889604	Institut Pasteur	31/07/2020	3889604	20189060.5	
3889623	Commissariat à l'Energie Atomique et aux Energies Alternatives	29/03/2021	3889623	21165485.0	French
3889637	Beijing Xiaomi Mobile Software Co., Ltd.	05/10/2020	3889637	20200030.3	
3890386	Huawei Technologies Co., Ltd.	27/12/2019	3890386	19908403.9	
3890540	MSA Technology, LLC	02/12/2019	3890540	19891778.3	
3890580	Aktiebolaget Electrolux	07/12/2018	3890580	18825578.0	
3890815	Mallinckrodt Pharmaceuticals Ireland Limited	03/12/2019	3890815	19893012.5	
3890846	KNESTEL Technologie & Elektronik GmbH	03/12/2019	3890846	19817617.4	German
3891108	Pilkington Group Limited	09/12/2019	3891108	19821185.6	
3891817	BOE Technology Group Co., Ltd.	05/12/2018	3891817	18931282.0	
3891985	Huawei Technologies Co., Ltd.	17/12/2019	3891985	19898595.4	
3892389	Kao Corporation	22/11/2019	3892389	19892220.5	
3892977	Huawei Technologies Co., Ltd.	23/12/2019	3892977	19901451.5	
3893022	Maui Imaging, Inc.	20/08/2013	3893022	21175513.7	
3894204	Holweg Group	11/12/2019	3894204	19817711.5	French
3894691	General Electric Renovables España, S.L.	13/12/2018	3894691	18830120.4	
3894753	BSH Hausgeräte GmbH	06/12/2019	3894753	19817658.8	German
3894899	VOLVO TRUCK CORPORATION	29/11/2019	3894899	19809490.6	
3895125	Koninklijke Philips N.V.	06/12/2019	3895125	19813031.2	
3895230	ThyssenKrupp Steel Europe AG	10/12/2019	3895230	19827642.0	German
3895995	Goodrich Lighting Systems GmbH & Co. KG	12/03/2021	3895995	21162313.7	
3896315	Goodrich Corporation	13/04/2021	3896315	21168146.5	
3897012	Samsung Electronics Co., Ltd.	13/02/2020	3897012	20755961.8	
3897271	Ecco Sko A/S	19/12/2019	3897271	19827619.8	
3897291	L'OREAL	09/12/2019	3897291	19828494.5	
3897565	Henkel AG & Co. KGaA	07/11/2019	3897565	19801536.4	German
3897818	Galvani Bioelectronics Limited	13/12/2019	3897818	19835739.4	
3898218	Essity Hygiene and Health Aktiebolag	25/10/2019	3898218	19813237.5	
3898748	Bostik SA	04/12/2019	3898748	19842383.2	French
3899252	VESTAS WIND SYSTEMS A/S	17/12/2019	3899252	19823904.8	

3899488	Shell Internationale Research Maatschappij B.V.	16/12/2019	3899488	19839477.7	
3900234	Nokia Technologies Oy	17/12/2018	3900234	18826584.7	
3900844	LG Energy Solution, Ltd.	09/11/2020	3900844	20887906.4	
3901378	Liebherr-Hydraulikbagger GmbH	24/03/2021	3901378	21164528.8	German
3901873	Deutsche Post AG	21/04/2020	3901873	20170517.5	
3901984	Thermo Fisher Scientific (Bremen) GmbH	19/03/2019	3901984	21172424.0	
3902401	Marel Poultry B.V.	12/12/2019	3902401	19821223.5	
3902463	Endotronix, Inc.	26/12/2019	3902463	19845871.3	
3902649	Etxe-Tar, S.A.	23/12/2019	3902649	19829632.9	
3902728	INTEL Corporation	30/10/2019	3902728	19905689.6	
3903464	Dish Network Technologies India Private Limited Dish Network, L.L.C.	30/12/2019	3903464	19845748.3	
3903491	HUAWEI TECHNOLOGIES CO., LTD.	27/12/2019	3903491	19906544.2	
3903934	LG Chem, Ltd. Korea Advanced Institute of Science and Technology	13/07/2020	3903934	20872585.3	
3903954	Toyo Seikan Co., Ltd.	16/12/2019	3903954	19903694.8	
3904117	Sumitomo Rubber Industries, Ltd.	15/05/2020	3904117	20817948.1	
3904118	Sumitomo Rubber Industries, Ltd.	21/04/2021	3904118	21169659.6	
3904558	Samsung Display Co., Ltd.	28/04/2021	3904558	21171001.7	
3904744	Schneider Electric España, S.A.	27/12/2018	3904744	18944483.9	
3904869	The 59th Institute of China Ordnance Industry	06/12/2019	3904869	19901751.8	
3904935	Nittoh Inc.	16/12/2019	3904935	19901435.8	
3905301	Canon Anelva Corporation	28/12/2018	3905301	18944566.1	
3905646	VIVO MOBILE COMMUNICATION CO., LTD.	13/12/2019	3905646	19903516.3	
3905691	Godo Kaisha IP Bridge 1	20/12/2019	3905691	19905949.4	
3905956	Strataysys Ltd.	30/12/2019	3905956	19839160.9	
3906974	Ficont Industry (Beijing) Co., Ltd.	21/04/2020	3906974	20866734.5	
3907308	Huawei Technologies Co., Ltd.	30/12/2019	3907308	19926234.6	
3907323	Wuxi Little Swan Electric Co., Ltd.	28/04/2019	3907323	19906936.0	
3907421	Tubigomma Deregibus S.r.l. FLUOR TUBING B.V.	29/04/2021	3907421	21171340.9	
3907755	Tahoe Research, Ltd.	21/02/2015	3907755	21170662.7	
3907776	BYD Company Limited	21/06/2019	3907776	19909472.3	
3908001	Zhejiang University	30/12/2019	3908001	19906898.2	
3908817	Tangi0 Limited	24/02/2020	3908817	20708594.5	
3909419	WITASEK Pflanzenschutz GmbH	24/03/2021	3909419	21164572.6	German
3909857	PRATT & WHITNEY CANADA CORP.	17/05/2021	3909857	21174163.2	
3910888	ORANGE	06/05/2021	3910888	21172421.6	French
3911092	ZTE Corporation	10/01/2020	3911092	20738684.8	
3912660	Ascendis Pharma A/S	29/12/2016	3912660	21183153.2	
3912697	Saris Cycling Group, Inc.	19/05/2021	3912697	21174836.3	
3913489	INTEL Corporation	13/11/2020	3913489	20207418.3	
3913630	STMicroelectronics S.r.l. STMicroelectronics International N.V.	21/05/2021	3913630	21175272.0	
3913898	Google LLC	18/10/2016	3913898	21185794.1	
3914517	BW Converting, Inc.	07/01/2020	3914517	20745046.1	
3914958	Apple Inc.	27/07/2020	3914958	20754556.7	
3915356	AGCO International GmbH	13/05/2021	3915356	21173735.8	
3916737	Hill-Rom Services, Inc.	17/09/2014	3916737	21178381.6	
3917084	Huawei Technologies Co., Ltd.	31/12/2014	3917084	21171152.8	
3917443	Lodde, Marius	06/12/2018	3917443	18847255.9	
3918299	Audi AG	19/12/2019	3918299	19832924.5	German
3919101	TERUMO Kabushiki Kaisha	22/03/2019	3919101	19921067.5	
3922295	Roivios Limited	20/07/2016	3922295	21177624.0	
3922358	Puzhen Life Co., Limited	08/06/2021	3922358	21178259.4	
3923053	Sterlite Technologies Limited	14/06/2021	3923053	21179369.0	

3923681	The Boeing Company	09/06/2021	3923681	21178616.5	
3925027	HUTCHINSON	13/02/2020	3925027	20713064.2	French
3925598	Aragon Pharmaceuticals, Inc.	03/12/2015	3925598	21175525.1	
3925647	TERUMO Kabushiki Kaisha	18/02/2020	3925647	20784629.6	
3926661	Infineon Technologies AG	15/06/2020	3926661	20179998.8	
3926757	Outdoor Wireless Networks LLC	16/06/2021	3926757	21179745.1	
3928696	Dynastat Systems Ltd	14/06/2021	3928696	21179256.9	
3928703	Samsung Electronics Co., Ltd.	16/05/2018	3928703	21170695.7	
3929234	Asahi Kasei Kabushiki Kaisha	19/02/2020	3929234	20759027.4	
3930130	Siemens Aktiengesellschaft	26/06/2020	3930130	20182411.7	German
3930421	E.G.O. Elektro-Gerätebau GmbH	14/06/2021	3930421	21179205.6	German
3931183	Ferro Therapeutics, Inc.	27/02/2020	3931183	20712811.7	
3932325	TERUMO Kabushiki Kaisha	23/03/2020	3932325	20784417.6	
3932365	TERUMO Kabushiki Kaisha	27/03/2020	3932365	20778484.4	
3932629	The Boeing Company	10/06/2021	3932629	21178873.2	
3932679	Kostech, Inc.	28/11/2019	3932679	19916590.3	
3933759	Tencent Technology (Shenzhen) Company Limited	25/02/2020	3933759	20762231.7	
3933871	Idec Corporation	24/02/2020	3933871	20763403.1	
3933995	Panasonic Intellectual Property Management Co., Ltd.	21/02/2020	3933995	20762722.5	
3934461	Nicoventures Trading Limited	06/03/2020	3934461	20711279.8	
3934818	Pal S.R.L.	05/03/2020	3934818	20716123.3	
3935337	Desset, Samuel	02/03/2020	3935337	20725805.4	French
3935509	International Business Machines Corporation	06/03/2020	3935509	20709564.7	
3936602	Hitachi High-Tech Corporation	04/03/2019	3936602	19917894.8	
3936691	Federal Signal Vama, S.A.U.	14/06/2021	3936691	21179233.8	
3937131	Aurora Flight Sciences Corporation	15/04/2021	3937131	21168617.5	
3937226	Infineon Technologies AG	06/07/2020	3937226	20184207.7	
3937795	Exact Imaging Inc.	13/03/2020	3937795	20769933.1	
3938157	The Gillette Company LLC	10/03/2020	3938157	20718006.8	
3938265	Siemens Mobility GmbH	02/04/2020	3938265	20724747.9	German
3939246	Lumus Ltd.	13/06/2019	3939246	19918575.2	
3939362	QUALCOMM INCORPORATED	10/03/2020	3939362	20715652.2	
3939436	ABB Schweiz AG Planted Foods AG ETH Zürich	17/07/2020	3939436	20186396.6	
3940324	Hefei Hualing Co., Ltd. Hefei Midea Refrigerator Co., Ltd. Midea Group Co., Ltd.	29/03/2019	3940324	19923291.9	
3940406	Hioki E.E. Corporation	08/07/2021	3940406	21184427.9	
3940442	Jiangxi Lianchuang Electronic Co., Ltd.	21/12/2020	3940442	20907069.7	
3942182	Zevex, Inc.	18/03/2020	3942182	20777088.4	
3942268	Muviq S.r.l.	19/03/2020	3942268	20719491.1	
3942293	Novosound Ltd	27/02/2020	3942293	20709296.6	
3942587	Panasonic Industrial Devices Europe GmbH	05/03/2020	3942587	20709557.1	German
3942630	Livent USA Corp.	18/09/2019	3942630	19779706.1	
3942744	Google LLC	31/05/2019	3942744	19732180.5	
3942866	QUALCOMM INCORPORATED	22/11/2019	3942866	19827884.8	
3943031	Greatbatch Ltd.	23/07/2021	3943031	21187504.2	
3943732	RTX Corporation	27/04/2021	3943732	21170781.5	
3943976	Analog Devices International Unlimited Company	15/07/2021	3943976	21185892.3	
3944087	DENSO CORPORATION	09/03/2020	3944087	20779414.0	
3944218	Axelspace Corporation	02/03/2020	3944218	20774207.3	
3944279	Schneider Electric Industries SAS	19/07/2021	3944279	21186413.7	French
3944379	Contemporary Ampere Technology (Hong Kong) Limited	18/08/2020	3944379	20861587.2	
3944937	Weber Food Technology GmbH	29/07/2020	3944937	20188434.3	
3945794	The Cotter Crate Limited	03/04/2020	3945794	20717623.1	

3945894	Nicoventures Trading Limited	04/04/2019	3945894	19923227.3	
3946492	Solventum Intellectual Properties Company	27/03/2019	3946492	19716734.9	
3947246	Jungheinrich Aktiengesellschaft	14/05/2020	3947246	20726380.7	German
3947410	Fyziologicky ustav AV CR, v.v.i. Ustav organicke chemie a biochemie AV CR, v.v.i.	02/04/2020	3947410	20718527.3	
3948084	Solo Brands, LLC	26/11/2019	3948084	19922139.1	
3948518	Analog Devices, Inc.	29/02/2020	3948518	20777656.8	
3948560	Graphcore Limited	26/03/2020	3948560	20715043.4	
3948943	Marquardt GmbH	27/10/2020	3948943	20800064.6	German
3948949	Commissariat à l'Energie Atomique et aux Energies Alternatives	27/03/2020	3948949	20713057.6	French
3949830	Leica Microsystems NC, Inc.	30/07/2021	3949830	21188709.6	
3950625	Panasonic Intellectual Property Management Co., Ltd.	05/03/2020	3950625	20781852.7	
3951115	Kevington Building Products Limited	05/08/2021	3951115	21189929.9	
3951215	Subaru Corporation Excell Corporation	10/12/2019	3951215	19921675.5	
3951472	Leica Microsystems CMS GmbH	05/08/2020	3951472	20189614.9	
3951752	Panasonic Intellectual Property Management Co., Ltd.	27/02/2020	3951752	20777939.8	
3951837	Changxin Memory Technologies, Inc.	10/03/2021	3951837	21768606.2	
3951864	Huawei Technologies Co., Ltd.	31/12/2019	3951864	19926058.9	
3952119	Huawei Technologies Co., Ltd.	27/03/2020	3952119	20809974.7	
3952157	ZTE Corporation	26/02/2020	3952157	20783957.2	
3952486	GUANGDONG OPPO MOBILE TELECOMMUNICATIONS CORP., LTD.	14/05/2019	3952486	19928445.6	
3953261	Wilhelm Bahmüller Maschinenbau-Präzisionswerkzeuge GmbH	12/03/2020	3953261	20711144.4	German
3954360	Glycomine, Inc.	16/09/2014	3954360	21185152.2	
3955037	Huawei Technologies Co., Ltd.	31/12/2019	3955037	19927484.6	
3955119	Google LLC	18/06/2015	3955119	21199377.9	
3955749	The American University in Cairo	05/05/2020	3955749	20802634.4	
3956663	Institut National de la Santé et de la Recherche Médicale (INSERM) CENTRE NATIONAL DE LA RECHERCHE SCIENTIFIQUE (CNRS) Université d'Aix Marseille	14/04/2020	3956663	20716858.4	
3957154	GTS Do Brasil Ltda.	09/04/2020	3957154	20787362.1	
3958056	Sony Group Corporation	14/04/2020	3958056	20792181.8	
3958311	Excellence Optoelectronics Inc.	19/08/2021	3958311	21192105.1	
3958493	Nokia Solutions and Networks Oy	18/01/2013	3958493	21173277.1	
3959037	ACP Systems AG	24/03/2020	3959037	20715787.6	German
3959594	Microsoft Technology Licensing, LLC	30/03/2020	3959594	20720685.5	
3960056	Miele & Cie. KG	15/07/2021	3960056	21185704.0	German
3960313	Wewatz, Stefan	06/08/2021	3960313	21190036.0	German
3960355	Illinois Tool Works Inc.	28/07/2021	3960355	21188247.7	
3960692	Beijing Geekplus Technology Co., Ltd.	24/12/2019	3960692	19926162.9	
3961041	LG Electronics Inc.	06/05/2021	3961041	21172398.6	
3961213	Hangzhou ShineDo Biotech Co., Ltd.	22/04/2020	3961213	20796306.7	
3961287	BMG Labtech GmbH	31/08/2021	3961287	21193949.1	German
3961935	Huawei Technologies Co., Ltd.	13/11/2018	3961935	21187853.3	
3962822	Trivium Packaging Group Netherlands B.V.	30/04/2020	3962822	20730101.1	
3962993	Chevron Phillips Chemical Company LP	21/04/2020	3962993	20724363.5	
3963194	Waygate Technologies USA, LP	22/04/2020	3963194	20798950.0	
3963632	Yangtze Memory Technologies Co., Ltd.	27/04/2020	3963632	20933097.6	
3963733	Fraunhofer-Gesellschaft zur Förderung der angewandten Forschung e.V.	14/04/2020	3963733	20717210.7	
3964144	Covidien LP	07/09/2021	3964144	21195347.6	
3964174	Edwards Lifesciences Corporation	20/08/2018	3964174	21197849.9	
3964267	B/E Aerospace Systems GmbH	07/09/2020	3964267	20194882.5	

3964455	Isanimar Seguridad, S.L.	30/04/2020	3964455	20798048.3	
3964846	Siemens Mobility GmbH	25/08/2021	3964846	21193021.9	German
3965644	Baxter International Inc. BAXTER HEALTHCARE SA	08/05/2020	3965644	20729425.7	
3965759	Sanovel Ilac Sanayi ve Ticaret A.S.	07/04/2020	3965759	20806518.5	
3965844	Solventum Intellectual Properties Company	05/05/2020	3965844	20729328.3	
3966533	Roxar Flow Measurement AS	06/05/2020	3966533	20724474.0	
3966744	Google LLC	15/12/2020	3966744	20841808.7	
3966961	Samsung Electronics Co., Ltd.	23/10/2020	3966961	20878187.2	
3968322	Sony Group Corporation	29/09/2010	3968322	21204344.2	
3968503	General Electric Company	18/08/2021	3968503	21192025.1	
3969449	Novartis AG	12/05/2020	3969449	20726561.2	
3969451	UCL Business Ltd	15/05/2020	3969451	20728161.9	
3969630	ArcelorMittal	13/05/2020	3969630	20725953.2	
3970167	Raytheon Company University Of Massachusetts	03/04/2020	3970167	20723626.6	
3970177	Ellenberger & Poensgen GmbH	16/04/2020	3970177	20719629.6	German
3970438	QUALCOMM Incorporated	23/04/2020	3970438	20724714.9	
3970692	Omnivision GmbH	18/09/2020	3970692	20196886.4	
3970811	Letow, Nikolai	14/09/2021	3970811	21196459.8	German
3970930	Brian Knudsen Holding, Randers ApS	22/09/2020	3970930	20197432.6	
3971014	Zhuzhou CRRC Times Electric Co., Ltd.	21/10/2019	3971014	19937172.5	
3971395	RTX Corporation	28/04/2017	3971395	21208242.4	
3971713	INTEL Corporation	16/08/2021	3971713	21191559.0	
3971815	NTT DOCOMO, INC.	20/05/2020	3971815	20847417.1	
3972123	Lennox Industries Inc.	15/09/2021	3972123	21196835.9	
3972263	Accenture Global Solutions Limited	07/09/2021	3972263	21195306.2	
3972533	Edwards Lifesciences Corporation	18/05/2020	3972533	20731671.2	
3972698	Solventum Intellectual Properties Company	18/05/2020	3972698	20727722.9	
3973117	Intex Marketing Ltd.	21/05/2020	3973117	20808672.8	
3973118	Intex Marketing Ltd.	21/05/2020	3973118	20809142.1	
3973198	Penn Engineering & Manufacturing Corp.	19/05/2020	3973198	20808797.3	
3973545	Verb Surgical Inc.	24/05/2019	3973545	19929816.7	
3973821	Henglin Home Furnishings Co., Ltd.	08/05/2020	3973821	20809209.8	
3973840	BSH Hausgeräte GmbH	13/08/2021	3973840	21191215.9	German
3973879	GE Precision Healthcare LLC	13/09/2021	3973879	21196435.8	
3973881	Hologic, Inc.	24/09/2021	3973881	21198811.8	
3974319	AMI Industries, Inc.	22/09/2021	3974319	21198208.7	
3974758	INTEL Corporation	25/08/2021	3974758	21193107.6	
3974886	Kyocera Corporation	25/06/2020	3974886	20831984.8	
3974902	Bosch Thermotechnology Ltd (UK)	17/08/2021	3974902	21191598.8	
3975405	Chipone Technology (Beijing) Co., Ltd.	17/12/2020	3975405	20913988.0	
3975614	Beijing Xiaomi Mobile Software Co., Ltd.	23/05/2019	3975614	19929975.1	
3975647	GUANGDONG OPPO MOBILE TELECOMMUNICATIONS CORP., LTD.	14/06/2019	3975647	19932773.5	
3975657	Beijing Xiaomi Mobile Software Co., Ltd.	23/05/2019	3975657	19929719.3	
3975858	Koninklijke Philips N.V.	25/05/2020	3975858	20728014.0	
3975876	Covidien LP	31/05/2019	3975876	19931465.9	
3975952	Alcon Inc.	27/05/2020	3975952	20729834.0	
3976144	Imperial Tobacco Limited	22/05/2020	3976144	20727295.6	
3977354	Saint-Gobain Pam Canalisation	29/05/2020	3977354	20728076.9	French
3977371	VDV Eticket Service GmbH & Co. KG	29/05/2020	3977371	20729729.2	German
3977556	Ticra Fond	27/05/2020	3977556	20727341.8	
3977680	Microsoft Technology Licensing, LLC	21/04/2020	3977680	20724378.3	
3978159	WAFIOS Aktiengesellschaft	27/09/2021	3978159	21199099.9	German
3978352	Brunswick Corporation	17/12/2019	3978352	21206812.6	
3978380	Van Genechten Packaging N.V.	04/10/2021	3978380	21200751.2	German
3978459	Plymag, S.L.	08/05/2020	3978459	20831731.3	
3978600	Shanghai Celliver Biotechnology Co., Ltd. Shanghai Cryowise Medical Technology Co., Ltd.	24/04/2020	3978600	20830058.2	

3978754	Copeland Climate Technologies (Suzhou) Co., Ltd.	25/05/2020	3978754	20812649.0	
3978818	Aereco	30/09/2021	3978818	21200309.9	French
3978892	Promoción y Desarrollo de Sistemas Automáticos S.L.U.	03/06/2019	3978892	19740606.9	
3978939	ZTE Corporation	02/06/2020	3978939	20840505.0	
3979033	Beijing Institute of Control Engineering	22/11/2019	3979033	19938363.9	
3979442	Francisquini, Melquisedec	26/05/2020	3979442	20814415.4	
3979897	Pupil Labs GmbH	26/05/2020	3979897	20728489.4	
3980312	Siemens Mobility GmbH	30/06/2020	3980312	20739893.4	German
3980470	Hewlett-Packard Development Company, L.P.	10/06/2019	3980470	19932433.6	
3980641	ElringKlinger AG	06/05/2020	3980641	20724105.0	German
3981875	Stemcell Technologies Inc.	05/05/2017	3981875	21209583.0	
3982159	Navico Holding AS	07/09/2018	3982159	21206503.1	
3982340	GLORY LTD.	09/04/2020	3982340	20818315.2	
3982548	Beammwave AB	09/10/2020	3982548	20200969.2	
3982549	Beammwave AB	09/10/2020	3982549	20200971.8	
3982687	Huawei Technologies Co., Ltd.	03/07/2020	3982687	20837740.8	
3982834	DIURIFLUX MEDICAL SA	17/06/2020	3982834	20740387.4	
3983148	Stolle Machinery Company, LLC	01/06/2020	3983148	20821633.3	
3984415	Gessi S.P.A.	15/10/2020	3984415	20202153.1	
3984420	Guangzhou Yike Trading Co., Ltd.	12/05/2020	3984420	20804926.2	
3984432	BSH Hausgeräte GmbH	05/10/2021	3984432	21200879.1	German
3984653	LG Energy Solution, Ltd.	18/03/2021	3984653	21770473.3	
3984840	Valeo Systèmes d'Essuyage	16/10/2020	3984840	20202433.7	
3987172	VESTAS WIND SYSTEMS A/S	18/06/2020	3987172	20740529.1	
3987721	Centurylink Intellectual Property LLC	01/06/2020	3987721	20761362.1	
3988407	Hitachi Astemo, Ltd.	05/06/2020	3988407	20827000.9	
3988741	Jiangsu Shemar Electric Co., Ltd.	06/08/2021	3988741	21798926.8	
3989244	TOYOTA JIDOSHA KABUSHIKI KAISHA	03/09/2021	3989244	21194761.9	
3989819	Stryker Corporation	25/06/2020	3989819	20832618.1	
3990590	TotalEnergies OneTech	25/06/2020	3990590	20734043.1	French
3990920	Dovetail Genomics, LLC	25/06/2020	3990920	20833334.4	
3990967	Lumus Ltd.	25/06/2020	3990967	20833453.2	
3991533	Kubota Corporation	20/05/2020	3991533	20833468.0	
3991923	Seiko Epson Corporation	25/10/2021	3991923	21204428.3	
3992008	Nifco Inc.	16/06/2020	3992008	20832968.0	
3993851	SANOFI	25/06/2020	3993851	20735147.9	
3994039	Robert Bosch GmbH	28/04/2020	3994039	20722553.3	German
3994812	QUALCOMM Incorporated	30/06/2020	3994812	20740481.5	
3995561	Infineum International Limited	23/09/2021	3995561	21198678.1	
3995820	JEOL Ltd.	04/11/2021	3995820	21206472.9	
3996059	Carrier Corporation	08/11/2021	3996059	21207019.7	
3996351	F5, INC.	18/10/2021	3996351	21203086.0	
3996720	Chemvet Australia Pty Ltd	07/07/2020	3996720	20838886.8	
3997095	Canopy Growth Corporation	10/07/2020	3997095	20841410.2	
3997710	Stryker Corporation	10/07/2020	3997710	20836524.7	
3998972	Warsaw Orthopedic, Inc.	14/07/2020	3998972	20841084.5	
3999204	Daimler Truck AG	13/07/2020	3999204	20739982.5	German
3999258	Powerhouse Energy Group PLC	20/07/2020	3999258	20751208.8	
3999575	Dow Global Technologies LLC	30/06/2020	3999575	20754411.5	
3999885	Viavi Solutions Inc.	16/07/2020	3999885	20753660.8	
3999992	Siemens Aktiengesellschaft	17/09/2019	3999992	19778872.2	
4000198	Microsoft Technology Licensing, LLC	18/05/2020	4000198	20731306.5	
4000413	Red Bull GmbH	20/11/2020	4000413	20209032.0	German
4000678	Esculon, LLC	03/03/2017	4000678	21218126.7	
4000778	SUMITOMO ELECTRIC INDUSTRIES, LTD. Sumitomo Electric Hardmetal Corp.	17/07/2020	4000778	20841032.4	

4001482	Tsudakoma Kogyo Kabushiki Kaisha	28/10/2021	4001482	21205361.5	
4001551	COSNET	17/11/2021	4001551	21208662.3	French
4001782	Guangdong Giwee Technology Co., Ltd.	22/11/2021	4001782	21209485.8	
4001860	ISHIDA CO., Ltd.	27/10/2021	4001860	21204979.5	
4002094	Nokia Technologies Oy	20/11/2020	4002094	20208974.4	
4002126	C - R I S E (C-RISE LTD.)	15/05/2020	4002126	20792912.6	
4002178	INTEL Corporation	26/02/2019	4002178	22151703.0	
4002449	STMicroelectronics Sdn Bhd	03/11/2021	4002449	21206106.3	
4002717	Wilson Electronics, LLC	15/11/2021	4002717	21208289.5	
4002722	HUAWEI TECHNOLOGIES CO., LTD.	21/03/2016	4002722	22150028.3	
4002949	Huawei Technologies Co., Ltd.	15/03/2016	4002949	21202566.2	
4003253	Carl Freudenberg KG	10/07/2020	4003253	20740573.9	German
4003793	Continental Automotive Technologies GmbH	09/07/2020	4003793	20750590.0	German
4003887	Anheuser-Busch InBev S.A.	29/07/2020	4003887	20745222.8	
4004436	Signify Holding B.V.	28/07/2020	4004436	20747396.8	
4004498	VEGA Grieshaber KG	30/07/2019	4004498	19752658.5	German
4004742	Hewlett-Packard Development Company, L.P.	31/07/2019	4004742	19939401.6	
4004825	Samsung Electronics Co., Ltd.	04/12/2020	4004825	20898630.7	
4005539	Slimmingo Group	10/09/2019	4005539	19940124.1	
4005842	Mazda Motor Corporation	09/11/2021	4005842	21207235.9	
4006605	CommScope Connectivity Belgium BVBA ADC Czech Republic, s.r.o.	16/09/2015	4006605	21203456.5	
4006851	Quadient Technologies France	30/11/2020	4006851	20210547.4	
4007078	Zhongtian Radio Frequency Cable Co., Ltd	08/05/2021	4007078	21857011.7	
4007680	Roboeatz, Sia	28/08/2020	4007680	20771934.5	
4008023	Cowles Semi, LLC	13/07/2020	4008023	20849634.9	
4008693	Tung Chang Machinery and Engineering Co., Ltd.	07/12/2020	4008693	20212311.3	
4008975	Panasonic Intellectual Property Management Co., Ltd.	26/11/2021	4008975	21210744.5	
4009061	Tokyo Electron Limited	29/11/2021	4009061	21210985.4	
4009111	Ricoh Company, Ltd.	23/11/2021	4009111	21209857.8	
4009161	Wobben Properties GmbH	07/12/2020	4009161	20212077.0	German
4009202	Sony Group Corporation	04/09/2020	4009202	20865092.9	
4009230	China Nuclear Power Technology Research Institute Co., Ltd. China General Nuclear Power Corporation CGN Power Co., Ltd.	30/06/2020	4009230	20859284.0	
4009607	Amazon Technologies, Inc.	12/04/2018	4009607	21196283.2	
4010169	Hewlett-Packard Development Company, L.P.	06/08/2019	4010169	19940923.6	
4010197	Microsoft Technology Licensing, LLC	10/06/2020	4010197	20750539.7	
4011227	Toray Industries (HongKong) Ltd. (THK) Toray Industries, Inc.	04/08/2020	4011227	20850819.2	
4011296	Industrial Technology Research Institute	09/11/2021	4011296	21207045.2	
4011630	Canon Production Printing Holding B.V.	14/12/2020	4011630	20213931.7	
4011881	Wuxi Biocity Biopharmaceutics Co., Ltd.	06/08/2020	4011881	20851028.9	
4012786	Commissariat à l'Energie Atomique et aux Energies Alternatives	09/12/2021	4012786	21213344.1	French
4012952	UUCOM Co., Ltd.	05/08/2020	4012952	20852019.7	
4013278	Omachron Intellectual Property Inc.	05/08/2020	4013278	20851992.6	
4013927	Wobben Properties GmbH	11/08/2020	4013927	20757847.7	German
4014232	Samsung Electronics Co., Ltd.	22/05/2020	4014232	20914932.7	
4014518	ZTE Corporation	15/08/2019	4014518	19941311.3	
4014634	GUANGDONG OPPO MOBILE TELECOMMUNICATIONS CORP., LTD.	20/11/2020	4014634	20890616.4	
4014833	Ningbo Eye Hospital	31/08/2021	4014833	21194134.9	
4015788	KNESTEL Technologie & Elektronik GmbH	14/12/2021	4015788	21214420.8	German

4015795	General Electric Company	30/09/2021	4015795	21200313.1	
4015935	Ritter Energie- und Umwelttechnik GmbH & Co. KG	16/12/2021	4015935	21215131.0	German
4016085	Tecan Trading AG	21/12/2020	4016085	20216046.1	
4016185	Coretronic Corporation	25/10/2021	4016185	21204510.8	
4016189	CANON KABUSHIKI KAISHA	08/12/2021	4016189	21213042.1	
4016951	Atos Public Safety LLC	18/12/2020	4016951	20215566.9	
4017446	Solventum Intellectual Properties Company	11/08/2020	4017446	20757412.0	
4018129	BSH Hausgeräte GmbH	05/08/2020	4018129	20753907.3	German
4018255	Tectus Corporation	27/08/2020	4018255	20856717.2	
4018287	INTEL Corporation	01/07/2020	4018287	20856699.2	
4018421	Nero Endüstri Savunma Sanayi Anonim Sirketi	06/12/2019	4018421	19922223.3	
4018588	Telefonaktiebolaget LM Ericsson (publ)	24/08/2020	4018588	20764477.4	
4018921	Commissariat à l'Energie Atomique et aux Energies Alternatives	22/12/2021	4018921	21217209.2	French
4019407	Rohr, Inc.	21/12/2021	4019407	21216399.2	
4019412	Goodrich Corporation	21/12/2021	4019412	21216353.9	
4019578	Gulec ARGE Ltd. Sti. Gulec Chemicals GmbH	23/12/2020	4019578	20217030.4	
4020126	Intel Corporation	20/09/2021	4020126	21197626.1	
4020436	Max Co., Ltd.	23/12/2021	4020436	21217558.2	
4021348	Edwards Lifesciences Corporation	24/08/2020	4021348	20767676.8	
4021356	Resmed Corp. ResMed Sensor Technologies Limited ResMed Pty Ltd	28/08/2020	4021356	20776260.0	
4021735	Bundesdruckerei GmbH	31/07/2020	4021735	20750258.4	German
4021848	ZEG Power AS	19/08/2020	4021848	20768417.6	
4022716	Huawei Technologies Co., Ltd.	18/09/2019	4022716	19795079.3	
4023078	Me In Gold Co., Ltd.	10/08/2020	4023078	20859275.8	
4023452	BROTHER KOGYO KABUSHIKI KAISHA	15/09/2020	4023452	20872473.2	
4023521	VOLKSWAGEN AG	14/12/2021	4023521	21214570.0	German
4023551	Changinaviation Co., Ltd	26/06/2020	4023551	20849311.4	
4023779	Fushun Special Steel Shares Co., Ltd. Gaona Aero Material Co., Ltd.	11/03/2020	4023779	20771183.9	
4023920	Jungwoo Metal Ind. Co., Ltd.	12/03/2020	4023920	20710408.4	
4023969	BSH Hausgeräte GmbH	15/12/2021	4023969	21214764.9	
4024045	Dionex Corporation	20/12/2021	4024045	21215873.7	
4024341	THALES	30/12/2021	4024341	21218337.0	French
4024984	GUANGDONG OPPO MOBILE TELECOMMUNICATIONS CORP., LTD.	08/11/2019	4024984	19951506.5	
4025121	Koninklijke Philips N.V.	01/09/2020	4025121	20767990.3	
4025335	Unilever Global IP Limited	25/08/2020	4025335	20760863.9	
4025995	Microsoft Technology Licensing, LLC	17/06/2020	4025995	20751812.7	
4026030	Morgan Stanley Services Group Inc.	24/08/2020	4026030	20860215.1	
4026046	Computime Ltd.	03/09/2020	4026046	20775122.3	
4026786	Zhuhai Ding Rong Plastic Products Co., Ltd	05/09/2019	4026786	19944339.1	
4027144	GENENTECH, INC.	05/12/2018	4027144	22157356.1	
4027263	Hand Held Products, Inc.	08/04/2016	4027263	22155668.1	
4027598	Huawei Cloud Computing Technologies Co., Ltd.	04/09/2020	4027598	20909186.7	
4027658	Oticon A/S	13/12/2021	4027658	21214059.4	
4027701	TELEFONAKTIEBOLAGET LM ERICSSON (PUBL)	27/09/2018	4027701	22157730.7	
4028195	Tecna S.p.A.	04/09/2020	4028195	20765289.2	
4028210	Bavius Technologie GmbH	10/08/2020	4028210	20754712.6	German
4028785	Raytheon Company	02/06/2020	4028785	20734456.5	
4028852	Targus International LLC	17/08/2020	4028852	20862297.7	
4029390	Shenzhen Smoore Technology Limited	17/12/2021	4029390	21215431.4	
4030286	Microsoft Technology Licensing, LLC	28/12/2017	4030286	22161103.1	

4030954	NIKE Innovate C.V.	17/09/2020	4030954	20786118.8	
4031375	Eastman Kodak Company	09/09/2020	4031375	20780821.3	
4032016	Tata Consultancy Services Limited	09/03/2020	4032016	20866587.7	
4032082	Alcon Inc.	18/09/2020	4032082	20864434.4	
4032694	Hueck Rheinische GmbH	18/02/2020	4032694	22160709.6	German
4033182	QINGDAO HAIER REFRIGERATOR CO., LTD. HAIER SMART HOME CO., LTD. AQUA CO., LTD	17/09/2020	4033182	20866814.5	
4033677	Tesat Spacecom GmbH & Co. KG	18/11/2021	4033677	21209000.5	German
4033835	Wilus Institute of Standards and Technology Inc.	04/05/2020	4033835	20798002.0	
4034555	King's College London	23/09/2020	4034555	20788997.3	
4035016	ALIBABA GROUP HOLDING LIMITED	18/09/2020	4035016	20870151.6	
4035642	Dietz GmbH	28/01/2022	4035642	22153816.8	German
4035856	Instituto Politécnico De Leiria	16/06/2021	4035856	21179863.2	
4036333	Oceanwell (Xiamen) Industrial Co., Ltd.	17/01/2022	4036333	22151793.1	German
4037171	Power Electronics España, S.L.	27/10/2021	4037171	21205009.0	
4037609	Universite d'Aix Marseille Assistance Publique Hôpitaux de Marseille Université Gustave Eiffel	05/10/2020	4037609	20797039.3	
4038593	Sensormatic Electronics, LLC	30/09/2020	4038593	20793508.1	
4038610	Google LLC	02/12/2019	4038610	19824155.6	
4038709	Plumettaz Holding S.A.	28/09/2020	4038709	20781361.9	
4038857	Siden, Inc.	29/09/2020	4038857	20793221.1	
4038933	Apple Inc.	07/11/2019	4038933	19951518.0	
4039567	Tencent Technology (Shenzhen) Company Limited	13/05/2021	4039567	21838701.7	
4039693	Nagase Viita Co., Ltd.	02/10/2020	4039693	20871615.9	
4040795	Pluto Inc.	13/02/2015	4040795	22161199.9	
4040834	mitsubishi electric CORPORATION	27/09/2016	4040834	22165439.5	
4040855	Nokia Technologies Oy	08/02/2021	4040855	21155803.6	
4040871	Samsung Electronics Co., Ltd.	08/10/2020	4040871	20874549.7	
4040976	Solen Cikolata Gida Sanayi Ve Ticaret Anonim Sirketi	26/06/2020	4040976	20889904.7	
4041038	Versuni Holding B.V.	25/09/2020	4041038	20776178.4	
4042094	Raytheon Company	08/06/2020	4042094	20829707.7	
4042379	Hover Inc.	12/10/2020	4042379	20874354.2	
4042571	Xilinx, Inc.	17/08/2020	4042571	20762021.2	
4042778	QUALCOMM INCORPORATED	30/09/2020	4042778	20796674.8	
4042820	QUALCOMM INCORPORATED	08/10/2020	4042820	20797942.8	
4042987	Coloplast A/S	20/12/2018	4042987	22160616.3	
4043497	LG Chem, Ltd.	10/08/2021	4043497	21880289.0	
4043774	Min, Byung Soo	19/08/2020	4043774	20872429.4	
4044755	Huawei Technologies Co., Ltd.	03/12/2020	4044755	20900056.1	
4044841	RAI Strategic Holdings, Inc.	15/10/2020	4044841	20797567.3	
4045487	FMC CORPORATION FMC IP Technology GmbH	16/10/2020	4045487	20804379.4	
4045719	The Great Bubble Barrier B.V.	14/10/2020	4045719	20792500.9	
4045992	Baidu.com Times Technology (Beijing) Co., Ltd. Baidu USA LLC	20/03/2020	4045992	20925643.7	
4045995	Microsoft Technology Licensing, LLC	17/09/2020	4045995	20780890.8	
4046182	Lam Research Corporation	13/10/2020	4046182	20875841.7	
4046209	Samsung Display Co., Ltd.	13/10/2020	4046209	20789139.1	
4046269	Siemens Gamesa Renewable Energy Innovation & Technology S.L.	03/12/2020	4046269	20824136.4	
4046380	Tencent America LLC	27/05/2021	4046380	21876146.8	
4046406	ORANGE	30/09/2020	4046406	20793029.8	French
4046408	Samsung Electronics Co., Ltd.	18/11/2020	4046408	20900922.4	

4047360	JFE Steel Corporation	15/12/2020	4047360	20901834.0	
4047399	Inphotech Spolka z Ograniczona Odpowiedzialnoscia	15/12/2014	4047399	22157418.9	
4048053	Vogelsang GmbH & Co. KG	21/10/2020	4048053	20796557.5	German
4048102	KT&G Corporation	12/07/2021	4048102	21841302.9	
4048184	CMR Surgical Limited	21/10/2020	4048184	20800250.1	
4049048	JENOPTIK Optical Systems GmbH	19/06/2020	4049048	20740227.2	German
4049844	Canon Kabushiki Kaisha	23/12/2021	4049844	21217385.0	
4050178	Paulussen Houthandel B.V.	24/11/2021	4050178	21210252.9	
4050443	Kabushiki Kaisha Yaskawa Denki	21/02/2022	4050443	22157725.7	
4050898	BEIJING BYTEDANCE NETWORK TECHNOLOGY CO., LTD.	18/11/2020	4050898	20891626.2	
4050965	Huawei Technologies Co., Ltd.	19/11/2019	4050965	19953532.9	
4051590	Safran Seats	22/10/2020	4051590	20792670.0	French
4051691	Ariel Scientific Innovations Ltd.	28/10/2020	4051691	20883605.6	
4051876	ASF Technologies (Australia) Pty Ltd	29/10/2020	4051876	20881761.9	
4052220	Corning Incorporated	29/10/2020	4052220	20811830.7	
4052348	Marshall Group AB (publ)	28/10/2020	4052348	20799675.2	
4053509	TE Connectivity Smart Grid GmbH	07/01/2022	4053509	22150586.0	
4054023	Nio Technology (Anhui) Co., Ltd	02/03/2022	4054023	22159596.0	
4054159	Apple Inc.	24/02/2022	4054159	22158563.1	
4055956	Sharp Kabushiki Kaisha	09/11/2020	4055956	20884107.2	
4056448	ALSTOM Holdings	07/03/2022	4056448	22160586.8	French
4056637	Asahi Kasei Kabushiki Kaisha	07/11/2019	4056637	19951364.9	
4057061	Sony Group Corporation	02/12/2020	4057061	20903560.9	
4057120	Huawei Technologies Co., Ltd.	03/12/2020	4057120	20900518.0	
4057418	LG Energy Solution, Ltd.	20/07/2021	4057418	21861888.2	
4057880	Samsung Electronics Co., Ltd.	31/03/2021	4057880	21793092.4	
4058132	Calyan Technologies, Inc.	09/11/2020	4058132	20887687.0	
4058707	Neoperl GmbH	10/11/2020	4058707	20804272.1	German
4058771	Siemens Aktiengesellschaft	27/11/2020	4058771	20824112.5	
4058913	Visa International Service Association	12/11/2020	4058913	20888476.7	
4059417	Bard Access Systems, Inc.	27/04/2018	4059417	22171109.6	
4059524	Blue Ocean Robotics Aps	24/03/2021	4059524	21164647.6	
4059604	National Yang Ming Chiao Tung University	08/03/2022	4059604	22160746.8	
4060175	NISSAN MOTOR CO., LTD.	15/11/2019	4060175	19952154.3	
4060657	Samsung Electronics Co., Ltd.	01/12/2021	4060657	21211649.5	
4060805	CommScope Italy S.r.l.	15/03/2022	4060805	22162021.4	
4061649	Continental Automotive Technologies GmbH	10/11/2020	4061649	20806945.0	
4061779	SCHOTT AG	20/11/2020	4061779	20811321.7	
4062456	Hanwha Q CELLS GmbH	18/11/2020	4062456	20842175.0	German
4062683	QUALCOMM INCORPORATED	19/11/2020	4062683	20825300.5	
4063250	SRAM Deutschland GmbH	06/12/2019	4063250	22020216.2	German
4063939	Beijing Institute Of Technology Huawei Technologies Co., Ltd.	24/12/2020	4063939	20905433.7	
4064852	Fable Holdings Pty Ltd	25/03/2021	4064852	21775049.6	
4064892	Nicoventures Trading Limited	27/11/2020	4064892	20816465.7	
4065377	Alves, Antonio	26/11/2020	4065377	20815954.1	French
4065478	SIG Services AG	21/10/2020	4065478	20799638.0	German
4065487	G.D S.p.A.	05/11/2020	4065487	20803958.6	
4066890	RaySearch Laboratories AB	31/03/2021	4066890	21166245.7	
4067293	Mitsubishi Logisnext Co., Ltd.	25/11/2021	4067293	21210400.4	
4067635	PRATT & WHITNEY CANADA CORP.	01/04/2022	4067635	22166404.8	
4067658	EBARA CORPORATION	24/03/2022	4067658	22164110.3	
4067814	Teledyne FLIR Commercial Systems, Inc.	24/03/2022	4067814	22164119.4	
4067973	GUANGDONG OPPO MOBILE TELECOMMUNICATIONS CORP., LTD.	24/11/2020	4067973	20896603.6	
4068035	Murata Machinery, Ltd.	18/09/2020	4068035	20891453.1	
4068283	Dolby International AB	07/10/2016	4068283	22169941.6	

4068717	Huawei Cloud Computing Technologies Co., Ltd.	30/12/2020	4068717	20910742.4	
4068828	Apple Inc.	29/08/2019	4068828	22174704.1	
4068860	HUAWEI TECHNOLOGIES CO., LTD.	25/12/2019	4068860	19957495.5	
4068871	Huawei Technologies Co., Ltd.	17/12/2019	4068871	19956606.8	
4069382	Universiteit Gent	01/12/2020	4069382	20812353.9	
4069972	Solis Herrera, Arturo	02/12/2020	4069972	20820565.8	
4070572	Huawei Technologies Co., Ltd.	20/12/2019	4070572	19832120.0	
4070607	QUALCOMM INCORPORATED	26/11/2020	4070607	20897529.2	
4070669	Trisco ICAP Pty Ltd	06/09/2017	4070669	22164855.3	
4070848	CARMAT	08/03/2022	4070848	22160696.5	French
4071948	Huawei Digital Power Technologies Co., Ltd.	09/12/2020	4071948	20904357.9	
4072052	Huawei Technologies Co., Ltd.	31/12/2019	4072052	19958416.0	
4072210	KT Corporation	06/04/2022	4072210	22167007.8	
4072218	GUANGDONG OPPO MOBILE TELECOMMUNICATIONS CORP., LTD.	28/04/2020	4072218	20921618.3	
4072347	Nicoventures Trading Limited	08/12/2020	4072347	20845439.7	
4072374	Axon Enterprise, Inc.	11/12/2020	4072374	20898319.7	
4073148	Merz Pharma GmbH & Co. KGaA	08/12/2020	4073148	20819752.5	
4073201	TotalEnergies OneTech	11/12/2019	4073201	19848939.5	
4073372	Aerojet Rocketdyne, Inc.	10/12/2019	4073372	19832788.4	
4073408	Kernkraftwerk Gösgen-Däniken AG	08/12/2020	4073408	20817027.4	
4073428	Signify Holding B.V.	08/12/2020	4073428	20821176.3	
4073611	Texas Instruments Incorporated	07/12/2020	4073611	20900413.4	
4073629	Shenzhen Yinwang Intelligent Technologies Co., Ltd.	31/12/2019	4073629	19958728.8	
4073882	Veea, Inc.	07/12/2020	4073882	20829134.4	
4074211	Cupbrella UG	12/04/2022	4074211	22167841.0	German
4074933	Elmer, Hubert Elmer, Nataliya Scharnagl, Josef	22/03/2022	4074933	22163445.4	German
4075135	Illumina, Inc.	19/04/2018	4075135	22177086.0	
4075173	G2B CO., LTD.	25/11/2020	4075173	20898441.9	
4075862	Huawei Technologies Co., Ltd.	31/12/2019	4075862	19958520.9	
4075904	GUANGDONG OPPO MOBILE TELECOMMUNICATIONS CORP., LTD.	10/12/2019	4075904	19955894.1	
4076196	Elekta Limited	16/12/2020	4076196	20839250.6	
4076203	Koninklijke Philips N.V.	11/12/2020	4076203	20821208.4	
4076224	United States Endoscopy Group, Inc.	17/12/2020	4076224	20842422.6	
4076732	ARKEMA FRANCE	18/12/2020	4076732	20848849.4	French
4076861	Cognibotics AB	07/12/2020	4076861	20817014.2	
4076886	Eaton Intelligent Power Limited	09/12/2020	4076886	20853597.1	
4078203	KNORR-BREMSE Systeme für Nutzfahrzeuge GmbH	08/12/2020	4078203	20824154.7	German
4078212	Google LLC	19/12/2019	4078212	19839585.7	
4078436	Continental Autonomous Mobility Germany GmbH	08/12/2020	4078436	20841884.8	German
4078771	IFP Energies nouvelles	03/12/2020	4078771	20815882.4	French
4079089	Qualcomm Incorporated	09/12/2020	4079089	20838718.3	
4079364	Fundación para la Investigación Biomédica del Hospital Universitario 12 de Octubre	17/12/2020	4079364	20903291.1	
4079410	Burgess, Alan W.	14/04/2022	4079410	22168309.7	
4079670	TMT Machinery, Inc.	12/04/2022	4079670	22167871.7	
4079830	MARTEEN SPORTS WORLD, S.L.	19/04/2021	4079830	21382335.4	
4080079	Thiel, Karl	31/03/2022	4080079	22166201.8	German
4080103	Maquet (Suzhou) Co. Ltd.	18/06/2020	4080103	20901783.9	
4080210	DENSO CORPORATION	14/04/2022	4080210	22168385.7	
4080265	Leica Instruments (Singapore) Pte Ltd	14/04/2022	4080265	22168482.2	
4080983	ZTE Corporation	09/11/2020	4080983	20900880.4	
4081013	CNH Industrial Belgium NV	09/12/2020	4081013	20835936.4	

4081271	Universiteit Antwerpen Universitair Ziekenhuis Antwerpen	23/12/2020	4081271	20839101.1	
4081502	Dompé farmaceutici SpA	21/12/2020	4081502	20839009.6	
4081684	Stora Enso Oyj	22/12/2020	4081684	20904498.1	
4081697	GeoQuest Systems B.V.	18/12/2020	4081697	20905127.5	
4081795	Waters Technologies Corporation	18/12/2020	4081795	20842471.3	
4082156	Somfy Activites SA	22/12/2020	4082156	20833904.4	French
4082797	KONICA MINOLTA, INC.	25/12/2019	4082797	19957131.6	
4083222	Kyowa Pharma Chemical Co., Ltd.	25/12/2020	4083222	20907000.2	
4083286	Feng, Jialin Feng, Tianyuan Wu, Youqun	30/12/2020	4083286	20913491.5	
4083341	Xiamen Huierjie Sanitary Ware Technology Co., Ltd.	29/03/2022	4083341	22165174.8	
4083545	L'Air Liquide, société anonyme pour l'Étude et l'Exploitation des procédés Georges Claude	01/04/2021	4083545	21315060.0	
4083581	Krohne AG	26/04/2022	4083581	22170082.6	German
4083770	Apple Inc.	25/01/2018	4083770	22178872.2	
4084198	LG Energy Solution, Ltd.	13/08/2021	4084198	21856301.3	
4084477	LG Electronics Inc.	24/12/2020	4084477	20908208.0	
4084518	Canon Kabushiki Kaisha	16/12/2020	4084518	20906839.4	
4084561	Apple Inc.	21/04/2022	4084561	22169246.0	
4084599	Agco Corporation	08/10/2020	4084599	20793472.0	
4084967	Bridgestone Americas Tire Operations, LLC	16/11/2020	4084967	20909980.3	
4085519	ABB SCHWEIZ AG	17/12/2020	4085519	20824574.6	
4085748	Agco Corporation	03/05/2022	4085748	22171423.1	
4085886	LK Mahnke GmbH & Co., KG	22/03/2022	4085886	22163411.6	German
4086452	Doosan Enerbility Co., Ltd.	14/04/2022	4086452	22168307.1	
4086606	The U.S.A. as represented by the Secretary, Department of Health and Human Services Oshetski, Michael	29/09/2017	4086606	22169969.7	
4086719	Gebhardt Fördertechnik GmbH	13/02/2019	4086719	22178360.8	German
4086720	Gebhardt Fördertechnik GmbH	13/02/2019	4086720	22178363.2	German
4087103	InDriveTec AG	03/05/2021	4087103	21171873.9	German
4087698	PALBIT S.A.	11/01/2021	4087698	21704938.6	
4088237	Cambridge Blockchain, Inc.	06/01/2021	4088237	21738131.8	
4088416	Apple Inc.	03/04/2021	4088416	21867888.6	
4088953	Continental Reifen Deutschland GmbH	09/12/2021	4088953	21213361.5	German
4089584	Commissariat à l'Energie Atomique et aux Energies Alternatives	10/05/2021	4089584	21305599.9	
4091307	Huawei Technologies Co., Ltd.	20/01/2020	4091307	20701556.1	
4091544	Kurin, Inc.	27/12/2017	4091544	22181212.6	
4091724	Ricoh Company, Ltd.	22/04/2022	4091724	22169391.4	
4091920	Blue Technologies BV	18/05/2021	4091920	21174418.0	German
4092042	CJ CheilJedang Corporation	28/04/2021	4092042	21870499.7	
4092061	Japan Fine Coatings Co., Ltd.	15/01/2021	4092061	21741615.5	
4092421	Boditech Med Inc.	28/04/2022	4092421	22170439.8	
4092971	Melexis Technologies NV	18/05/2022	4092971	22173936.0	
4093017	Arnold & Richter Cine Technik GmbH & Co. Betriebs KG	13/05/2022	4093017	22173178.9	German
4093020	CANON KABUSHIKI KAISHA	18/02/2022	4093020	22157603.6	
4093637	HPL-Neugnadenfelder Maschinenfabrik GmbH	30/11/2021	4093637	21824510.8	German
4093995	Continental Automotive Technologies GmbH	09/12/2020	4093995	20817401.1	German
4094045	Second Bridge Inc.	15/01/2021	4094045	21700239.3	
4094067	Ishida Europe Limited	21/01/2021	4094067	21702071.8	
4094112	Iolight Limited	23/12/2020	4094112	20838270.5	
4094494	Apple Inc.	06/04/2021	4094494	21873700.5	

4094621	CTK Cosmetics Co., Ltd.	03/03/2020	4094621	20915833.6	
4094957	Continental Reifen Deutschland GmbH	07/12/2021	4094957	21212776.5	German
4095299	Nippon Kodoshi Corporation	25/01/2021	4095299	21744723.4	
	DuPont Safety & Construction, Inc.				
4095345	Nice S.p.A.	24/05/2022	4095345	22175056.5	
4095547	Carrier Corporation	17/05/2022	4095547	22173733.1	
4095956	Hyundai Motor Company	18/10/2021	4095956	21203261.9	
	Kia Corporation				
4096040	Imasen Electric Industrial Co., Ltd.	07/12/2020	4096040	20915202.4	
4096524	Centre For Addiction And Mental Health	20/02/2020	4096524	20916321.1	
	Memotext Corporation				
4098214	Neuravi Limited	01/06/2022	4098214	22176611.6	
4098560	Airbus Operations GmbH	31/05/2021	4098560	21176814.8	German
4098642	THALES	02/06/2022	4098642	22176934.2	French
4098892	Pilosio S.r.l.	23/05/2022	4098892	22174902.1	
4098922	Dyka B.V.	30/05/2022	4098922	22176068.9	
4099756	GUANGDONG OPPO MOBILE TELECOMMUNICATIONS CORP., LTD.	18/09/2018	4099756	22186498.6	
4101094	QUALCOMM INCORPORATED	18/12/2020	4101094	20845288.8	
4101411	BEIJING HURWA ROBOT MEDICAL TECHNOLOGY CO., LTD. BEIJING HURWA ROBOT TECHNOLOGY CO., LTD.	29/07/2021	4101411	21913065.5	
4102030	General Electric Technology GmbH	27/05/2022	4102030	22175934.3	
4102531	ALSTOM Holdings	10/06/2022	4102531	22178309.5	French
4102540	Hitachi High-Tech Corporation	02/12/2020	4102540	20917847.4	
4102702	MITSUBISHI ELECTRIC CORPORATION	07/02/2020	4102702	20917364.0	
4104934	Systems Bioengineering Limited	14/06/2021	4104934	21179368.2	German
4105103	Siemens Mobility GmbH	06/04/2022	4105103	22166893.2	German
4105379	LG Electronics Inc.	30/05/2022	4105379	22176088.7	
4106111	Vorwerk & Co. Interholding GmbH	13/05/2022	4106111	22173314.0	German
4106640	Cilag GmbH International	28/05/2021	4106640	21730170.4	
4106771	Neilos S.r.l.	17/02/2021	4106771	21711957.7	
4107474	Sigvaris AG	30/03/2021	4107474	21717342.6	German
4107499	Vitesco Technologies Germany GmbH	17/12/2020	4107499	20837985.9	German
4107532	Allegro MicroSystems, LLC	06/01/2021	4107532	21702551.9	
4108173	Pacesetter, Inc.	21/04/2022	4108173	22169210.6	
4108184	VHMED (NANTONG) CO. LTD.	25/08/2020	4108184	20914761.0	
4108202	RIVERFIELD Inc.	02/04/2020	4108202	20928986.7	
4108727	Dow Toray Co., Ltd.	19/02/2021	4108727	21756227.1	
4108728	Dow Toray Co., Ltd.	19/02/2021	4108728	21756630.6	
4108975	HEBS B.V.	20/06/2022	4108975	22179965.3	
4109033	Wilcox Industries Corp.	13/06/2022	4109033	22178572.8	
4109155	Commscope Technologies LLC	20/02/2013	4109155	22187535.4	
4109656	Jiangsu Contemporary Amperex Technology Limited	16/08/2021	4109656	21868372.0	
4109817	Okie Electric Industry Co., Ltd.	18/05/2022	4109817	22174043.4	
4109923	Samsung Electronics Co., Ltd.	04/04/2022	4109923	22166574.8	
4110132	L'OREAL	26/02/2021	4110132	21712929.5	
4110197	Cilag GmbH International	29/11/2021	4110197	21819598.0	
4110199	Cilag GmbH International	29/11/2021	4110199	21819977.6	
4111729	TELEFONAKTIEBOLAGET LM ERICSSON (PUBL)	24/02/2021	4111729	21708187.6	
4111788	QUALCOMM INCORPORATED	26/02/2021	4111788	21714603.4	
4112007	HOYA CORPORATION	24/12/2020	4112007	20921255.4	
4112148	Melissa & Doug, LLC	30/06/2022	4112148	22182086.3	
4112437	Chodai Co., Ltd.	10/06/2022	4112437	22178291.5	
	Waterfront Real Estate Co., Ltd				
4112474	Airbus Operations SAS	24/06/2022	4112474	22181100.3	French
	Airbus Operations GmbH				

4112571	Macotec S.R.L.	03/05/2022	4112571	22171377.9	
4112593	Daikin Industries, Ltd. OSAKA UNIVERSITY	24/02/2021	4112593	21761593.9	
4112872	Spex Corporate Holdings Limited	16/08/2019	4112872	22192229.7	
4113023	Devatec	01/07/2021	4113023	21305910.8	French
4113219	Montres Breguet S.A.	29/06/2021	4113219	21182417.2	French
4113225	OMRON Corporation	26/05/2022	4113225	22175658.8	
4113293	OMRON Corporation	27/05/2022	4113293	22175936.8	
4113835	Raytheon Company	21/11/2017	4113835	22192119.0	
4114133	Sharp Kabushiki Kaisha	09/11/2018	4114133	22190987.2	
4114709	thyssenkrupp Presta AG thyssenkrupp AG	01/03/2021	4114709	21708982.0	German
4115755	Shenzhen Smoore Technology Limited	30/06/2022	4115755	22182225.7	
4115959	Molcaworld, S.L.	30/05/2022	4115959	22176067.1	
4115999	SUMITOMO METAL MINING CO., LTD.	15/02/2021	4115999	21764783.3	
4116095	TOPPAN INC.	11/11/2021	4116095	21931925.8	
4116196	Nipponkayaku Kabushikikaisha	22/02/2021	4116196	21765155.3	
4116354	Henkel AG & Co. KGaA	07/07/2021	4116354	21184147.3	
4117316	Polaris Industries Inc.	17/12/2018	4117316	22152036.4	
4117542	Cilag GmbH International	23/02/2022	4117542	22707861.5	
4117998	SCA Investments Limited	01/03/2021	4117998	21709793.0	
4118286	REYNAERS ALUMINIUM naamloze vennootschap	10/03/2021	4118286	21711054.3	
4118506	Aurora Operations, Inc.	11/03/2021	4118506	21715441.8	
4118934	Samsung Electronics Co., Ltd.	04/11/2021	4118934	21889579.5	
4119073	Wawrzyniak, Michael Joseph	15/07/2022	4119073	22185274.2	
4119279	Panasonic Intellectual Property Management Co., Ltd.	11/03/2021	4119279	21768853.0	
4119303	LG Electronics, Inc.	09/03/2021	4119303	21767370.6	
4119586	Shandong Focusfreda Biotech Co., Ltd	28/02/2022	4119586	22782444.8	
4119779	ebm-papst Mulfingen GmbH & Co. KG	13/06/2022	4119779	22178636.1	German
4119908	Technische Universität Ilmenau, Körperschaft des Öffentlichen Rechts	08/07/2022	4119908	22183790.9	German
4119991	Commissariat à l'Energie Atomique et aux Energies Alternatives	06/07/2022	4119991	22183225.6	French
4120118	E-Tag Rfid Pte. Ltd.	14/07/2021	4120118	21185461.7	
4120127	Magic Leap, Inc.	23/03/2018	4120127	22194043.0	
4120441	LG Energy Solution, Ltd.	09/08/2021	4120441	21869540.1	
4120456	Shenzhen Hithium Energy Storage Technology Co., Ltd. Xiamen Hithium Energy Storage Technology Co., Ltd.	11/03/2021	4120456	21848979.7	
4121573	Yeda Research and Development Co. Ltd	18/03/2021	4121573	21717563.7	
4122125	Telefonaktiebolaget LM Ericsson (publ)	20/03/2020	4122125	20713597.1	
4122383	THE REGENTS OF THE UNIVERSITY OF CALIFORNIA Bruin Biometrics, LLC	06/05/2011	4122383	22172497.4	
4123466	INTEL Corporation	20/07/2022	4123466	22185893.9	
4124322	Ho, Chin-Hsuan	29/07/2022	4124322	22187766.5	
4124389	Siebec	30/06/2022	4124389	22182128.3	French
4124538	Nabtesco Corporation	22/07/2022	4124538	22186517.3	
4124567	Dassault Aviation	21/07/2022	4124567	22186198.2	French
4124870	Honeywell International Inc.	14/07/2022	4124870	22184848.4	
4124927	Seo, Byeong Chan	18/11/2021	4124927	21918103.9	
4125736	Ottobock SE & Co. KGaA	31/03/2021	4125736	21716372.4	German
4126745	Konecranes Global Corporation	23/03/2020	4126745	20927013.1	
4127656	Palas GmbH Partikel-und Lasermesstechnik	29/03/2021	4127656	21717769.0	German
4127696	King Abdullah University of Science and Technology	09/03/2021	4127696	21714394.0	
4127784	Chevron U.S.A. Inc.	18/03/2021	4127784	21774482.0	
4128216	Google LLC	15/12/2020	4128216	20839478.3	

4128545	ALL.SPACE NETWORKS LIMITED	01/04/2021	4128545	21718210.4	
4128709	BlackBerry Limited	03/04/2020	4128709	20730479.1	
4129676	Denka Company Limited	06/09/2021	4129676	21864466.4	
4130216	Daikin Industries, Ltd.	22/03/2021	4130216	21774538.9	
4130413	Somfy Activites SA	04/08/2022	4130413	22188669.0	French
4130822	Axenic Limited	19/12/2017	4130822	22191775.0	
4131631	Contemporary Amperex Technology (Hong Kong) Limited	29/10/2021	4131631	21913437.6	
4132183	KT Corporation	11/05/2021	4132183	21803184.7	
4132804	VDL Weweler B.V.	07/04/2021	4132804	21717059.6	
4133891	Telefonaktiebolaget LM Ericsson (publ)	08/04/2021	4133891	21719273.1	
4134060	iWALKFree, Inc.	19/12/2012	4134060	22189498.3	
4134213	Ranpak Corp.	06/04/2017	4134213	22188389.5	
4134440	Kabushiki Kaisha Yakult Honsha	06/04/2021	4134440	21784192.3	
4134490	BAUER Maschinen GmbH	12/08/2021	4134490	21191054.2	German
4134789	Roku, Inc.	13/03/2017	4134789	22199652.3	
4135124	Samsung Electronics Co., Ltd.	19/12/2018	4135124	22199500.4	
4135318	Google LLC	24/07/2020	4135318	22199549.1	
4136357	Centre National d'Études Spatiales	15/04/2021	4136357	21725574.4	French
4137006	Hefei Midea Refrigerator Co., Ltd. Hefei Hualing Co., Ltd. Midea Group Co., Ltd.	29/12/2021	4137006	21931350.9	
4137093	Shanqian (Zhuhai) Biomaterials Technology Co., Ltd.	16/04/2021	4137093	21788092.1	
4138665	Quantum Innovations Sp. z o. o.	20/04/2021	4138665	21731602.5	
4139058	Koninklijke Philips N.V.	16/04/2021	4139058	21719130.3	
4139171	DAF Trucks N.V.	19/04/2021	4139171	21720591.3	
4139554	think and vision GmbH	06/04/2021	4139554	21718071.0	German
4139844	Volvo Autonomous Solutions AB	20/04/2020	4139844	20720804.2	
4139845	Volvo Autonomous Solutions AB	20/04/2020	4139845	20720805.9	
4140749	Hewlett-Packard Development Company, L.P.	13/07/2018	4140749	22201714.7	
4140753	FUJIFILM Business Innovation Corp.	01/04/2022	4140753	22166229.9	
4140769	The Goodyear Tire & Rubber Company	16/08/2022	4140769	22190654.8	
4140981	Kumiai Chemical Industry Co., Ltd.	16/04/2021	4140981	21793717.6	
4140998	Henan Selkin Biomedical Technology Co., LTD	14/12/2021	4140998	21905708.0	
4141419	Sony Group Corporation	06/04/2021	4141419	21793499.1	
4144665	BlackBerry Limited	30/08/2022	4144665	22192912.8	
4144953	Itrec B.V.	03/03/2014	4144953	22202008.3	
4144992	Trane International Inc.	01/06/2017	4144992	22190656.3	
4145158	LG Energy Solution, Ltd.	07/12/2021	4145158	21903819.7	
4145282	Huawei Cloud Computing Technologies Co., Ltd.	19/04/2019	4145282	22200715.5	
4145528	BOE Technology Group Co., Ltd.	06/11/2020	4145528	20960434.7	
4145543	Seoul Viosys Co., Ltd.	26/04/2017	4145543	22203445.6	
4145583	BYD Company Limited	17/05/2021	4145583	21812195.2	
4145767	Webshare Software Company	06/09/2022	4145767	22194079.4	
4146428	Fritz Winter Eisengiesserei GmbH & Co. KG	05/05/2021	4146428	21725439.0	German
4147014	Illinois Tool Works, Inc.	23/03/2021	4147014	21718432.4	
4147197	Koninklijke Philips N.V.	03/05/2021	4147197	21722236.3	
4147830	Honda Research Institute Europe GmbH	08/09/2021	4147830	21195517.4	
4148277	Pentair, Inc.	09/09/2022	4148277	22194878.9	
4148751	Matrix Design Group, LLC	02/05/2019	4148751	22196578.3	
4148978	Schneider Electric Industries SAS	09/09/2022	4148978	22306336.3	
4148980	BluBase B.V.	12/09/2022	4148980	22195172.6	
4149202	Nokia Technologies Oy	09/09/2021	4149202	21195677.6	
4149312	Nike Innovate C.V.	12/05/2021	4149312	21730033.4	

4149576	INSTITUT NATIONAL DE LA SANTE ET DE LA RECHERCHE MEDICALE - INSERM Université de Strasbourg	14/05/2020	4149576	20726104.1	
4149751	Trützschler Group SE Voith Patent GmbH	20/04/2021	4149751	21721034.3	German
4150260	BSH Hausgeräte GmbH	05/05/2021	4150260	21726566.9	German
4151414	RISO Technologies Corporation	13/07/2022	4151414	22184691.8	
4151416	CANON KABUSHIKI KAISHA	16/09/2021	4151416	21197240.1	
4151419	Seiko Epson Corporation	16/09/2022	4151419	22196039.6	
4151494	ALSTOM Holdings	19/09/2022	4151494	22196357.2	French
4151909	SILVERLINE Endüstri ve Ticaret A.S.	16/09/2022	4151909	22196094.1	German
4152012	Allegro MicroSystems, LLC	26/02/2014	4152012	22202446.5	
4152207	SES RFID Solutions GmbH	04/07/2022	4152207	22182803.1	
4152530	UAB "Ekspla"	15/09/2021	4152530	21196873.0	
4152880	LG Electronics Inc.	01/08/2022	4152880	22800558.3	
4152981	JT International SA	15/05/2021	4152981	21727405.9	
4153068	Cilag GmbH International	28/05/2021	4153068	21729520.3	
4153480	Safran Landing Systems	19/05/2021	4153480	21727441.4	French
4153529	Heineken Supply Chain B.V.	19/05/2021	4153529	21727614.6	
4154232	Essence Security International (E.S.I.) Ltd.	12/07/2021	4154232	21748967.3	
4154247	Google LLC	03/05/2021	4154247	21727328.3	
4154680	Watlow Electric Manufacturing Company	19/05/2021	4154680	21732697.4	
4154989	LG Energy Solution, Ltd.	07/07/2021	4154989	21841381.3	
4155027	Saint-Gobain Abrasives, Inc. Saint-Gobain Abrasifs	08/05/2009	4155027	22204694.8	
4155081	RISO Technologies Corporation	22/07/2022	4155081	22186584.3	
4155086	Hewlett-Packard Development Company, L.P.	13/07/2018	4155086	22206688.8	
4155128	Kyocera Corporation	24/11/2017	4155128	22206620.1	
4155192	Airbus Operations, S.L.U.	28/09/2021	4155192	21382870.0	
4155753	NXP B.V.	13/12/2021	4155753	21214097.4	
4155940	Graid Technology Inc.	19/07/2022	4155940	22185820.2	
4156019	Honor Device Co., Ltd.	10/05/2022	4156019	22797611.5	
4156047	BAOSHAN IRON & STEEL CO., LTD.	22/06/2021	4156047	21832761.7	
4156500	Contemporary Amperex Technology (Hong Kong) Limited	13/08/2021	4156500	21904629.9	
4156650	Ricoh Company, Ltd.	22/09/2022	4156650	22197119.5	
4157720	Safran Cabin Inc.	02/06/2020	4157720	20760628.6	
4157947	Rohm and Haas Company	16/04/2021	4157947	21725288.1	
4158162	Mercedes-Benz Group AG	19/05/2021	4158162	21728185.6	German
4158240	Signify Holding B.V.	25/05/2021	4158240	21728211.0	
4158727	General Radar Corp.	26/05/2021	4158727	21817204.7	
4159120	Aristotle University of Thessaloniki - Elke	29/09/2021	4159120	21386060.4	
4159324	Subaru Corporation	09/08/2022	4159324	22189548.5	
4159999	SIEC BADAWCZA LUKASIEWICZ- INSTYTUT LOTNICTWA	29/09/2022	4159999	22198801.7	
4160199	Depixus	04/10/2021	4160199	21306384.5	
4160303	BOE (Hebei) Mobile Display Technology Co., Ltd. BOE Technology Group Co., Ltd.	13/04/2021	4160303	21813346.0	
4161231	ZTE Corporation	10/08/2021	4161231	21855533.2	
4161675	Metso Finland Oy	03/06/2020	4161675	20939084.8	
4161724	The M.K. Morse Company	07/06/2021	4161724	21817040.5	
4161873	Chevron U.S.A. Inc.	18/05/2021	4161873	21727574.2	
4163202	The Boeing Company	27/07/2022	4163202	22187265.8	
4163467	Shih, Chang-I	09/06/2020	4163467	20940276.7	
4163896	Honda Research Institute Europe GmbH HONDA MOTOR CO., LTD.	08/10/2021	4163896	21201585.3	
4164002	Contemporary Amperex Technology (Hong Kong) Limited	25/08/2021	4164002	21935439.6	

4164040	LG Energy Solution, Ltd.	08/09/2021	4164040	21869624.3	
4164204	Honor Device Co., Ltd.	08/04/2022	4164204	22813874.9	
4164777	Gambro Lundia AB	15/06/2021	4164777	21732063.9	
4164936	thyssenkrupp Presta AG thyssenkrupp AG	08/06/2021	4164936	21731977.1	German
4165027	Justesa Imagen S.A.U.	10/06/2021	4165027	21733395.4	
4165391	Cerema	16/06/2021	4165391	21733781.5	French
4165420	TWAICE Technologies GmbH	12/10/2021	4165420	21794118.6	German
4166174	Aptar Radolfzell GmbH	15/10/2021	4166174	21202966.4	German
4167612	Shenzhen Idata Technology Company Ltd.	07/07/2021	4167612	21948797.2	
4168225	DMG MORI Ultrasonic Lasertec GmbH	17/06/2021	4168225	21736980.0	German
4169337	Samsung Electronics Co., Ltd.	23/07/2021	4169337	21847423.7	
4169995	Nalinv Nanotechnology (Shanghai) Co., Ltd.	03/03/2022	4169995	22798049.7	
4170810	Techtronic Cordless GP	07/10/2022	4170810	22200336.0	
4171957	ECO3 BV	10/06/2021	4171957	21731776.7	
4172402	Versuni Holding B.V.	15/06/2021	4172402	21733426.7	
4172710	Leolabs, Inc.	23/06/2021	4172710	21742634.5	
4173102	Google LLC	31/08/2020	4173102	20772474.1	
4173326	ORANGE	24/06/2021	4173326	21748904.6	French
4173830	KONICA MINOLTA, INC.	24/06/2020	4173830	20941886.2	
4173960	Honeywell International Inc.	12/10/2022	4173960	22201149.6	
4174269	AISIN CORPORATION	28/10/2022	4174269	22204482.8	
4174412	Qingdao Haier Refrigerator Co., Ltd. Haier Smart Home Co., Ltd.	04/08/2021	4174412	21857506.6	
4175312	Arnold & Richter Cine Technik GmbH & Co. Betriebs KG	10/10/2022	4175312	22200623.1	German
4175756	The Western States Machine Company	28/06/2021	4175756	21745589.8	
4175856	DAF Trucks N.V.	02/07/2021	4175856	21737201.0	
4176094	Yeda Research and Development Co. Ltd	01/07/2021	4176094	21742187.4	
4176479	Audi AG	08/06/2021	4176479	21731142.2	German
4176788	Vorwerk & Co. Interholding GmbH	05/11/2021	4176788	21206602.1	German
4177173	Shanghai Autoflight Co., Ltd.	08/11/2022	4177173	22206045.1	
4177591	Honor Device Co., Ltd.	19/08/2022	4177591	22808572.6	
4178290	Vivo Mobile Communication Co., Ltd.	30/06/2021	4178290	21832553.8	
4178579	MetrioPharm AG	08/07/2021	4178579	21755360.1	
4178816	ZF Friedrichshafen AG	23/06/2021	4178816	21736280.5	German
4179047	Chevron Oronite Company LLC Chevron U.S.A. Inc.	07/07/2021	4179047	21740216.3	
4179251	Zero Emission Industries, Inc.	13/07/2021	4179251	21843246.6	
4179260	Alperia Green Future S.r.l.	06/07/2021	4179260	21748944.2	
4179445	QUALCOMM INCORPORATED	01/07/2021	4179445	21746876.8	
4179781	Telefonaktiebolaget LM Ericsson (publ)	24/06/2021	4179781	21740624.8	
4180073	Hcmed Innovations Co., Ltd.	27/10/2022	4180073	22204075.0	
4180690	BeijingWest Industries Co. Ltd.	19/10/2022	4180690	22202482.0	
4181121	Google LLC	22/05/2019	4181121	22195235.1	
4181424	Frontier Communications Holdings, LLC	11/11/2022	4181424	22207072.4	
4181536	Zhejiang Geely Holding Group Co., Ltd. Zhejiang Geely Automobile Research Institute Co., Ltd.	29/10/2020	4181536	20950063.6	
4181820	VITA-ZAHNFABRIK H. Rauter GmbH & Co. KG	07/07/2021	4181820	21740044.9	German
4182672	Sony Group Corporation	14/07/2021	4182672	21763155.5	
4182974	FOXLED1 AG	16/07/2020	4182974	20750605.6	German
4183996	Hamilton Sundstrand Corporation	11/10/2022	4183996	22200961.5	
4184279	Honor Device Co., Ltd.	26/08/2022	4184279	22856866.3	
4185787	Robert Bosch GmbH	21/06/2021	4185787	21735636.9	German
4186217	Telefonaktiebolaget LM Ericsson (publ)	22/07/2020	4186217	20746598.0	
4186762	Korea Railroad Research Institute	27/09/2022	4186762	22198019.6	
4187345	Jungheinrich Aktiengesellschaft	21/11/2022	4187345	22208512.8	German
4187701	Samsung SDI Co., Ltd.	25/11/2021	4187701	21210596.9	

4187773	Honor Device Co., Ltd.	29/08/2022	4187773	22857005.7	
4187888	Honor Device Co., Ltd.	25/03/2022	4187888	22787366.8	
4188332	KOKUA PHARMA INC.	23/03/2022	4188332	22716648.5	
4189981	Adapt IP Company	29/07/2021	4189981	21762189.5	
4190223	Ambu A/S	01/12/2021	4190223	21211782.4	
4190425	PFTechnology Spółka z ograniczona odpowiedzialnoscia	22/11/2022	4190425	22460063.5	
4192444	ScandiBio Therapeutics AB	04/08/2021	4192444	21759264.1	
4193095	Accenta	05/08/2021	4193095	21749057.2	French
4193875	PPK (Shanghai) Packaging Co., Ltd.	07/12/2022	4193875	22212007.3	
4193970	Plus Medica OT GmbH	08/12/2022	4193970	22212115.4	German
4194332	Goodrich Corporation	02/12/2022	4194332	22211014.0	
4194335	Goodrich Corporation	13/12/2019	4194335	23152865.4	
4194352	Defita	19/08/2022	4194352	22191220.7	
4194502	Borealis AG	13/12/2021	4194502	21213962.0	
4194696	Daikin Industries, Ltd.	23/08/2021	4194696	21866511.5	
4194700	Pfeiffer Vacuum Technology AG	18/04/2023	4194700	23168408.5	German
4194790	Rowe Holding GmbH	13/12/2021	4194790	21000351.3	German
4194916	Eagle Technology, LLC	28/11/2022	4194916	22210023.2	
4194979	Siemens Aktiengesellschaft	09/12/2021	4194979	21213428.2	
4195630	Samsung Electronics Co., Ltd.	01/12/2021	4195630	21906935.8	
4196001	Sleep Number Corporation	03/12/2021	4196001	21830884.9	
4196099	Creative Therapeutics GmbH	06/09/2021	4196099	21773526.5	German
4197321	Shenzhen Ipetmon Creative Technology Co., Ltd.	08/07/2022	4197321	22183983.0	
4197655	Bühler AG	20/12/2021	4197655	21215869.5	
4197946	VTEC Co. Ltd.	25/05/2022	4197946	22768600.3	
4198150	ArcelorMittal	05/03/2019	4198150	23153102.1	
4198243	Veka AG	12/12/2022	4198243	22212733.4	German
4198658	Yokogawa Electric Corporation	14/12/2022	4198658	22213458.7	
4198747	NTT Communications Corporation				
4198747	Honeywell International Inc.	29/11/2022	4198747	22210345.9	
4199004	Framatome	04/07/2019	4199004	23154913.0	
4199304	Honor Device Co., Ltd.	22/08/2022	4199304	22843603.6	
4199437	NXP B.V.	17/12/2021	4199437	21215663.2	
4200641	QUALCOMM Incorporated	30/06/2021	4200641	21746275.3	
4201193	CNH Industrial Belgium N.V.	22/12/2021	4201193	21216921.3	
4201294	Miele & Cie. KG	15/12/2022	4201294	22213662.4	German
4201488	Technogym S.p.A.	09/11/2022	4201488	22206376.0	
4201511	Inventage Lab Inc.	14/12/2022	4201511	22213457.9	
4201615	Quzhou Taiwei Precise Machinery Co., Ltd.	14/12/2021	4201615	21942798.6	
4201659	Continental Reifen Deutschland GmbH	12/12/2022	4201659	22212721.9	German
4202122	CH3 Solutions, LLC	23/12/2022	4202122	22216526.8	
4202214	Nordex Energy Spain, S.A.U.	22/12/2021	4202214	21383190.2	
4202258	CNH Industrial Italia S.p.A.	21/12/2022	4202258	22215657.2	
4202260	CNH Industrial Italia S.p.A.	16/12/2022	4202260	22214401.6	
4202586	WAYMO LLC	09/12/2022	4202586	22212525.4	
4202668	Huawei Cloud Computing Technologies Co., Ltd.	07/09/2021	4202668	21865952.2	
4202673	INTEL Corporation	22/12/2021	4202673	21216922.1	
4202692	INTEL Corporation	25/10/2022	4202692	22203546.1	
4202702	INTEL Corporation	17/11/2022	4202702	22207950.1	
4202765	Dulcesa, S.L.U.	21/12/2022	4202765	22215325.6	
4203551	GUANGDONG OPPO MOBILE TELECOMMUNICATIONS CORP., LTD.	18/08/2020	4203551	20949780.9	
4203982	Rousselot B.V.	27/08/2021	4203982	21772984.7	
4204263	MCi (Mirror Controls International) Netherlands B.V.	11/08/2021	4204263	21756078.8	
4205253	SMA Solar Technology AG	31/08/2021	4205253	21769985.9	German
4205693	RIVERFIELD Inc.	09/09/2020	4205693	20953238.1	

4205976	Guangdong Willing Technology Corporation	28/12/2021	4205976	21217923.8	
4205983	KONICA MINOLTA, INC.	28/08/2020	4205983	20951497.5	
4205984	Ricoh Company, Ltd.	01/12/2022	4205984	22210738.5	
4206066	TotalEnergies OneTech	28/12/2021	4206066	21306948.7	
4206504	Fujian Xihe Sanitary Ware Technology Co., Ltd.	22/04/2022	4206504	22169447.4	
4206505	Bosch Termoteknik Isitma ve Klima Sanayi Ticaret Anonim Sirketi	20/12/2022	4206505	22214812.4	German
4206510	DOYMA GmbH & Co	23/12/2022	4206510	22216548.2	German
4206571	Qingdao Haier Refrigerator Co., Ltd. Haier Smart Home Co., Ltd.	31/08/2021	4206571	21868438.9	
4206587	Qingdao Haier Refrigerator Co., Ltd. Haier Smart Home Co., Ltd.	07/09/2021	4206587	21868512.1	
4206707	LG Energy Solution, Ltd.	20/05/2022	4206707	22811583.8	
4206734	Shenzhen Yinwang Intelligent Technologies Co., Ltd.	27/09/2020	4206734	20954679.5	
4206992	Silicon Storage Technology Inc.	07/06/2019	4206992	23154359.6	
4207181	Roland Corporation	26/08/2020	4207181	20951425.6	
4207584	NISSAN MOTOR CO., LTD.	28/08/2020	4207584	20951549.3	
4207596	Lansun Technologies Inc.	29/04/2022	4207596	22857332.5	
4207723	Honor Device Co., Ltd.	07/09/2022	4207723	22865891.0	
4208110	Warsaw Orthopedic, Inc.	01/09/2021	4208110	21778635.9	
4209614	Ethicon, Inc.	15/06/2017	4209614	23157526.7	
4210483	AGRI.BUILDERS SAS	09/09/2021	4210483	21769818.2	French
4211088	Corning Incorporated	20/08/2021	4211088	21770355.2	
4212062	Zhuhai Ding Rong Plastic Products Co., Ltd	24/02/2021	4212062	21927141.8	
4212130	Edwards Lifesciences Corporation	20/07/2017	4212130	23152772.2	
4212397	Valeo Systèmes d'Essuyage	18/01/2022	4212397	22151951.5	
4212746	Sandvik Mining and Construction Oy	13/01/2022	4212746	22151370.8	
4215962	Nippon Telegraph And Telephone Corporation	18/09/2020	4215962	20954190.3	
4216841	Jessup, Mark	07/09/2021	4216841	21786254.9	
4217327	Ghirardelli, Giorgio	23/09/2021	4217327	21791457.1	
4218320	QUALCOMM INCORPORATED	21/09/2021	4218320	21801265.6	
4218409	Regeneron Pharmaceuticals, Inc.	13/03/2014	4218409	23151398.7	
4218597	Boston Scientific Scimed, Inc.	19/06/2019	4218597	23168360.8	
4218627	Boston Scientific Scimed, Inc.	26/10/2018	4218627	23163592.1	
4218915	ZOLL Medical Corporation	17/03/2016	4218915	23171417.1	
4219193	Sumitomo Rubber Industries, Ltd.	17/11/2022	4219193	22207959.2	
4219245	VOLKSWAGEN AG	13/12/2021	4219245	23169350.8	German
4219285	Naiad Maritime Group, Inc.	17/12/2018	4219285	23163194.6	
4219436	Duk San Neolux Co., Ltd. Samsung Display Co., Ltd.	24/06/2022	4219436	23157287.6	
4219840	Sany Heavy Machinery Limited	20/07/2021	4219840	21896347.8	
4219910	RTX Corporation	03/12/2019	4219910	23166176.0	
4220489	Silicon Storage Technology Inc.	11/07/2019	4220489	23163990.7	
4220663	HeartFlow, Inc.	04/08/2014	4220663	23169024.9	
4220938	AISIN CORPORATION	02/02/2022	4220938	22749740.1	
4221163	Honor Device Co., Ltd.	18/04/2022	4221163	22794649.8	
4222021	TREVES PRODUCTS, SERVICES & INNOVATION	30/09/2021	4222021	21789622.4	French
4222745	Yangtze Memory Technologies Co., Ltd.	14/12/2021	4222745	21944416.3	
4222783	Aledia	29/09/2021	4222783	21786168.1	French
4223080	Signify Holding B.V.	20/09/2021	4223080	21770036.8	
4224096	INTYCO CO., LTD.	11/01/2022	4224096	22700022.1	
4224126	Honor Device Co., Ltd.	02/09/2022	4224126	22859448.7	
4224701	Deere & Company	29/04/2022	4224701	23162005.5	
4225173	Scuola Superiore di Studi Universitari e di Perfezionamento Sant'Anna	11/10/2021	4225173	21802419.8	
4225306	Alzprotect	07/10/2021	4225306	21782766.6	

4226716	QUALCOMM INCORPORATED	04/10/2021	4226716	21806875.7	
4226959	InvoX Belgium NV	30/04/2018	4226959	23162900.7	
4227012	Primetals Technologies Japan, Ltd.	17/11/2020	4227012	20962382.6	
4227720	Nippon Telegraph And Telephone Corporation	09/10/2020	4227720	20956763.5	
4227748	The Boeing Company	12/12/2022	4227748	22212948.8	
4228017	Honor Device Co., Ltd.	14/04/2022	4228017	22787587.9	
4230251	Pacesetter, Inc.	28/09/2012	4230251	23184025.7	
4230346	Nanjing Chervon Industry Co., Ltd.	16/11/2021	4230346	21893888.4	
4230385	Nanotronics Imaging, Inc.	29/03/2019	4230385	23177462.1	
4230864	EEW Special Pipe Constructions GmbH	22/02/2022	4230864	22158095.4	German
4231149	Cisco Technology, Inc.	16/07/2015	4231149	23184545.4	
4231517	Daikin Industries, Ltd.	27/09/2018	4231517	23183586.9	
4231919	Carestream Health, Inc.	20/10/2021	4231919	21806571.2	
4232106	Innate S.r.l.	25/10/2021	4232106	21807254.4	
4232172	Universal City Studios LLC	25/10/2021	4232172	21811582.2	
4232411	Cool Separations B.V.	25/10/2021	4232411	21798813.8	
4233214	QPQ Limited	22/10/2020	4233214	20796794.4	
4233642	QLEVR NV	28/02/2023	4233642	23158998.7	
4233858	Amazentis SA	27/06/2013	4233858	23175506.7	
4233864	Ajou University Industry-Academic Cooperation Foundation Korea Institute of Science and Technology	22/10/2021	4233864	21883327.5	
4234643	Jotun A/S	10/11/2017	4234643	23175504.2	
4234746	ArcelorMittal	10/06/2016	4234746	23180573.0	
4235392	Samsung Electronics Co., Ltd.	28/03/2014	4235392	23177268.2	
4235468	OLogN Technologies AG	07/03/2014	4235468	23179704.4	
4235558	Angel Playing Cards Co., Ltd.	02/08/2016	4235558	23172143.2	
4235657	Samsung Electronics Co., Ltd.	10/06/2013	4235657	23178921.5	
4235672	Yangtze Memory Technologies Co., Ltd.	28/11/2019	4235672	23178442.2	
4235703	Nippon Telegraph And Telephone Corporation	13/11/2018	4235703	23168110.7	
4235814	Ja Solar Technology Yangzhou Co., Ltd.	27/02/2023	4235814	23158657.9	
4235954	Lansus Technologies Inc.	29/04/2022	4235954	22879607.4	
4236117	MITSUBISHI ELECTRIC CORPORATION	28/02/2022	4236117	22305221.8	
4236273	Vivo Mobile Communication Co., Ltd.	20/10/2021	4236273	21882058.7	
4236378	Dolby Laboratories Licensing Corporation	01/05/2020	4236378	23179383.7	
4236550	Sony Group Corporation	15/08/2018	4236550	23178306.9	
4236859	Gebr. Brasseler GmbH & Co. KG	22/09/2021	4236859	21783165.0	German
4237328	ST Engineering Aerospace Ltd.	14/12/2020	4237328	20926359.9	
4238600	BMC Medical Co., Ltd.	08/12/2021	4238600	21909143.6	
4238682	Contemporary Amperex Technology (Hong Kong) Limited	15/02/2023	4238682	23156863.5	
4238836	ZF Automotive Systems Poland Sp. z.o.o. ZF Automotive Germany GmbH	04/03/2022	4238836	22160191.7	German
4238940	ABCR GmbH	26/02/2019	4238940	23183101.7	German
4239550	Pagani, Stefano	10/02/2023	4239550	23155970.9	
4240990	Renault s.a.s	04/11/2021	4240990	21802731.6	French
4241149	NISSAN MOTOR CO., LTD.				
4241149	MAN Truck & Bus SE	12/10/2021	4241149	21790855.7	German
4241201	Banks and Acquirers International Holding	04/11/2021	4241201	21806697.5	French
4241435	Oracle International Corporation	21/07/2021	4241435	21759196.5	
4241824	MT.DERM GmbH	07/03/2022	4241824	22160485.3	German
4241956	Denka Company Limited	16/03/2022	4241956	22775344.9	
4241963	LM Wind Power A/S	11/03/2022	4241963	22161665.9	
4242189	SAINT-GOBAIN PLACO	11/03/2022	4242189	22305285.3	
4242980	Siemens Healthineers AG	10/03/2022	4242980	22161374.8	
4243110	LG Energy Solution, Ltd.	12/05/2020	4243110	23182536.5	
4243515	Huawei Technologies Co. Ltd.	30/11/2020	4243515	20963073.0	
4243536	Sony Group Corporation	08/05/2019	4243536	23180769.4	

4245388	Vivo Mobile Communication Co., Ltd.	11/11/2021	4245388	21891170.9	
4245484	Gallucci, Giuseppe	15/03/2023	4245484	23162008.9	
4246295	Palantir Technologies Inc.	27/12/2016	4246295	23189844.6	
4246748	Baoding Yuxin Electric Technology Co., Ltd.	02/12/2021	4246748	21902489.0	
4246976	LG Electronics Inc.	21/09/2012	4246976	23190393.1	
4246990	Sony Semiconductor Solutions Corporation	19/07/2019	4246990	23187934.7	
4247335	CB21 Pharma, S.R.O.	17/11/2021	4247335	21815896.2	
4248917	Edwards Lifesciences Corporation	05/01/2021	4248917	23191760.0	
4248933	Hochschule Ruhr West	24/03/2023	4248933	23163929.5	German
4249277	Sato Holdings Kabushiki Kaisha	10/11/2021	4249277	21894535.0	
4250832	Samsung Electronics Co., Ltd.	31/10/2018	4250832	23191382.3	
4251607	Siec Badawcza Lukasiewicz - PORT Polski Osrodek Rozwoju Technologii	27/08/2021	4251607	21790984.5	
4251668	COMPAGNIE GENERALE DES ETABLISSEMENTS MICHELIN Centre National de la Recherche Scientifique Ecole Supérieure de Chimie, Physique, Electronique de Lyon Université Claude Bernard Lyon 1	22/11/2021	4251668	21823973.9	French
4251922	Baltur S.p.A.	25/11/2021	4251922	21827421.5	
4252021	Fraunhofer-Gesellschaft zur Förderung der angewandten Forschung e.V.	23/11/2021	4252021	21819421.5	
4252399	Huawei Technologies Co. Ltd.	20/12/2021	4252399	21905858.3	
4253173	TOYOTA MATERIAL HANDLING MANUFACTURING ITALY S.p.A	21/03/2023	4253173	23163265.4	
4253812	Emerson Process Management Regulator Technologies, Inc.	01/04/2022	4253812	22465525.8	
4253857	DAIKIN INDUSTRIES, LTD.	12/11/2021	4253857	21897744.5	
4254403	Magic Leap, Inc.	13/09/2017	4254403	23182794.0	
4254952	Mitsubishi Electric Corporation	30/05/2012	4254952	23188026.1	
4255051	Telefonaktiebolaget LM Ericsson (publ)	31/08/2018	4255051	23187649.1	
4255270	Aktiebolaget Electrolux	07/12/2020	4255270	20820860.3	
4255271	Aktiebolaget Electrolux	07/12/2020	4255271	20820862.9	
4255542	Intersurgical AG	07/12/2021	4255542	21823896.2	
4255626	Fundacion Donostia International Physics Center - DIPC Asociación Centro de Investigación Cooperativa en Biomateriales - CIC biomaGUNE Universidad del País Vasco/Euskal Herriko Unibertsitatea	03/12/2021	4255626	21816114.9	
4255839	Doppler S.A.	13/01/2021	4255839	21701164.2	
4255863	Stavropoulos, Stavros				
4255863	Holcim Technology Ltd	02/12/2021	4255863	21819489.2	
4256198	Greenwood, Warren Greenwood, Ronald	27/01/2022	4256198	22703432.9	
4256452	BASF SE	01/12/2021	4256452	21823856.6	
4257182	Jeisys Medical Inc.	07/06/2021	4257182	23193456.3	
4257235	Lg Chem, Ltd.	27/07/2022	4257235	22895792.4	
4257247	Exel Industries	05/04/2023	4257247	23166671.0	French
4257316	SENSONIC DESIGN IRELAND LIMITED	06/04/2022	4257316	22462005.4	
4257782	King Slide Technology Co., Ltd.	22/11/2022	4257782	22208745.4	
4258698	GUANGDONG OPPO MOBILE TELECOMMUNICATIONS CORP., LTD.	08/12/2020	4258698	20964555.5	
4258857	Schwendemann, Daniel Schwendemann, Simone	23/08/2022	4258857	22768415.6	German
4259237	Qufora A/S	07/12/2021	4259237	21830997.9	
4259297	FF-Future Oy	07/12/2021	4259297	21839238.9	
4259397	Leitinger, Hans-Peter	14/12/2021	4259397	21830926.8	German

4259419	Herrmann Ultraschalltechnik GmbH & Co. KG	07/12/2021	4259419	21836056.8	German
4259600	BASF SE	08/12/2021	4259600	21819519.6	
4259734	Canon Production Printing Holding B.V.	06/12/2021	4259734	21823308.8	
4259746	Oleon N.V.	13/12/2021	4259746	21835294.6	French
4259925	Siemens Gamesa Renewable Energy A/S	14/12/2021	4259925	21839422.9	
4260143	HOLTRA AB	10/12/2021	4260143	21839367.6	
4260226	Cognex Corporation	10/12/2021	4260226	21839299.1	
4260512	International Business Machines Corporation	03/12/2021	4260512	21824565.2	
4260695	mitsubishi electric corporation	06/01/2021	4260695	21917425.7	
4261143	Contemporary Amperex Technology (Hong Kong) Limited	31/03/2023	4261143	23165798.2	
4262303	GUANGDONG OPPO MOBILE TELECOMMUNICATIONS CORP., LTD.	30/03/2021	4262303	21933689.8	
4262594	Warsaw Orthopedic, Inc.	15/12/2021	4262594	21840365.7	
4262668	REFLEX SCIENCES B.V.	14/12/2021	4262668	21836167.3	
4262999	BASF Beauty Care Solutions France SAS	14/12/2021	4262999	21854671.1	French
4263402	BASF Corporation				
4263402	XSYS Prepress NV	17/12/2021	4263402	21840594.2	
4263556	JANSSEN Pharmaceutica NV	16/12/2021	4263556	21830696.7	
4263558	JANSSEN Pharmaceutica NV	16/12/2021	4263558	21830695.9	
4263646	BASF SE	15/12/2021	4263646	21824601.5	
4263673	BASF SE	16/12/2021	4263673	21836193.9	
4263771	Unilever Global IP Limited	10/12/2021	4263771	21823926.7	
4263781	Heineken Supply Chain B.V.	14/12/2021	4263781	21831034.0	
4263857	Robert Bosch GmbH	07/12/2021	4263857	21834753.2	German
4263894	Aperam	13/12/2021	4263894	21824085.1	French
4263984	Brose Schließsysteme GbmH & Co. Kommanditgesellschaft	06/12/2021	4263984	21820619.1	German
4264056	IFP Energies nouvelles	03/12/2021	4264056	21835631.9	French
4264546	Koninklijke Philips N.V.	07/12/2021	4264546	21830984.7	
4264787	Valeo eAutomotive Germany GmbH	08/12/2021	4264787	21835227.6	German
4265105	Group Elastoteck	12/04/2023	4265105	23167593.5	French
4265166	Omachron Intellectual Property Inc.	18/04/2023	4265166	23168484.6	
4265188	Siemens Healthineers AG	23/09/2022	4265188	22197506.3	German
4265519	Goodrich Lighting Systems GmbH & Co. KG	21/04/2022	4265519	22169189.2	
4265556	ZIEHL-ABEGG SE	14/04/2023	4265556	23168005.9	German
4265841	Valmet Technologies Oy	19/04/2022	4265841	22168768.4	
4265931	Goodrich Actuation Systems SAS	21/04/2022	4265931	22305598.9	
4266488	AGC Glass Europe	21/04/2022	4266488	22205413.2	
4266915	Philip Morris Products, S.A.	15/12/2021	4266915	21840482.0	
4266938	Robert Bosch GmbH	02/12/2021	4266938	21835977.6	German
4266949	M. Schuster Patentverwertungs GmbH	27/12/2021	4266949	21854740.4	German
4266950	M. Schuster Patentverwertungs GmbH	27/12/2021	4266950	21854739.6	German
4267027	Boston Scientific Scimed, Inc.	13/12/2021	4267027	21847908.7	
4267028	Koninklijke Philips N.V.	16/12/2021	4267028	21840799.7	
4267051	Coloplast A/S	21/12/2021	4267051	21836342.2	
4267290	IFP Energies nouvelles	14/12/2021	4267290	21824408.5	French
4268319	A. AGRATI S.p.A.	14/12/2021	4268319	21839263.7	
4268320	A. AGRATI S.p.A.	14/12/2021	4268320	21839673.7	
4269289	SLB S.r.l.	18/09/2018	4269289	23196888.4	
4269529	Colquimica-Indústria Nacional de Colas, S.A.	07/03/2023	4269529	23160542.9	
4269610	The University of Tokyo	22/06/2018	4269610	23181081.3	
4269819	Tridonic GmbH & Co. KG	15/03/2023	4269819	23161972.7	German
4269851	TLV Co., Ltd.	22/11/2021	4269851	21910090.6	
4269916	Epta S.p.A.	30/03/2023	4269916	23165597.8	
4269959	A&D Company, Limited	07/12/2021	4269959	21910273.8	

4270116	Glashütter Uhrenbetrieb GmbH	29/04/2022	4270116	22170936.3	French
4270346	Schmitz Cargobull AG	25/04/2022	4270346	22169662.8	German
4270874	THALES	27/04/2023	4270874	23170235.8	French
4270893	Cisco Technology, Inc.	01/06/2016	4270893	23176492.9	
4271263	Medituner AB	31/12/2021	4271263	21847977.2	
4271334	Centricity Vision, Inc.	08/11/2022	4271334	22893513.6	
4271443	Baxter International Inc. Baxter Healthcare S.A.	30/12/2021	4271443	21848109.1	
4271454	Coloplast A/S	28/12/2021	4271454	21847702.4	German
4271674	GILEAD SCIENCES, INC.	19/04/2022	4271674	22723850.8	
4272008	Baxter International Inc. BAXTER HEALTHCARE SA	30/12/2021	4272008	21848481.4	
4272284	Mercedes-Benz Group AG	22/09/2022	4272284	22792812.4	German
4272802	Philips Image Guided Therapy Corporation Koninklijke Philips N.V.	07/06/2021	4272802	23193084.3	
4272998	FAURECIA Sièges d'Automobile	13/04/2023	4272998	23167817.8	French
4273014	TOYOTA JIDOSHA KABUSHIKI KAISHA	23/03/2023	4273014	23163738.0	
4273470	Commissariat à l'Energie Atomique et aux Energies Alternatives	02/05/2023	4273470	23171104.5	French
4273923	STMicroelectronics S.r.l.	27/04/2023	4273923	23170386.9	
4274532	American Sterilizer Company	15/12/2021	4274532	21843832.3	
4274533	American Sterilizer Company	17/12/2021	4274533	21844492.5	
4275104	Jetcool Technologies, Inc.	02/03/2023	4275104	23748201.3	
4275303	Signify Holding B.V.	27/12/2021	4275303	21847510.1	
4275574	Selden Research Ltd	23/10/2018	4275574	23200560.3	
4276366	Arçelik Anonim Sirketi	30/03/2023	4276366	23165447.6	
4276877	Panasonic Intellectual Property Management Co., Ltd.	09/12/2021	4276877	21917625.2	
4277669	Koninklijke Philips N.V.	30/12/2021	4277669	21844777.9	
4277711	Prohinig, Stefan	18/01/2021	4277711	21702849.7	German
4277888	BASF SE	05/01/2022	4277888	22700018.9	
4278391	Allegro MicroSystems, LLC	14/03/2022	4278391	22717313.5	
4279415	CHINA TOBACCO YUNNAN INDUSTRIAL CO., LTD	02/11/2021	4279415	21958148.5	
4279439	Hunan Sinoboom Intelligent Equipment Co., Ltd.	23/12/2021	4279439	21931343.4	
4280233	Robert Bosch GmbH	08/05/2023	4280233	23172037.6	German
4280927	DYSON TECHNOLOGY LIMITED	14/12/2021	4280927	21830729.6	
4281338	AGCO International GmbH	03/12/2021	4281338	21824672.6	
4281679	Schaeffler Technologies AG & Co. KG	14/12/2021	4281679	21830938.3	German
4282093	Danmarks Tekniske Universitet	19/01/2022	4282093	22702890.9	
4282809	FERRARI GROUP S.R.L.	18/05/2023	4282809	23174172.9	
4282836	Hamilton Sundstrand Corporation	26/04/2023	4282836	23170171.5	
4283828	Applied Micro Electronics B.V.	27/01/2023	4283828	23153740.8	
4283927	VOLVO TRUCK CORPORATION	23/05/2023	4283927	23174759.3	
4284027	Honor Device Co., Ltd.	12/12/2022	4284027	22893948.4	
4284293	Winnove Medical SAS	25/03/2022	4284293	22719238.2	
4284712	GT Green Technologies Limited	23/12/2022	4284712	22830281.6	
4284901	Hindustan Petroleum Corporation Limited	15/09/2021	4284901	21799115.7	
4284974	Voith Patent GmbH	21/12/2021	4284974	21839228.0	German
4285174	Damae Medical	18/01/2022	4285174	22701922.1	French
4286665	Sandvik Mining and Construction Oy	03/06/2022	4286665	22177261.9	
4286831	Akademia Gorniczo-Hutnicza im. Stanislawa Staszica w Krakowie	13/12/2022	4286831	22213041.1	
4288910	DeepMind Technologies Limited	27/05/2022	4288910	22733874.6	
4289123	Siemens Aktiengesellschaft	07/03/2022	4289123	22713393.1	German
4289229	Danieli Automation S.P.A.	31/01/2022	4289229	22706934.1	
4289446	Santen Pharmaceutical Co., Ltd. AGC INC.	28/05/2009	4289446	23202597.3	

4289766	CHINA TOBACCO YUNNAN INDUSTRIAL CO., LTD	02/11/2021	4289766	21958147.7	
4289782	Graco Minnesota Inc.	22/03/2018	4289782	23202018.0	
4290094	Goodrich Corporation	08/06/2022	4290094	22461566.6	
4290108	Volvo Truck Corporation	06/06/2022	4290108	22177357.5	
4290454	Commissariat à l'Energie Atomique et aux Energies Alternatives	09/06/2023	4290454	23178443.0	French
4291362	RTL Materials Ltd	31/12/2021	4291362	21845082.3	
4291494	Solystic	08/12/2021	4291494	21852032.8	French
4292212	Mitsubishi Electric Corporation	14/12/2022	4292212	22851042.6	
4292234	British Telecommunications public limited company	09/02/2022	4292234	22704380.9	
4292693	Xi'an Jiaotong University	23/09/2022	4292693	22197267.2	
4292717	Exel Industries	13/06/2023	4292717	23178827.4	French
4293122	Oregon Health & Science University Illumina, Inc.	05/06/2018	4293122	23182878.1	
4293162	Metalogenia Research & Technologies S.L.	05/08/2021	4293162	21773642.0	
4293270	Anchis Technology B.V.	14/06/2023	4293270	23179155.9	
4293352	Shimadzu Corporation	17/05/2023	4293352	23174079.6	
4293458	Coclean Technologies, Co., Ltd.	31/03/2023	4293458	23166044.0	
4294002	Prophese SA	17/06/2022	4294002	22305887.6	
4295055	KSB SE & Co. KGaA	21/02/2022	4295055	22706842.6	German
4295514	Siemens Aktiengesellschaft	12/04/2022	4295514	22722249.4	
4296015	Afag Holding AG	21/06/2022	4296015	22180154.1	German
4296053	AGP Worldwide Operations GmbH	24/06/2022	4296053	22180930.4	
4296541	Kubota Corporation	29/05/2023	4296541	23175915.0	
4296751	Xi'an Chishine Optoelectronics Technology Co., Ltd	15/07/2022	4296751	22868454.4	
4296791	Montres Breguet S.A.	20/06/2022	4296791	22179924.0	French
4297841	VentriFlo, Inc.	23/02/2021	4297841	21712361.1	
4297842	VentriFlo, Inc.	23/02/2021	4297842	21712365.2	
4298324	Nuovo Pignone Tecnologie - S.r.l.	24/02/2022	4298324	22707617.1	
4298843	Apple Inc.	03/04/2021	4298843	21934141.9	
4299350	Robert Bosch GmbH	22/05/2023	4299350	23174526.6	German
4300195	FUJIFILM Business Innovation Corp.	22/03/2023	4300195	23163539.2	
4300206	FUJIFILM Business Innovation Corp.	23/03/2023	4300206	23163683.8	
4300324	Palantir Technologies Inc.	03/07/2018	4300324	23209876.4	
4301589	Zucchini Innovazione S.r.l.	02/03/2022	4301589	22711344.6	
4301609	Continental Reifen Deutschland GmbH	02/12/2021	4301609	21835983.4	German
4301836	Esseco S.r.l.	03/03/2022	4301836	22713730.4	
4302405	VIASAT INC.	29/03/2022	4302405	22723235.2	
4303053	Renault s.a.s	21/06/2023	4303053	23180590.4	French
4303670	SMW-AUTOBLOK Spannsysteme GmbH	05/07/2022	4303670	22183143.1	German
4304786	Errete S.p.A.	08/03/2022	4304786	22713456.6	
4304874	COMPAGNIE GENERALE DES ETABLISSEMENTS MICHELIN	21/02/2022	4304874	22710666.3	French
4304927	Wärtsilä Netherlands B.V.	12/03/2021	4304927	21712468.4	
4305255	Wallgate Limited	01/10/2021	4305255	21799314.6	
4306625	Henkel AG & Co. KGaA	11/07/2022	4306625	22184038.2	German
4307079	Koa Health Digital Solutions S.L.U.	12/07/2022	4307079	22184520.9	
4307605	Nokia Solutions and Networks Oy	30/06/2023	4307605	23182807.0	
4308271	Donaldson Company, Inc.	14/03/2022	4308271	22714669.3	
4308322	SAFRAN AIRCRAFT ENGINES	08/03/2022	4308322	22713704.9	French
4308399	First Design 1 S.p.A.	14/03/2022	4308399	22712635.6	
4308516	Heidelberg Materials AG	02/03/2022	4308516	22710049.2	
4308762	SPT Equipment BV	15/03/2022	4308762	22716337.5	
4308860	BRITA SE	22/02/2022	4308860	22706861.6	
4309029	Revenue Collection Systems France SAS	15/03/2022	4309029	22714855.8	French
4309298	Telefonaktiebolaget LM Ericsson (publ)	19/03/2021	4309298	21714420.3	
4309563	Prmedical S.r.l.	21/07/2023	4309563	23187041.1	
4310251	Vossloh Cogifer	19/07/2022	4310251	22315158.0	

4310621	Techtronic Cordless GP	14/07/2023	4310621	23185499.3	
4310861	Commissariat à l'Energie Atomique et aux Energies Alternatives	18/07/2023	4310861	23186163.4	French
4310975	LG ENERGY SOLUTION, LTD.	25/10/2022	4310975	22887575.3	
4311448	Itoh, Tetsuya	03/05/2023	4311448	23171355.3	
4311821	Ecompost Industries, Sociedad Limitada	26/07/2023	4311821	23000104.2	German
4312399	nChain Licensing AG	05/05/2020	4312399	23216154.7	
4312902	Elsa Vermögens- und Beteiligungs AG	22/03/2022	4312902	22717567.6	German
4312903	Hallufix AG	22/03/2022	4312903	22717568.4	German
4313178	FEDEGARI AUTOCLAVI SPA	01/04/2022	4313178	22718785.3	
4313431	Herrmann Ultraschalltechnik GmbH & Co. KG	21/03/2022	4313431	22717094.1	German
4313573	VMI Holland B.V.	17/03/2022	4313573	22711688.6	
4313587	Saint-Gobain Glass France	30/03/2022	4313587	22717645.0	French
4313629	Continental Reifen Deutschland GmbH	17/12/2021	4313629	21844191.3	German
4313651	La Societe "S.A.C.R.E.D"	21/03/2022	4313651	22715655.1	French
4314403	TWE Meulebeke	31/03/2022	4314403	22720354.4	
4314505	Mercedes-Benz Group AG	22/03/2022	4314505	22717563.5	German
4314517	SAFRAN AIRCRAFT ENGINES	22/03/2022	4314517	22715143.8	French
4314544	Siemens Gamesa Renewable Energy A/S	11/05/2022	4314544	22728834.7	
4314595	Dayco Europe S.R.L.	24/03/2022	4314595	22717266.5	
4315301	LEGO A/S	24/03/2022	4315301	22718601.2	
4315367	Framatome	29/03/2022	4315367	22718716.8	French
4315369	ORANO NUCLEAR PACKAGES AND SERVICES	17/03/2022	4315369	22714491.2	French
4315595	OVER EASY SOLAR AS	18/03/2022	4315595	22717946.2	
4316958	Hepco & Becker GmbH	21/07/2023	4316958	23186935.5	German
4317396	Sartorius Stedim Systems GmbH	01/08/2022	4317396	22188086.7	German
4317802	Arçelik Anonim Sirketi	31/07/2023	4317802	23188635.9	
4319453	Vodafone Group Services Limited	05/08/2022	4319453	22189121.1	
4320340	Corning Incorporated	05/04/2022	4320340	22718023.9	
4320657	AUDI AG	25/05/2022	4320657	22731517.3	German
4320836	Siemens Aktiengesellschaft	11/05/2022	4320836	22728831.3	
4322107	Contemporary Amperex Technology (Hong Kong) Limited	30/06/2022	4322107	22871150.3	
4322355	Xiamen Set Electronics Co., Ltd	09/03/2022	4322355	22787296.7	
4322858	Compremium AG	13/04/2022	4322858	22722748.5	German
4323282	DS Smith Plc	12/04/2022	4323282	22722443.3	
4323571	Chiorino Technology S.p.A.	11/04/2022	4323571	22721463.2	
4323601	USG Interiors, LLC	07/04/2022	4323601	22720272.8	
4323659	igus GmbH	12/04/2022	4323659	22722485.4	German
4323689	Valvetight Holding BV	04/04/2022	4323689	22717455.4	
4323923	Innatera Nanosystems B.V.	16/04/2022	4323923	22724651.9	
4323999	FRAMATOME	13/04/2022	4323999	22723039.8	
4324543	Abtech Industries, Inc.	08/05/2020	4324543	23216858.3	
4324890	Sihl GmbH	19/08/2022	4324890	22191313.0	
4325238	Allegro MicroSystems, LLC	02/06/2017	4325238	23213503.8	
4325529	Nantong Zhenghai Magnet Co., Ltd. Yantai Zhenghai Magnetic Material Co., Ltd.	10/08/2023	4325529	23190721.3	
4325573	Commissariat à l'Energie Atomique et aux Energies Alternatives	09/08/2023	4325573	23190585.2	French
4326190	Voigt, Kerstin-Evelyne	20/04/2022	4326190	22727264.8	French
4326196	Edwards Lifesciences Innovation (Israel) Ltd.	10/04/2022	4326196	22723473.9	
4326416	Donaldson Company, Inc.	21/04/2022	4326416	22733720.1	
4326488	Hazet-Werk Hermann Zerver GmbH & Co. KG	10/03/2022	4326488	22714108.2	German
4326588	Bayerische Motoren Werke Aktiengesellschaft	19/04/2022	4326588	22723998.5	German
4326595	Voith Patent GmbH	14/04/2022	4326595	22718238.3	German

4326974	SCHOTT AG	31/03/2022	4326974	22720327.0	German
4326996	Brembo S.p.A.	14/04/2022	4326996	22722559.6	
4327110	Siemens Aktiengesellschaft	20/05/2022	4327110	22730169.4	
4328778	Tata Consultancy Services Limited	17/07/2023	4328778	23185895.2	
4330024	Carl Zeiss Meditec AG	12/04/2022	4330024	22722710.5	German
4330094	Continental Automotive Technologies GmbH	31/03/2022	4330094	22716332.6	German
4330184	Commissariat à l'Energie Atomique et aux Energies Alternatives	08/06/2022	4330184	22735554.2	French
4330235	JANSSEN Pharmaceutica NV	28/04/2022	4330235	22727001.4	
4330513	Archer Oiltools AS	02/05/2022	4330513	22729830.4	
4330527	Nuovo Pignone Tecnologia - S.r.l.	22/04/2022	4330527	22720924.4	
4331099	Terna S.p.A.	23/03/2022	4331099	22719336.4	
4332034	TMT Machinery, Inc.	27/07/2023	4332034	23188016.2	
4332340	B-Components GmbH	30/08/2023	4332340	23194134.5	German
4332544	DEPURACIÓN DE AGUAS DEL MEDITERRÁNEO, S.L. Fundació Institut de Bioenginyeria de Catalunya (IBEC) Universitat de Barcelona	29/04/2022	4332544	22724467.0	
4332597	Contemporary Amperex Technology (Hong Kong) Limited	27/03/2023	4332597	23732800.0	
4333091	LG Energy Solution, Ltd.	31/08/2023	4333091	23194507.2	
4333176	Sungrow Energy Storage Technology Co., Ltd.	12/07/2023	4333176	23185109.8	
4333927	Baxter International Inc. BAXTER HEALTHCARE SA	06/05/2022	4333927	22729334.7	
4334133	THE WARMING SURFACES COMPANY OY	03/05/2022	4334133	22727355.4	
4334793	Kautex Textron GmbH & Co. KG	25/07/2023	4334793	23748975.2	German
4335128	Siemens Aktiengesellschaft	08/06/2022	4335128	22735318.2	German
4335137	Telefonaktiebolaget LM Ericsson (publ)	23/11/2021	4335137	21819760.6	
4335324	L&P Property Management Company	06/09/2022	4335324	22194098.4	
4335828	Evonik Operations GmbH	12/09/2022	4335828	22195067.8	German
4336241	Lumus Ltd.	25/10/2020	4336241	23185748.3	
4336499	Dolby International AB	10/03/2016	4336499	24152023.8	
4336873	Huawei Technologies Co., Ltd.	12/07/2021	4336873	21949590.0	
4337045	JT International S.A.	09/05/2022	4337045	22728453.6	
4337075	Ratin, Alain Gabin	14/04/2022	4337075	22727210.1	French
4337748	Ecolab USA, Inc.	13/05/2022	4337748	22734391.0	
4337924	ZF CV Systems Global GmbH	05/05/2022	4337924	22728085.6	German
4339728	China Railway Design Corporation (CRDC) TSDI (Tianjin) Testing Technology Co., Ltd	18/09/2023	4339728	23197966.7	
4340213	Leadrive Technology (Shanghai) Co. Ltd Shanghai Lingang Power Electronics Research Institute Co., Ltd	12/04/2022	4340213	22851605.0	
4340676	CIRK-L AB	20/05/2022	4340676	22729689.4	
4340839	Universite de Montpellier (UM) Centre National de la Recherche Scientifique (CNRS)	23/05/2022	4340839	22732295.5	French
4341475	Sigvaris AG	12/07/2022	4341475	22741773.0	French
4341508	Mypro Research S.r.l.	28/04/2022	4341508	22721897.1	
4341516	Hof, Georg	13/05/2022	4341516	22724405.0	German
4341971	Socomec S.A.	10/05/2022	4341971	22728556.6	French
4342011	Nexxon Limited	21/10/2022	4342011	22797459.9	
4342196	Snap Inc.	17/05/2022	4342196	22733782.1	
4342653	Gereedschappenfabriek Van den Brink B.V.	22/09/2023	4342653	23199156.3	
4343238	Açelik Anonim Sirketi	31/07/2023	4343238	23188653.2	
4343817	Commissariat à l'Energie Atomique et aux Energies Alternatives	20/09/2023	4343817	23198561.5	French

4345364	Season Bright (Cambodia) Electronic Lighting Co., Ltd.	05/01/2023	4345364	23150464.8	
4346380	Steininger, Werner	24/05/2022	4346380	22730441.7	German
4346610	Koninklijke Philips N.V.	26/05/2022	4346610	22729734.8	
4347392	Safran Landing Systems	25/05/2022	4347392	22730516.6	French
4347415	E-Packaging S.r.l.	04/05/2022	4347415	22728305.8	
4347450	Power Stow International ApS	03/06/2022	4347450	22731672.6	
4347570	Suqian Cosmos Chemical Co.,Ltd DSM IP Assets B.V.	20/05/2022	4347570	22729712.4	
4347671	BASF Coatings GmbH	23/05/2022	4347671	22730200.7	
4349394	ConvaTec Limited	22/04/2022	4349394	24160018.8	
4350077	BAUER Maschinen GmbH	06/10/2022	4350077	22199993.1	German
4350430	Hamamatsu Photonics K.K.	03/03/2017	4350430	24159648.5	
4350546	Institute for Information Industry	07/11/2022	4350546	22205782.0	
4351970	MTU Aero Engines AG	19/05/2022	4351970	22726586.5	German
4352041	Stamicarbon B.V.	10/06/2022	4352041	22731335.0	
4353458	The Boeing Company	11/10/2023	4353458	23202903.3	
4354009	Coman Photo Equipment (Zhongshan) Co., Ltd	30/05/2023	4354009	23175931.7	
4354471	Baotou Jinshan Magnetic Material Co. Ltd	29/12/2022	4354471	22217234.8	
4354959	Honor Device Co., Ltd.	12/08/2013	4354959	23208129.9	
4355529	3M Innovative Properties Company	25/07/2022	4355529	22754171.1	
4357164	TOYO TIRE CORPORATION	19/09/2023	4357164	23198325.5	
4357554	Weingartner, Gerhard	15/02/2023	4357554	23156720.7	German
4358733	Compañía Española De Algas Marinas S.A.	22/06/2022	4358733	22733678.1	
4359189	Ascorium GmbH	18/05/2022	4359189	22730389.8	German
4359302	Leonardo S.p.A.	20/03/2023	4359302	23714339.1	
4359304	Marchesini Group S.p.A.	21/06/2022	4359304	22741374.7	
4359410	SANDOZ AG	23/06/2022	4359410	22736251.4	
4359498	Unilever Global IP Limited	17/06/2022	4359498	22734297.9	
4359771	Abberior Instruments GmbH	23/06/2022	4359771	22734958.6	German
4360982	SpeedInnov	23/10/2023	4360982	23205131.8	French
4361410	Kubota Corporation	26/10/2022	4361410	22203935.6	
4362334	Sndway Technology (Guangdong) Co., Ltd.	09/10/2023	4362334	23202480.2	
4362525	Fujitsu Germany GmbH Deutsche Telekom AG	28/10/2022	4362525	22204374.7	
4363067	OULD AMER, Nabil	16/01/2023	4363067	23700363.7	French
4363176	Koninklijke Philips N.V.	27/06/2022	4363176	22734643.4	
4363313	SAFRAN AIRCRAFT ENGINES	24/06/2022	4363313	22743537.7	French
4363688	Epiroc Rock Drills Aktiebolag	16/05/2022	4363688	22729312.3	
4364853	Shaheen Innovations Holding Limited	15/12/2020	4364853	24153018.7	
4365473	Tsinghua Shenzhen International Graduate School China Nuclear Power Design Company Ltd. (Shenzhen)	16/06/2023	4365473	23841984.0	
4365859	Tata Consultancy Services Limited	07/09/2023	4365859	23195865.3	
4367433	Signify Holding B.V.	05/07/2022	4367433	22747633.0	
4370274	FRONIUS INTERNATIONAL GmbH	12/07/2022	4370274	22747691.8	German
4370291	Koninklijke Philips N.V.	13/07/2022	4370291	22736310.8	
4370843	Politecnico di Milano	11/07/2022	4370843	22741298.8	
4370845	Politecnico di Milano	11/07/2022	4370845	22741293.9	
4370846	Politecnico di Milano	11/07/2022	4370846	22741296.2	
4371375	Signify Holding B.V.	11/07/2022	4371375	22750800.9	
4371706	WEZAG GmbH & Co. KG	15/11/2022	4371706	22207540.0	German
4372188	Alban Giacomo S.p.A.	28/09/2023	4372188	23200602.3	
4372574	Getac Technology Corporation	13/02/2023	4372574	23156244.8	
4372829	Shanghai Jinko Green Energy Enterprise Management Co., Ltd. Zhejiang Jinko Solar Co., Ltd.	31/08/2021	4372829	24168316.8	
4374049	Umicore AG & Co. KG	20/07/2022	4374049	22751720.8	German

4374103	L'AIR LIQUIDE, SOCIETE ANONYME POUR L'ETUDE ET L'EXPLOITATION DES PROCEDES GEORGES CLAUDE	14/06/2022	4374103	22733088.3	French
4374204	Lumus Ltd.	11/04/2022	4374204	22860772.7	
4374708	Avea Life AG	14/11/2023	4374708	23209782.4	
4374878	Ferring B.V.	29/09/2011	4374878	24166417.6	
4375489	Doosan Enerbility Co., Ltd. Seoul National University R & DB Foundation	21/09/2023	4375489	23198853.6	
4375982	Koninklijke Philips N.V.	27/04/2012	4375982	24161572.3	
4376077	Commissariat à l'Energie Atomique et aux Energies Alternatives	14/11/2023	4376077	23209592.7	French
4376296	Commissariat à l'Energie Atomique et aux Energies Alternatives Centre National de la Recherche Scientifique Université Savoie Mont Blanc	23/11/2022	4376296	22306726.5	
4377485	Umicore	27/07/2022	4377485	22751113.6	
4377900	Koninklijke Philips N.V.	15/07/2022	4377900	22753636.4	
4378024	Mercedes-Benz Group AG	29/06/2023	4378024	23738639.6	German
4378671	Daher Aerospace	23/11/2023	4378671	23211627.7	
4380441	Koninklijke Philips N.V.	26/07/2022	4380441	22754422.8	
4381013	Saes Getters S.p.A.	28/07/2023	4381013	23751873.3	
4383010	GENERAL PLASTIC INDUSTRIAL CO., LTD. KATUN CORPORATION	08/12/2022	4383010	22212199.8	
4383975	Phoenix Mecano Solutions AG	08/12/2022	4383975	22020604.9	German
4384707	Airbus Defence and Space SAS	19/06/2023	4384707	23738832.7	French
4386068	OLEON NV	16/12/2022	4386068	22306924.6	
4386313	Hexagon Technology Center GmbH	15/12/2022	4386313	22213891.9	
4386337	Volvo Car Corporation	16/12/2022	4386337	22214378.6	
4386823	Comptek Solutions OY	12/12/2022	4386823	22212687.2	
4387004	Japan Aviation Electronics Industry, Limited	24/10/2023	4387004	23205538.4	
4387326	Deutsche Telekom AG	12/12/2022	4387326	22212870.4	
4388584	QUALCOMM INCORPORATED	20/07/2022	4388584	22753965.7	
4388847	Honda Research Institute Europe GmbH	23/12/2022	4388847	22216381.8	
4388952	Swisspool Balneo S.A.	28/08/2023	4388952	23193731.9	French
4389373	Cannon Ergos S.P.A.	22/12/2023	4389373	23220009.7	
4389592	AIRBUS HELICOPTERS DEUTSCHLAND GmbH	19/12/2022	4389592	22214699.5	
4389731	Evonik Oxeno GmbH & Co. KG	19/12/2022	4389731	22214450.3	German
4389946	Reifenhäuser GmbH & Co. KG Maschinenfabrik	21/12/2022	4389946	22215646.5	German
4389987	Hexagon Technology Center GmbH	20/12/2022	4389987	22215102.9	
4392050	Rousselot BV	30/08/2023	4392050	23764306.9	
4392392	Greenzy	05/10/2022	4392392	22800213.5	French
4393814	Airbus Defence and Space, S.A.U.	29/12/2022	4393814	22383314.6	
4394152	Alban Giacomo S.p.A.	26/10/2023	4394152	23206186.1	
4394400	Leibniz-Institut für Festkörper- und Werkstoffforschung Dresden e.V. Technische Universität Dresden	28/12/2022	4394400	22216944.3	
4394423	Siemens Healthineers AG	27/12/2022	4394423	22216784.3	German
4395975	Ottobock SE & Co. KGaA	19/11/2021	4395975	21816417.6	
4397835	Olivero, Stefano	22/12/2023	4397835	23020574.2	
4397958	Contemporary Ampere Technology (Hong Kong) Limited	29/03/2023	4397958	23734439.5	
4398614	Honor Device Co., Ltd.	24/08/2023	4398614	23841169.8	
4399932	Telefonaktiebolaget LM Ericsson (publ)	07/09/2021	4399932	21773366.6	
4401609	Versuni Holding B.V.	01/09/2022	4401609	22772508.2	
4404774	Opes Corporation OY	20/09/2022	4404774	22778030.1	

4405174	Beaulieu International Group NV	13/09/2023	4405174	23776578.9	
4405334	Sortina Pharma AB	01/12/2022	4405334	22822701.3	
4408288	Appareils pour Kinés Sports et Esthétique	29/09/2022	4408288	22798272.5	French
4411275	OBO Bettermann Hungary Kft.	17/01/2024	4411275	24152280.4	German
4411425	SICK AG	30/03/2023	4411425	24175684.0	German
4415566	Sunnysmoker SAS	14/10/2022	4415566	22803212.4	French
4417782	Azmey, Adel	17/02/2023	4417782	23157151.4	
4417783	Azmey, Adel	17/02/2023	4417783	23157152.2	
4420146	Sabanci Universitesi Nanoteknoloji Arastirma Ve Uygulama Merkezi Istanbul Teknik Universitesi	10/10/2022	4420146	22817828.1	
4421415	Thermo King LLC	22/02/2023	4421415	23157934.3	
4421468	Melexis Technologies NV	27/02/2023	4421468	23158904.5	
4422460	Versuni Holding B.V.	29/11/2023	4422460	23814198.0	
4423824	Umicore	27/10/2022	4423824	22813118.1	
4425371	Getac Technology Corporation	07/07/2023	4425371	23184139.6	
4426955	Fidlock GmbH	21/11/2022	4426955	22818796.9	German
4428698	MACRONIX INTERNATIONAL CO., LTD.	19/04/2023	4428698	23168687.4	
4429754	Magenta Medical Ltd.	14/09/2023	4429754	23783521.0	
4431365	Baumer Electric AG	17/03/2023	4431365	23162540.1	German
4431783	SAERTEX multiCom GmbH	16/03/2023	4431783	23162294.5	German
4432190	Tata Consultancy Services Limited	09/01/2024	4432190	24150909.0	
4433567	Unilever Global IP Limited	20/10/2022	4433567	22808998.3	
4434310	SixPoint Materials, Inc.	18/11/2022	4434310	22826271.3	
4435280	Alexandrou, Charis	24/03/2023	4435280	23000044.0	
4436448	Versuni Holding B.V.	10/11/2022	4436448	22840025.5	
4438267	Dojan, Daniel	30/03/2023	4438267	23165576.2	German
4442367	Spyra, Thomas	24/03/2024	4442367	24165723.8	German
4444457	Stamicarbon B.V.	29/08/2023	4444457	23765016.3	
4446816	Ricoh Company, Ltd.	21/03/2024	4446816	24165137.1	
4452195	UNILEVER GLOBAL IP LIMITED	09/12/2022	4452195	22834970.0	
4456770	Versuni Holding B.V.	21/02/2024	4456770	24705691.4	
4483428	Trinseo Europe GmbH	27/06/2023	4483428	23735696.9	

Grants Published in EPO Bulletin No. 08/25, dated 2025-02-19

2195892	Ampliconyx Oy	29/09/2008	2195892	08805462.2	
2427745	S.P.M. Instrument AB	26/02/2010	2427745	10772330.6	
2483654	Compagnie Générale des Etablissements Michelin	30/09/2010	2483654	10778688.1	French
2516993	Carl Zeiss Microscopy GmbH	14/12/2010	2516993	10795617.9	German
2594551	Panion & BF Biotech Inc.	18/08/2006	2594551	12192822.0	
2691242	Canon Kabushiki Kaisha	27/03/2012	2691242	12763585.2	
2738814	Bell Semiconductor, LLC	28/11/2013	2738814	13194927.3	
2741022	Rf-Technologies nv	04/12/2012	2741022	12195500.9	
2754148	DreamWorks Animation LLC	06/09/2012	2754148	12829308.1	
2797356	Fujitsu Limited	23/12/2011	2797356	11877994.1	
2807046	SAINT-GOBAIN GLASS FRANCE	21/01/2013	2807046	13704182.8	French
2828785	Arctran Holdings Limited	15/03/2013	2828785	13719027.8	
2831400	Mercedes-Benz Group AG	26/03/2013	2831400	13718296.0	German
2861628	Bridgestone Corporation	18/06/2013	2861628	13806430.8	
2874699	Gomboc, LLC	17/07/2013	2874699	13819480.8	
2924147	Kabushiki Kaisha Toshiba	08/11/2013	2924147	13856366.3	
2927490	Korea Electronics Technology Institute	27/11/2013	2927490	13858215.0	
2933991	Malikie Innovations Limited	17/04/2015	2933991	15164119.8	
2949176	Qualcomm Incorporated	21/01/2014	2949176	14703495.3	
2968896	Schultz, Joseph, P.	13/03/2014	2968896	14774399.1	
2978807	Peter Morris Research and Development Limited	18/03/2014	2978807	14715063.5	
2978942	Accelleron Switzerland Ltd.	25/03/2014	2978942	14711990.3	German

2995065	Nagravision Sàrl	07/05/2014	2995065	14722666.6	
3022590	Smiths Detection France S.A.S.	16/07/2014	3022590	14750786.7	
3033362	Ineos Europe AG	14/08/2013	3033362	13748336.8	
3051309	ZF CV Systems Europe BV	19/01/2016	3051309	16000109.5	German
3053248	Schneider Electric IT Corporation	30/09/2013	3053248	13894445.9	
3054780	Kemin Proteins LLC	06/10/2014	3054780	14850534.0	
3061315	Apple Inc.	23/09/2014	3061315	14856386.9	
3068778	The University of Kansas	11/11/2014	3068778	14815118.6	
3069085	LG Electronics Inc.	16/09/2014	3069085	14859603.4	
3071902	Dynaes	21/11/2014	3071902	14824056.7	French
3080658	Samsung Electronics Co., Ltd.	10/12/2014	3080658	14869044.9	
3085131	Valeo Comfort and Driving Assistance	19/12/2014	3085131	14815377.8	French
3086181	Ninestar Corporation	03/12/2014	3086181	14870774.8	
3094850	Wärtsilä Finland Oy	10/04/2015	3094850	15718507.5	
3096673	Levita Magnetics International Corp.	21/01/2015	3096673	15741055.6	
3101849	Huawei Technologies Co., Ltd.	23/12/2014	3101849	14883365.0	
3119608	Bobst Firenze S.r.l.	19/03/2015	3119608	15718611.5	
3123023	TOYOTA JIDOSHA KABUSHIKI KAISHA	11/03/2015	3123023	15716575.4	
3126450	Dow Toray Co., Ltd. Dow Corning (China) Holding Co. Ltd.	03/04/2014	3126450	14887974.5	
3127077	The Coca-Cola Company	31/03/2015	3127077	15774419.4	
3134577	Campbell, Richard V.	22/04/2015	3134577	15782616.5	
3134754	Climate LLC	21/04/2015	3134754	15782556.3	
3135462	The Boeing Company	01/06/2016	3135462	16172491.9	
3138192	Sew-Eurodrive GmbH & Co. KG	13/04/2015	3138192	15717806.2	German
3149453	Hach Company	18/09/2015	3149453	15772162.2	
3156138	The Boeing Company	06/10/2016	3156138	16192553.2	
3156423	Riken Animal Allergy Clinical Laboratories Inc. Nippon Zenyaku Kogyo Co., Ltd.	11/06/2015	3156423	15806911.2	
3158054	Crown Laboratories, Inc.	17/06/2015	3158054	15809700.6	
3160994	Innate Pharma	23/06/2015	3160994	15730793.5	
3161067	Dow Global Technologies LLC	27/06/2014	3161067	14895594.1	
3162742	Siemens Logistics GmbH	02/11/2015	3162742	15192624.3	German
3163286	Castro Fontanella Pileggi, Gisele	23/06/2015	3163286	15811493.4	
3166648	University Of Maryland University of Maryland, Baltimore	08/07/2015	3166648	15819202.1	
3171379	Nippon Kodoshi Corporation	15/07/2015	3171379	15822513.6	
3174573	Siemens Healthcare Diagnostics Inc.	30/07/2015	3174573	15826556.1	
3175023	President and Fellows of Harvard College	29/07/2015	3175023	15827358.1	
3181125	Capsugel Belgium NV	31/07/2014	3181125	14898418.0	
3185436	LG Electronics Inc.	30/07/2015	3185436	15827230.2	
3185819	Stryker Corporation	26/08/2015	3185819	15835481.1	
3188168	LG Display Co., Ltd.	14/12/2016	3188168	16204173.5	
3191769	F.F. Seeley Nominees Pty Ltd.	08/09/2015	3191769	15840428.5	
3201045	Lytix Inc.	11/08/2015	3201045	15846959.3	
3206231	Samsung Display Co., Ltd.	30/11/2016	3206231	16201523.4	
3206908	GRAMMER AG	16/10/2015	3206908	15791485.4	German
3209122	Marel Poultry B.V.	21/10/2015	3209122	15820310.9	
3212716	Dow Global Technologies LLC Rohm and Haas Company	31/10/2014	3212716	14904886.0	
3219567	Honda Research Institute Europe GmbH	19/07/2016	3219567	16180118.8	
3223679	Medmont International Pty Ltd.	25/11/2015	3223679	15863161.4	
3224784	Visa International Service Association	25/11/2015	3224784	15862269.6	
3225941	Mitsubishi Electric Corporation	31/03/2016	3225941	16163359.9	
3226792	Autonomix Medical, Inc.	04/12/2015	3226792	15864478.1	
3229230	Harman International Industries, Incorporated	04/04/2017	3229230	17164748.0	

3246957	SHINKO ELECTRIC INDUSTRIES CO. LTD.	16/05/2017	3246957	17171213.6	
	NICHIA CORPORATION				
3247181	Niterra Co., Ltd.	08/01/2016	3247181	16737189.7	
3248407	Nokia Solutions and Networks Oy	22/01/2015	3248407	15701739.3	
3249571	QUALCOMM Incorporated	31/01/2008	3249571	17182181.2	
3260519	Plastic Energy Limited	23/06/2016	3260519	16020247.9	
3261702	Stryker Corporation	26/02/2016	3261702	16710377.9	
3263320	The Boeing Company	27/03/2017	3263320	17163124.5	
3264359	Dassault Systèmes	28/06/2016	3264359	16305777.1	
3266668	Continental Autonomous Mobility Germany GmbH	06/07/2016	3266668	16465516.9	
3271039	Südzucker AG	15/03/2016	3271039	16710955.2	German
3273624	Institut Mines Telecom	18/07/2016	3273624	16305926.4	
3280662	Amazon Technologies, Inc.	08/04/2016	3280662	16719610.4	
3283222	Neoteryx, LLC	15/04/2016	3283222	16780899.7	
3284949	Hamilton Sundstrand Corporation	16/08/2017	3284949	17186494.5	
3285143	Malikie Innovations Limited	03/08/2017	3285143	17184698.3	
3287791	Public University Corporation Nara Medical University Chugai Seiyaku Kabushiki Kaisha Sysmex Corporation	30/03/2016	3287791	16782966.2	
3289539	Picadeli AB	13/04/2016	3289539	16786850.4	
3291510	RTX Corporation	31/08/2017	3291510	17188894.4	
3298253	BASF Mobile Emissions Catalysts LLC	18/05/2016	3298253	16797196.9	
3301379	Bergstrom, Inc.	15/12/2016	3301379	16204267.5	
3302094	Agrifirm North West Europe Holding B.V.	30/05/2016	3302094	16742026.4	
3302198	SharkNinja Operating LLC	27/05/2016	3302198	16728512.1	
3305219	Synthes GmbH	11/03/2013	3305219	17194661.9	
3307431	TIOTECH AS	13/06/2016	3307431	16731542.3	
3308382	Accuray, Inc.	21/03/2016	3308382	16713702.5	
3311147	Vrije Universiteit Brussel	20/06/2016	3311147	16733356.6	
3314048	Apple Inc.	22/06/2016	3314048	16738585.5	
3315510	Rise Biopharmaceuticals, Inc. (Beijing)	03/06/2015	3315510	15893723.5	
3319978	Mimetogen Pharmaceuticals, Inc.	08/07/2016	3319978	16739073.1	
3320950	Greatbatch Ltd.	10/11/2017	3320950	17201160.3	
3321875	Clara Diamond Solutions Limited Partnership	16/05/2017	3321875	17171390.2	
3322267	AT & S Austria Technologie & Systemtechnik Aktiengesellschaft	10/11/2016	3322267	16198274.9	
3322900	Nuovo Pignone Tecnologie - S.r.l.	15/07/2016	3322900	16738816.4	
3327099	Nisshinbo Brake Inc.	15/07/2016	3327099	16827733.3	
3327684	Bundesdruckerei GmbH	13/09/2017	3327684	17190828.8	German
3330336	LG Display Co., Ltd.	29/11/2017	3330336	17204293.9	
3335140	Massachusetts Institute of Technology	10/08/2016	3335140	16835817.4	
3340833	L'OREAL	18/08/2016	3340833	16760258.0	
3344194	Globus Medical, Inc.	02/09/2016	3344194	16843040.3	
3345398	Roku, Inc.	29/08/2016	3345398	16842748.2	
3345630	Revomotion GmbH	09/10/2014	3345630	18153478.5	German
3346826	Philip Morris Products S.A.	06/09/2016	3346826	16760735.7	
3348210	Ethicon LLC	21/12/2017	3348210	17209475.7	
3349755	Philip Morris Products S.A.	15/09/2016	3349755	16847313.0	
3352904	Shin Chuang Technology Co., Ltd.	11/09/2016	3352904	16778506.2	
3353478	BSH Hausgeräte GmbH	05/09/2016	3353478	16760102.0	German

3353694	Institut National de la Santé et de la Recherche Médicale (INSERM) Centre National de la Recherche Scientifique Sorbonne Université Université Paris Cité Ecole Supérieure de Physique et de Chimie Industrielles de la Ville de Paris	23/09/2016	3353694	16775610.5	
3355565	Seiko Epson Corporation	30/01/2018	3355565	18154058.4	
3356257	British American Tobacco (Investments) Limited	26/09/2016	3356257	16781687.5	
3359666	Genzyme Corporation	07/10/2016	3359666	16788603.5	
3359718	Avient Protective Materials B.V.	07/10/2016	3359718	16778382.8	
3360171	TDK Electronics AG	01/09/2016	3360171	16766869.8	German
3363295	Singao (Xiamen) Agribusiness Development Co., Ltd.	15/10/2015	3363295	15906064.9	
3365733	Microsoft Technology Licensing, LLC	05/10/2016	3365733	16781971.3	
3368201	Henkel AG & Co. KGaA Homag Holzbearbeitungssysteme GmbH	05/12/2016	3368201	16809692.3	German
3370712	The Johns Hopkins University	04/11/2016	3370712	16863046.5	
3376853	Rijk Zwaan Zaadteelt en Zaadhandel B.V.	20/11/2015	3376853	15801726.9	
3378064	QUALCOMM Incorporated	26/09/2016	3378064	16781923.4	
3380052	BOE Technology Group Co., Ltd.	26/10/2016	3380052	16852871.9	
3380147	Sanofi-Aventis Deutschland GmbH	21/11/2016	3380147	16798207.3	
3381284	Ecolab USA Inc.	16/09/2016	3381284	18168680.9	
3381285	Ecolab USA Inc.	16/09/2016	3381285	18168686.6	
3386015	LG Energy Solution, Ltd.	30/11/2016	3386015	16871049.9	
3386899	Otis Elevator Company	07/12/2015	3386899	15830836.1	
3387096	Givaudan SA	09/12/2016	3387096	16809045.4	
3387872	Samsung Electronics Co., Ltd.	21/03/2017	3387872	17770593.6	
3388507	The Procter & Gamble Company	09/04/2018	3388507	18166383.2	
3389519	Boston Scientific Scimed Inc. Mayo Foundation for Medical Education and Research	16/12/2016	3389519	16829456.9	
3389717	Photocure ASA	19/12/2016	3389717	16819894.3	
3389865	UOP LLC	21/11/2016	3389865	16876343.1	
3391341	Koninklijke Philips N.V.	14/12/2016	3391341	16822630.6	
3395395	Terumo Kabushiki Kaisha	19/12/2016	3395395	16878646.5	
3396438	Carl Zeiss Vision International GmbH	21/12/2016	3396438	16878795.0	
3401882	FUJIFILM Business Innovation Corp.	07/03/2018	3401882	18160376.2	
3404194	Alfred Schellenberg GmbH	11/05/2018	3404194	18171753.9	German
3404494	MB & F SA	16/05/2017	3404494	17171407.4	French
3404687	General Electric Technology GmbH	18/05/2017	3404687	17290064.9	
3405191	TheraVida, Inc.	20/01/2016	3405191	16886713.3	
3405932	KiwiSecurity Software GmbH	27/01/2017	3405932	17704684.4	
3407087	Centre National d'Etudes Spatiales Office National d'Etudes et de Recherches Aérospatiales	18/05/2018	3407087	18173158.9	French
3407234	Bundesdruckerei GmbH	22/05/2018	3407234	18173593.7	German
3412732	LG Chem, Ltd.	14/11/2017	3412732	17871699.9	
3417880	Duke University	05/06/2014	3417880	18172956.7	
3418934	Huawei Technologies Co., Ltd.	03/03/2017	3418934	17765734.3	
3426719	Marquette University	09/03/2017	3426719	17764084.4	
3427874	Franz Haimer Maschinenbau KG	05/04/2007	3427874	18192952.2	German
3428984	Japan Science And Technology Agency	09/03/2017	3428984	17763386.4	
3431115	AIS GMBH AACHEN INNOVATIVE SOLUTIONS	27/08/2008	3431115	18185980.2	German
3432287	HERE Global B.V.	20/07/2018	3432287	18184637.9	
3436673	Johnson Matthey Public Limited Company	30/03/2017	3436673	17715778.1	
3439070	DKJ New Energy S&T Co. Ltd.	29/03/2017	3439070	17773225.2	
3439706	Gelnesis	15/03/2017	3439706	17711782.7	French

3439728	Innoventions Ltd.	04/04/2017	3439728	17778793.4	
3440222	F. Hoffmann-La Roche AG	04/04/2017	3440222	17718843.0	
3441087	Teva Pharmaceuticals International GmbH	03/03/2009	3441087	18192502.5	
3441690	Tyco Fire & Security GmbH	27/07/2018	3441690	18186163.4	
3441906	KABUSHIKI KAISHA TOSHIBA	02/03/2018	3441906	18159701.4	
3442243	Samsung Display Co., Ltd.	06/08/2018	3442243	18187475.1	
3442598	CarryGenes Bioengineering, LLC	11/04/2017	3442598	17783010.6	
3442602	Research Institute at Nationwide Children's Hospital	14/04/2017	3442602	17783236.7	
3443272	SAINT-GOBAIN ISOVER	29/03/2017	3443272	17719653.2	French
3443694	Cable Television Laboratories, Inc.	21/03/2017	3443694	17810658.9	
3445411	Warsaw Orthopedic, Inc.	19/04/2017	3445411	17786545.8	
3448763	Krones AG	01/02/2017	3448763	17703366.9	German
3451279	SMR Patents S.à.r.l.	23/08/2018	3451279	18190442.6	
3453653	GEA Food Solutions Germany GmbH	24/04/2018	3453653	18169004.1	
3454152	Leuze electronic GmbH + Co. KG	06/09/2017	3454152	17189689.7	German
3455821	Samsung Electronics Co., Ltd.	06/07/2017	3455821	17824544.5	
3457769	Sony Group Corporation	22/03/2017	3457769	17795835.2	
3459974	Reed, Guy L.	21/09/2018	3459974	18195872.9	
3462411	Arkite NV	27/09/2017	3462411	17193384.9	
3463149	Covidien LP	25/05/2017	3463149	17807266.6	
3464668	Arcelormittal	23/05/2017	3464668	17730258.5	
3466052	Airy3d Inc.	06/06/2017	3466052	17809494.2	
3469460	Microsoft Technology Licensing, LLC	02/06/2017	3469460	17732649.3	
3469574	Rolling Optics Innovation AB	07/06/2017	3469574	17813689.1	
3469580	Genesys Cloud Services, Inc.	02/06/2017	3469580	17807617.0	
3471230	Huawei Technologies Co., Ltd.	07/09/2017	3471230	17883231.7	
3471725	Azurity Pharmaceuticals, Inc.	16/06/2017	3471725	17814171.9	
3471873	Dow Global Technologies LLC	31/05/2017	3471873	17730304.7	
3476905	The Boeing Company	15/10/2018	3476905	18200363.2	
3478033	AT & S Austria Technologie & Systemtechnik Aktiengesellschaft	25/10/2017	3478033	17198423.0	
3479398	Intel Corporation	01/07/2016	3479398	16907642.9	
3480788	Nissan Motor Co., Ltd.	30/06/2016	3480788	16907289.9	
3480846	Infineon Technologies AG	03/11/2017	3480846	17199950.1	
3482550	Lookiimedia (UK) Limited	11/07/2017	3482550	17742835.6	
3482925	Ishida Co., Ltd.	22/06/2017	3482925	17830784.9	
3483580	Rockwell Automation Technologies, Inc.	06/11/2018	3483580	18204537.7	
3483873	Panasonic Intellectual Property Management Co., Ltd.	06/07/2017	3483873	17824327.5	
3484215	QUALCOMM Incorporated	29/01/2015	3484215	18213452.8	
3486271	LG Chem, Ltd.	13/12/2017	3486271	17881589.0	
3486503	Goodrich Corporation	08/11/2018	3486503	18205239.9	
3487385	Endotronix, Inc.	19/07/2017	3487385	17745935.1	
3488532	Qorvo US, Inc.	19/07/2017	3488532	17748596.8	
3488943	ALSTOM Holdings	15/11/2018	3488943	18206490.7	
3490768	Volkswagen Aktiengesellschaft	22/06/2017	3490768	17734682.2	German
3492526	Sumitomo Chemical Company Limited	27/07/2017	3492526	17834469.3	
3496148	Samsung Display Co., Ltd.	28/11/2018	3496148	18208755.1	
3497872	Innovative Technology Lab Co., Ltd.	11/08/2017	3497872	17839864.0	
3498850	Fundação Oswaldo Cruz	04/08/2017	3498850	17838234.7	
3500009	Datang Mobile Communications Equipment Co., Ltd.	07/08/2017	3500009	17838678.5	
3500163	Koninklijke Philips N.V.	15/08/2017	3500163	17752130.9	
3501163	Bana, Hafeez	18/08/2017	3501163	17758606.2	
3501371	Groupe Brandt	18/12/2018	3501371	18213445.2	French
3502323	Sumitomo Electric Industries, Ltd.	03/07/2018	3502323	18828655.3	
3502327	Sanko Tekstil Isletmeleri San. Tic. A.S.	22/12/2017	3502327	17210449.9	
3503927	The Regents of the University of California	29/08/2017	3503927	17765518.0	
3504187	Prilenia Neurotherapeutics Ltd.	24/08/2017	3504187	17844433.7	

3506965	Sanofi-Aventis Deutschland GmbH	25/08/2017	3506965	17755538.0	
3509451	Sorrels, Kevin M.	11/09/2017	3509451	17849701.2	
3510642	Brookhaven Technology Group, Inc.	07/09/2017	3510642	17849501.6	
3513512	Lucibel SA	11/09/2017	3513512	17771792.3	French
3513775	Fuji Corporation	13/09/2016	3513775	16916190.8	
3518731	Magic Leap, Inc.	25/05/2017	3518731	17856946.3	
3519320	Kellanova	28/09/2017	3519320	17781604.8	
3520257	Telefonaktiebolaget LM Ericsson (publ)	03/10/2016	3520257	16775709.5	
3520269	QUALCOMM Incorporated	25/09/2017	3520269	17784095.6	
3520274	QUALCOMM Incorporated	11/07/2017	3520274	17854520.8	
3521017	Dai Nippon Printing Co., Ltd.	27/09/2017	3521017	17856248.4	
3522947	Nuheart AS	06/10/2017	3522947	17787358.5	
3523416	University of Central Florida Research Foundation, Inc.	05/10/2017	3523416	17859189.7	
3523819	Technische Universität Wien	05/10/2017	3523819	17793822.2	German
3524827	SMC Corporation	11/09/2017	3524827	17858149.2	
3525547	ACER INCORPORATED	08/08/2014	3525547	19161484.1	
3525680	Devicor Medical Products, Inc.	11/10/2017	3525680	17791244.1	
3526014	Continental Reifen Deutschland GmbH	08/08/2017	3526014	17758068.5	German
3526588	Bentley Instruments, Inc.	12/10/2017	3526588	17791811.7	
3528407	Huawei Technologies Co., Ltd.	12/12/2017	3528407	17885868.4	
3529000	Bystronic Laser AG	18/10/2017	3529000	17784653.2	German
3531294	Aptod, Inc.	11/04/2017	3531294	17864592.5	
3531652	Korea Institute of Energy Research	12/10/2018	3531652	18200079.4	
3533260	BlackBerry Limited	05/12/2017	3533260	17811282.7	
3535578	Rosemount Inc.	04/11/2016	3535578	16920523.4	
3535933	BSH Hausgeräte GmbH	20/10/2017	3535933	17791649.1	German
3537169	Siemens Healthineers AG	07/03/2018	3537169	18160421.6	German
3537887	Hamlet Protein A/S	08/11/2017	3537887	17797318.7	
3538024	Medtronic Vascular Inc.	20/10/2017	3538024	17794174.7	
3538746	8 Rivers Capital, LLC	09/11/2017	3538746	17817105.4	
3539982	Pfizer Inc.	19/12/2012	3539982	19160722.5	
3540475	Leuze electronic GmbH + Co. KG	16/03/2018	3540475	18162213.5	German
3540482	Nippon Kayaku Kabushiki Kaisha	13/11/2017	3540482	17868832.1	
3541936	The Board of Trustees of the Leland Stanford Junior University	16/11/2017	3541936	17872034.8	
3542366	Insulet Corporation	13/11/2017	3542366	17808273.1	
3542721	Siemens Healthineers AG	23/03/2018	3542721	18163687.9	German
3543272	Mitsui Chemicals, Inc.	14/11/2017	3543272	17870773.3	
3543627	Carrier Corporation	14/03/2019	3543627	19162985.6	
3544248	CENTRE NATIONAL D'ETUDES SPATIALES	20/03/2018	3544248	18305305.7	
3545470	Mitsubishi Electric Corporation	26/09/2017	3545470	17788318.8	
3545981	Industry Foundation of Chonnam National University	26/10/2017	3545981	17864166.8	
3547990	Anomera Inc.	30/11/2017	3547990	17825125.2	
3549008	Samsung Electronics Co., Ltd.	17/11/2017	3549008	17876298.5	
3549091	Microsoft Technology Licensing, LLC	22/11/2017	3549091	17818664.9	
3552025	Beckman Coulter, Inc.	08/12/2017	3552025	17823288.0	
3552718	Pyles Japan Co., Ltd. TOYOTA JIDOSHA KABUSHIKI KAISHA	27/03/2019	3552718	19165578.6	
3552744	Liebherr-Verzahntechnik GmbH	22/03/2019	3552744	19164586.0	German
3553103	DIC Corporation	26/10/2017	3553103	17879686.8	
3553726	Bundesdruckerei GmbH	28/03/2019	3553726	19165925.9	German
3553895	Connecteurs Electriques Deutsch	10/04/2018	3553895	18305421.2	
3554393	Evalue, Inc.	12/12/2017	3554393	17832124.6	
3554614	C. R. Bard, Inc.	12/12/2017	3554614	17881095.8	
3556047	Siemens Aktiengesellschaft	28/12/2017	3556047	17829669.5	German
3556325	Shenzhen Lifetech Respiration Scientific Co., Ltd.	25/08/2017	3556325	17879666.0	

3558299	Institut National de la Santé et de la Recherche Médicale (INSERM) Université Paris Cité Fondation Imagine Assistance Publique-Hôpitaux de Paris (AP- HP)	19/12/2017	3558299	17823103.1	
3559227	Danisco US Inc.	19/12/2017	3559227	17832644.3	
3559808	Telefonaktiebolaget LM Ericsson (PUBL)	21/12/2016	3559808	16820250.5	
3560754	Volvo Car Corporation	26/04/2018	3560754	18169509.9	
3561891	LT Materials Co., Ltd.	20/12/2017	3561891	17885139.0	
3562570	Stantchev, George	27/11/2017	3562570	17874093.2	
3562702	Elaphe Propulsion Technologies Ltd.	30/12/2016	3562702	16858490.2	
3563704	Zavodiuk, Vladimir Grigorievich	28/12/2017	3563704	17888645.3	
3564868	Samsung Electronics Co., Ltd.	15/04/2019	3564868	19169298.7	
3565004	Samsung Display Co., Ltd.	26/04/2019	3565004	19171454.2	
3565528	Asarina Pharma AB	09/01/2018	3565528	18700645.7	
3566444	QUALCOMM Incorporated	04/01/2018	3566444	18701627.4	
3566980	KRONES Aktiengesellschaft	14/03/2019	3566980	19162718.1	German
3567094	Henkel AG & Co. KGaA	05/12/2007	3567094	19181847.5	German
3568971	GoPro, Inc.	19/12/2017	3568971	17832133.7	
3570742	Novascan, Inc.	22/01/2018	3570742	18741452.9	
3571726	King's College London	18/01/2018	3571726	18701543.3	
3572491	The Procter & Gamble Company	24/05/2018	3572491	18174021.8	
3572736	HMC Premedical S.p.A.	21/05/2019	3572736	19175528.9	
3575373	Dow Toray Co., Ltd.	22/01/2018	3575373	18745214.9	
3575462	Fabdesigns, Inc.	22/05/2019	3575462	19175901.8	
3576425	AlphaTheta Corporation	27/01/2017	3576425	17894325.4	
3576785	Pharmaq AS	30/01/2018	3576785	18705247.7	
3576862	Corning Incorporated	31/01/2018	3576862	18704779.0	
3579200	Continental Automotive Technologies GmbH	16/05/2019	3579200	19174832.6	German
3579252	Hitachi Energy Ltd	04/06/2018	3579252	18175691.7	
3582907	General Kinematics Corporation	28/12/2017	3582907	17832874.6	
3586156	Koninklijke Philips N.V.	21/02/2018	3586156	18709486.7	
3588131	Kyocera Corporation	08/02/2018	3588131	18757037.9	
3588132	Analog Devices, Inc.	17/06/2019	3588132	19180686.8	
3588159	Huawei Technologies Co., Ltd.	19/12/2017	3588159	17901073.1	
3589123	DiscGenics, Inc.	02/03/2018	3589123	18760873.2	
3589347	Haindl, Hans, Dr.	01/03/2018	3589347	18709517.9	German
3589350	Medtronic, Inc.	02/03/2017	3589350	17898438.1	
3590892	Shiraishi Kogyo Kaisha, Ltd.	23/02/2018	3590892	18761003.5	
3591451	Prysmian S.p.A.	03/06/2019	3591451	19177929.7	
3592362	Venatorx Pharmaceuticals, Inc.	05/03/2018	3592362	18763383.9	
3594260	Avient Switzerland GmbH	13/07/2018	3594260	18183387.2	
3594643	Schneider Electric Industries SAS	03/07/2019	3594643	19184038.8	French
3598278	LG Display Co., Ltd.	16/07/2019	3598278	19186621.9	
3598892	Big Dutchman International GmbH H. Bröring GmbH & Co. KG	25/07/2018	3598892	18185476.1	German
3599672	Aptiv Technologies AG	25/07/2019	3599672	19188291.9	French
3601604	The Board of Trustees of the Leland Stanford Junior University	29/03/2018	3601604	18777364.3	
3602262	Misapplied Sciences, Inc.	23/03/2018	3602262	18770609.8	
3602392	Huawei Technologies Co., Ltd.	28/10/2017	3602392	17909912.2	
3603207	MEDIATEK INC.	23/03/2018	3603207	18771243.5	
3603557	Applied Medical Resources Corporation	17/12/2015	3603557	19198318.8	
3603621	TDC Technology Dedicated to Care S.r.l.	30/07/2019	3603621	19189078.9	
3604352	Godo Shigen Co., Ltd.	15/03/2018	3604352	18774691.2	
3604709	Hauff-Technik GmbH & Co. KG	17/07/2019	3604709	19186764.7	German
3604852	Qingdao Haier Washing Machine Co., Ltd. Qingdao Haier Smart Technology R&D Co., Ltd.	29/06/2017	3604852	17901609.2	

3605042	ams AG	30/07/2018	3605042	18186348.1	
3605379	Huawei Technologies Co., Ltd.	07/03/2018	3605379	18781150.0	
3605380	Palantir Technologies Inc.	28/12/2016	3605380	19195213.4	
3606101	YAMAHA CORPORATION	22/03/2017	3606101	17901485.7	
3606991	Synthomer Adhesive Technologies LLC	02/04/2018	3606991	18722776.4	
3608386	THE PILOT INK CO., LTD. KABUSHIKI KAISHA PILOT CORPORATION (also trading as PILOT CORPORATION)	06/04/2018	3608386	18781028.8	
3608885	Banks and Acquirers International Holding	02/08/2019	3608885	19189817.0	French
3609113	Huawei Technologies Co., Ltd.	09/08/2018	3609113	18843649.7	
3609216	Huawei Technologies Co., Ltd.	03/05/2018	3609216	18794466.5	
3609367	Bedgear, LLC	10/04/2018	3609367	18720740.2	
3610114	Inovues, Inc	12/04/2018	3610114	18783806.5	
3610298	Arriver Software LLC	13/03/2018	3610298	18715339.0	
3610868	GRI Bio, Inc.	25/05/2012	3610868	19173009.2	
3611243	Idemitsu Kosan Co., Ltd.	11/04/2018	3611243	18785151.4	
3614681	Panasonic Intellectual Property Management Co., Ltd.	26/02/2018	3614681	18788292.3	
3615004	Crititech, Inc.	13/06/2018	3615004	18735171.3	
3615605	Coe, William B.	20/04/2018	3615605	18790557.5	
3615685	Roswell Biotechnologies, Inc	25/04/2018	3615685	18790713.4	
3617213	Hanmi Pharm. Co., Ltd.	27/12/2012	3617213	19198802.1	
3617284	Seiko Epson Corporation	27/08/2019	3617284	19193922.2	
3617617	LG Electronics Inc.	27/04/2018	3617617	18792077.2	
3617975	Toshiba Tec Kabushiki Kaisha	19/08/2019	3617975	19192245.9	
3618743	Cousin Biotech	04/05/2018	3618743	18721047.1	French
3620465	Dako Denmark A/S	03/07/2008	3620465	19186979.1	
3621450	Nordic Bioproducts Group Oy	09/05/2018	3621450	18727344.6	
3624183	Sekisui Chemical Co., Ltd.	09/05/2018	3624183	18798148.5	
3624353	Huawei Technologies Co., Ltd.	02/06/2017	3624353	17911967.2	
3624448	Microsoft Technology Licensing, LLC	01/07/2013	3624448	19207170.2	
3624872	Fresenius Medical Care Deutschland GmbH	16/05/2018	3624872	18728540.8	German
3625249	argenx BV	10/05/2018	3625249	18725795.1	
3625366	Lightcast Discovery Ltd	15/05/2018	3625366	18722619.6	
3625428	Dziekonski, Mitchell Z.	18/05/2018	3625428	18802137.2	
3625686	THE SILK TECHNOLOGIES ILC LTD.	02/05/2018	3625686	18801975.6	
3626021	Apple Inc.	15/05/2018	3626021	18728503.6	
3626099	YKK CORPORATION	17/05/2018	3626099	18802800.5	
3626299	Terumo Kabushiki Kaisha	14/05/2018	3626299	18801402.1	
3626467	Canon Kabushiki Kaisha	09/05/2018	3626467	18824198.8	
3627645	Rolls-Royce plc	20/08/2019	3627645	19192472.9	
3629383	Mikuni Electron Corporation	24/09/2019	3629383	19199145.4	
3629961	Depuy Synthes Products, Inc.	12/02/2018	3629961	18805622.0	
3630004	Caisson Interventional, LLC	19/04/2018	3630004	18805727.7	
3633373	Hitachi Chemical Diagnostics Systems Co., Ltd.	30/05/2018	3633373	18810088.7	
3633830	Three Bond Co., Ltd.	16/05/2018	3633830	18806601.3	
3635552	Microsoft Technology Licensing, LLC	22/05/2018	3635552	18773662.4	
3636304	Dali Medical Devices Ltd.	08/10/2019	3636304	19201854.7	
3636507	Mobileye Vision Technologies Ltd.	20/03/2019	3636507	19194761.3	
3636803	Mitsubishi Materials Corporation	01/06/2018	3636803	18809582.2	
3637148	Raycan Technology Co., Ltd. (Suzhou)	27/10/2017	3637148	17919078.0	
3638275	Sami Labs Limited	08/11/2017	3638275	17910828.7	
3638857	Volvo Construction Equipment AB	13/06/2017	3638857	17729476.6	
3639321	Raytheon Company	08/06/2018	3639321	18735081.4	
3639777	Hsieh, Jui-Yang	12/07/2019	3639777	19186172.3	
3640063	Bridgestone Corporation	13/06/2018	3640063	18817127.6	
3640105	Mobileye Vision Technologies Ltd.	20/03/2019	3640105	19194770.4	
3640106	Mobileye Vision Technologies Ltd.	20/03/2019	3640106	19194772.0	
3640188	Otis Elevator Company	21/10/2019	3640188	19204438.6	

3641481	Sharp Kabushiki Kaisha	15/06/2018	3641481	18817515.2	
3642559	Ramböll Sweden AB	22/06/2017	3642559	17735031.1	
3642646	Koninklijke Philips N.V.	18/06/2018	3642646	18734144.1	
3642747	Illumina, Inc.	19/06/2018	3642747	18740026.2	
3642922	CommScope Connectivity Belgium BVBA	23/06/2018	3642922	18733602.9	
3644409	LG Energy Solution, Ltd.	03/12/2018	3644409	18904864.8	
3644667	Beijing Xiaomi Mobile Software Co., Ltd.	23/06/2017	3644667	17914509.9	
3644872	Incipio Devices SA	02/07/2018	3644872	18746742.8	
3646645	Qualcomm Incorporated	15/06/2018	3646645	18739994.4	
3647028	The Boeing Company	31/10/2019	3647028	19206607.4	
3647826	Tsinghua University	15/08/2019	3647826	19817109.2	
	Nuctech Company Limited				
3647935	Seiko Instruments Inc.	30/10/2019	3647935	19206162.0	
3649449	Endress+Hauser SE+Co. KG	19/06/2018	3649449	18732753.1	German
3649497	Corning Research & Development Corporation	05/07/2018	3649497	18828116.6	
	Open Text SA ULC	05/07/2018	3649566	18829109.0	
3649566	Open Text SA ULC	05/07/2018	3649566	18829109.0	
3649574	Microsoft Technology Licensing, LLC	21/06/2018	3649574	18740058.5	
3649667	DH Technologies Development PTE. Ltd.	29/06/2018	3649667	18827670.3	
3651151	Sony Group Corporation	21/06/2018	3651151	18828167.9	
3655625	Baker Hughes Holdings LLC	18/07/2018	3655625	18835576.2	
3657307	Shenzhen Aoto Electronics Co., Ltd.	20/12/2017	3657307	17917978.3	
3658018	SPINTECH, INC.	26/07/2017	3658018	17918854.5	
3658812	ContiTech Techno-Chemie GmbH	03/05/2018	3658812	18722474.6	German
3661697	3M Innovative Properties Company	09/07/2018	3661697	18752261.0	
3662317	Zhejiang Dahua Technology Co., Ltd.	04/09/2018	3662317	18851395.6	
3663071	Yoshino Kogyosho Co., Ltd.	05/07/2018	3663071	18840444.6	
3663274	The Chemours Company FC, LLC	04/08/2016	3663274	20154457.4	
3663553	FPT Motorenforschung AG	05/12/2019	3663553	19213964.0	
3664511	Sharp Kabushiki Kaisha	25/07/2018	3664511	18842274.5	
3665095	CHEP Technology Pty Limited	25/07/2018	3665095	18844649.6	
3665655	Koninklijke Philips N.V.	27/07/2018	3665655	18743822.1	
3667290	Sony Group Corporation	08/06/2018	3667290	18842889.0	
3667679	SUN-NANOTECHNOLOGY CO., LTD.	09/08/2018	3667679	18843387.4	
	Japan Atomic Energy Agency				
3668317	NUTRIEN AG SOLUTIONS (CANADA) INC.	16/08/2018	3668317	18845902.8	
	Micron Technology, Inc.	08/08/2018	3669359	18845816.0	
3669359	Micron Technology, Inc.	08/08/2018	3669359	18845816.0	
3669552	TGI Technology Pte Ltd	14/08/2018	3669552	18845590.1	
3669569	Sony Group Corporation	24/07/2018	3669569	18746664.4	
3670056	Lincoln Global, Inc.	25/10/2019	3670056	19205356.9	
3671307	Nanophoton Corporation	17/08/2018	3671307	18846177.6	
3671578	Bull SAS	19/12/2019	3671578	19218371.3	French
3672332	Apple Inc.	23/11/2012	3672332	20155304.7	
3672412	Franke Technology and Trademark Ltd	25/08/2018	3672412	18847525.5	
3673253	Cidra Corporate Services LLC	22/08/2018	3673253	18848874.6	
3673690	Telefonaktiebolaget LM Ericsson (PUBL)	07/09/2017	3673690	17764802.9	
3673762	NIKE Innovate C.V.	08/04/2015	3673762	20157455.5	
3674131	LG Energy Solution, Ltd.	19/02/2019	3674131	19766988.0	
3674765	Panduit Corp.	10/09/2015	3674765	20155620.6	
3674870	Dassault Systèmes	29/12/2018	3674870	18306884.0	
3675389	Huawei Technologies Co., Ltd.	18/04/2019	3675389	19807854.5	
3676022	Surrey Nanosystems Limited	08/10/2018	3676022	18808454.5	
3678107	BYD Company Limited	31/08/2018	3678107	18849689.7	
3678540	Samsung Electronics Co., Ltd.	05/09/2018	3678540	18854149.4	
3678589	JOTEC GmbH	06/09/2018	3678589	18773947.9	German
3679550	Fovo Technology Limited	31/08/2018	3679550	18766016.2	
3680749	Samsung Display Co., Ltd.	18/12/2019	3680749	19217409.2	
3682277	CommScope Technologies LLC	14/09/2018	3682277	18856715.0	
3684558	Telefonaktiebolaget LM Ericsson (publ)	18/09/2017	3684558	17771407.8	

3686025	Shoei Printing Co., Ltd. Tomoeogawa Corporation	20/09/2018	3686025	18859205.9	
3686802	StradVision, Inc.	14/01/2020	3686802	20151740.6	
3688277	TotalEnergies OneTech	26/09/2017	3688277	17794770.2	
3688773	Eastman Kodak Company	11/09/2018	3688773	18786898.9	
3688931	Sony Group Corporation	11/12/2018	3688931	18889620.3	
3689014	Samsung Electronics Co., Ltd.	30/05/2018	3689014	18862732.7	
3689421	MiMedx Group, Inc.	08/09/2008	3689421	20153610.9	
3689564	ZÜND SYSTEMTECHNIK AG	01/02/2019	3689564	19155065.6	German
3689962	Sekisui Chemical Co., Ltd. Tokuyama Sekisui Co., Ltd.	26/09/2018	3689962	18860118.1	
3691561	Solventum Intellectual Properties Company	18/09/2018	3691561	18864206.0	
3691625	Gedea Biotech AB	05/10/2018	3691625	18788687.4	
3693283	Kikkoman Corporation	27/09/2018	3693283	18864734.1	
3693473	Myriad Genetics, Inc.	15/06/2012	3693473	19216734.4	
3695221	Baker Hughes Energy Services LLC	12/10/2018	3695221	18866404.9	
3695307	InterDigital Madison Patent Holdings, SAS	12/10/2018	3695307	18829976.2	
3695935	Redaelli, Paolo	29/01/2020	3695935	20154330.3	
3696171	Gilead Sciences, Inc.	06/07/2007	3696171	20167933.9	
3696211	Zeon Corporation Sumitomo Chemical Company, Ltd. ZS Elastomers Co., Ltd.	28/09/2018	3696211	18865986.6	
3696456	Nippon Steel Corporation Vallourec Oil and Gas France	12/10/2018	3696456	18866707.5	
3696947	LG Innotek Co., Ltd.	11/10/2018	3696947	18866712.5	
3697954	Columbia Sportswear North America, Inc.	16/10/2018	3697954	18868616.6	
3698116	Ishida Europe Limited GasPorOx AB	16/10/2018	3698116	18788745.0	
3698242	Google LLC	17/06/2019	3698242	19735073.9	
3698295	Xilinx, Inc.	01/10/2018	3698295	18792718.1	
3698476	Microsoft Technology Licensing, LLC	10/10/2018	3698476	18800361.0	
3699767	Realtek Semiconductor Corp.	21/02/2019	3699767	19158480.4	
3699955	TDK Corporation	16/10/2017	3699955	17929307.1	
3700188	Nokia Technologies Oy	20/02/2019	3700188	19158220.4	
3700483	Solventum Intellectual Properties Company	23/10/2018	3700483	18801130.8	
3702518	Mitsubishi Corporation	17/10/2018	3702518	18870216.1	
3703046	BOE Technology Group Co., Ltd. Ordos Yuansheng Optoelectronics Co., Ltd.	07/08/2018	3703046	18871724.3	
3703555	Medtronic, Inc.	29/10/2018	3703555	18804775.7	
3703630	Aventamed Designated Activity Company	02/11/2018	3703630	18793437.7	
3704025	I.M.A. Industria Macchine Automatiche S.p.A.	24/10/2018	3704025	18800769.4	
3704518	VC VIII Polytech Holding ApS	22/10/2018	3704518	18795390.6	German
3705949	ETA SA Manufacture Horlogère Suisse	05/03/2019	3705949	19160841.3	French
3706074	Beijing Keeyoo Technologies Co., Ltd.	17/10/2018	3706074	18872141.9	
3706947	General Electric Company	12/09/2018	3706947	18876973.1	
3707316	REHAU Industries SE & Co. KG	05/11/2018	3707316	18803576.0	German
3707502	Halliburton Energy Services, Inc.	26/10/2018	3707502	18875594.6	
3709077	KEIWA Incorporated	08/11/2019	3709077	19207958.0	
3709246	HUAWEI TECHNOLOGIES CO., LTD.	28/12/2018	3709246	18898922.2	
3710213	Westlake Epoxy Inc.	30/08/2018	3710213	18769032.6	
3710629	Wilana Chemical LLC	14/11/2018	3710629	18877387.3	
3710833	Fachhochschule Südwestfalen	12/11/2018	3710833	18807229.2	German
3711004	Google LLC	15/12/2017	3711004	17829419.5	
3711296	ATI Technologies ULC	27/09/2018	3711296	18877392.3	
3711960	Ricoh Company, Ltd.	14/03/2017	3711960	20172703.9	
3713216	CANON KABUSHIKI KAISHA	04/12/2018	3713216	18893142.2	
3713305	QUALCOMM Incorporated	15/10/2010	3713305	20172932.4	
3713316	Huawei Technologies Co., Ltd.	23/10/2018	3713316	18878884.8	
3713334	NEC Corporation	14/08/2018	3713334	18877156.2	
3713563	KHONDRION IP B.V.	22/11/2018	3713563	18804003.4	

3714192	Haldex Brake Products AB	27/09/2018	3714192	18779649.5	
3715576	Veka AG	10/03/2020	3715576	20162047.3	German
3716045	Juniper Networks, Inc.	20/06/2019	3716045	19181483.9	
3716563	Huawei Technologies Co., Ltd.	05/12/2018	3716563	18886232.0	
3717837	Officine Termotecniche Fraccaro O.T.F. S.r.l.	28/11/2018	3717837	18829985.3	
3718048	Samsung Electronics Co., Ltd.	28/08/2018	3718048	18917835.3	
3718745	Concept Laser GmbH	02/04/2019	3718745	19166767.4	
3719854	Sunflare Co.	01/04/2020	3719854	20167490.0	
3720069	HUAWEI TECHNOLOGIES CO., LTD.	31/12/2017	3720069	17936799.0	
3720241	Beijing Xiaomi Mobile Software Co., Ltd.	14/12/2017	3720241	17934982.4	
3720274	University Of Kentucky Research Foundation	06/12/2018	3720274	18886732.9	
	R. J. Reynolds Tobacco Company				
3720603	Samplix ApS	04/12/2018	3720603	18812167.7	
3721182	Cytiva Sweden AB	04/12/2018	3721182	18814585.8	
3721714	Carrier Corporation	01/04/2020	3721714	20167512.1	
3722170	Robert Bosch GmbH	04/12/2018	3722170	18829989.5	
3722324	Nippon Paper Industries Co., Ltd.	05/12/2018	3722324	18886316.1	
3723064	Nissan Motor Co., Ltd.	05/12/2017	3723064	17934145.8	
3723153	Contemporary Amperex Technology (Hong Kong) Limited	31/07/2019	3723153	19189288.4	
3724412	Pendlebury, Leonard	11/12/2018	3724412	18836609.0	
3725835	NEC Corporation	17/12/2018	3725835	18889911.6	
3726048	Ningbo Geely Automobile Research & Development Co. Ltd.	15/04/2019	3726048	19169216.9	
3726463	NEC Corporation	14/12/2017	3726463	17934746.3	
3726481	RTX Corporation	17/04/2020	3726481	20170086.1	
3727029	Hamlet Protein A/S	20/12/2018	3727029	18822088.3	
3727466	uniQure IP B.V.	21/12/2018	3727466	18826370.1	
3727712	ArcelorMittal	19/12/2018	3727712	18833537.6	
3728402	Solvay Specialty Polymers USA, LLC.	20/12/2018	3728402	18822098.2	
3728429	Henkel AG & Co. KGaA	22/12/2017	3728429	17935409.7	
3728691	COMPAGNIE GENERALE DES ETABLISSEMENTS MICHELIN	18/12/2018	3728691	18833960.0	French
3729081	F. Hoffmann-La Roche AG	20/12/2018	3729081	18822071.9	
3729133	Surf Technology AS	25/01/2019	3729133	19712014.0	
3729393	FIDELITY ADT (PTY) LIMITED	10/12/2018	3729393	18834033.5	
3729690	TELEFONAKTIEBOLAGET LM ERICSSON (PUBL)	21/12/2017	3729690	17828912.0	
3729930	Overum Industries AB	25/04/2019	3729930	19171233.0	
3729931	Overum Industries AB	18/10/2019	3729931	19204069.9	
3730297	Mitsubishi Chemical Corporation	20/11/2015	3730297	20171476.3	
3730526	DIC Corporation	20/11/2018	3730526	18893136.4	
3731243	Prysmian S.p.A. Politecnico di Milano	25/04/2019	3731243	19382315.0	
3731256	JEOL Ltd.	19/03/2020	3731256	20164280.8	
3731281	NXP B.V.	24/04/2019	3731281	19170824.7	
3731417	Biosense Webster (Israel) Ltd. Stichting voor de Technische Wetenschappen Technische Universiteit Delft	24/04/2020	3731417	20171243.7	
3731460	Juniper Networks, Inc.	21/06/2019	3731460	19181759.2	
3731505	Vivo Mobile Communication Co., Ltd.	18/12/2018	3731505	18892282.7	
3731569	NTT DOCOMO, INC.	12/09/2018	3731569	18900535.8	
3731737	Medlumics S.L.	20/12/2018	3731737	18833229.0	
3731903	Becton, Dickinson and Company	21/12/2018	3731903	18897765.6	
3732027	Lawrence Livermore National Security, LLC	06/12/2018	3732027	18894862.4	
3732252	Dow Global Technologies LLC	28/12/2017	3732252	17935980.7	

3732680	Harman International Industries, Incorporated	31/12/2018	3732680	18845450.8	
3733090	Touchstone International Medical Science Co., Ltd.	19/12/2018	3733090	18896785.5	
3734045	Hamilton Sundstrand Corporation	20/11/2019	3734045	19210403.2	
3735575	Genomtec SA	19/12/2018	3735575	18898287.0	
3736558	Garrett Thermal Systems Ltd	03/05/2010	3736558	20174153.5	
3736583	NXP USA, Inc.	06/05/2020	3736583	20173196.5	
3736643	Omega SA	08/05/2019	3736643	19173326.0	French
3738405	Nokia Technologies Oy	19/12/2018	3738405	18839534.7	
3738553	Biomet Manufacturing, LLC	14/04/2016	3738553	19202108.7	
3738907	Dematic GmbH	05/05/2020	3738907	20173056.1	German
3739371	Intelligent Imaging Innovations, Inc.	12/05/2020	3739371	20174162.6	
3740057	MacDon Industries Ltd.	14/01/2019	3740057	19741245.5	
3741132	QUALCOMM INCORPORATED	18/01/2019	3741132	19704692.3	
3741325	Boston Scientific Scimed Inc.	18/06/2015	3741325	20174395.2	
3743891	Google LLC	10/06/2019	3743891	19733637.3	
3744863	Speira GmbH	14/05/2020	3744863	20174644.3	German
3748065	AQUITEX ACABAMENTOS QUÍMICOS TÊXTEIS, SA	06/06/2019	3748065	19178847.0	
3750151	Innovations Mindtrick Inc.	29/08/2018	3750151	18851801.3	
3751719	Physik Instrumente (PI) SE & Co. KG	13/06/2019	3751719	19180082.0	
3751819	CONNECTFREE CORPORATION	12/09/2018	3751819	18904797.0	
3753600	CereVasc, Inc.	30/10/2015	3753600	20189096.9	
3756280	QUALCOMM Incorporated	09/01/2019	3756280	19704083.5	
3757603	Sony Semiconductor Solutions Corporation	19/02/2019	3757603	19757730.7	
3757903	Robert Bosch GmbH	26/06/2019	3757903	19182515.7	
3757937	Tencent Technology (Shenzhen) Company Limited	18/04/2019	3757937	19803023.1	
3758160	Aptiv Technologies AG	27/06/2020	3758160	20182752.4	
3759235	The Board Of Trustees Of The Leland Stanford Junior University	28/01/2019	3759235	19760491.1	
3759241	F. Hoffmann-La Roche AG Kapa Biosystems, Inc.	28/02/2019	3759241	19708298.5	
3760220	Seikagaku Corporation	27/02/2019	3760220	19760698.1	
3760311	CIMC Liquid Process Technology Co., Ltd. Ziemann Holvrieka GmbH	05/05/2020	3760311	20172892.0	German
3760779	Qingdao Haier Washing Machine Co., Ltd. Qingdao Haier Smart Technology R&D Co., Ltd. Haier Smart Home Co., Ltd.	21/02/2019	3760779	19759943.4	
3761165	Huizhou TCL Mobile Communication Co., Ltd	28/02/2019	3761165	19759967.3	
3761873	Newsouth Innovations Pty Limited	06/03/2019	3761873	19763893.5	
3764449	Zeon Corporation	01/02/2019	3764449	19756683.9	
3764471	NOK Corporation	05/03/2019	3764471	19763909.9	
3765144	Kyon AG	11/03/2019	3765144	19708580.6	
3765274	bdtronic GmbH	12/03/2019	3765274	19711299.8	German
3765668	VALMET AB	28/01/2019	3765668	19767493.0	
3766128	TTP PLC	12/03/2019	3766128	19714717.6	
3767503	Siemens Aktiengesellschaft	18/07/2019	3767503	19187039.3	German
3767508	HUAWEI TECHNOLOGIES CO., LTD.	05/03/2019	3767508	19775053.2	
3767536	Naver Corporation	17/07/2019	3767536	19305943.3	
3767594	BANDAI NAMCO Entertainment Inc.	24/01/2019	3767594	19750697.5	
3768123	Bussert Medical, Inc.	22/03/2019	3768123	19772562.5	
3768212	STERIS Solutions Limited	03/04/2019	3768212	19716130.0	
3768740	ExxonMobil Chemical Patents Inc.	18/03/2019	3768740	19770688.0	
3768762	Momentive Performance Materials Inc.	14/03/2019	3768762	19713995.9	
3769134	CommScope Technologies LLC	19/03/2019	3769134	19771409.0	
3769218	Veritas Technologies LLC	21/03/2019	3769218	19718494.8	
3769409	Siemens Aktiengesellschaft	15/05/2019	3769409	19727861.7	German

3769717	Medtronic, Inc.	22/10/2014	3769717	20176216.8	
3770054	SRAM Deutschland GmbH	09/10/2015	3770054	20000324.2	German
3770154	Kureha Corporation	06/03/2019	3770154	19771646.7	
3770302	Université Paris Cité	22/07/2019	3770302	19305971.4	
	CENTRE NATIONAL DE LA RECHERCHE SCIENTIFIQUE - CNRS				
3770665	Ricoh Company, Ltd.	20/07/2020	3770665	20186659.7	
3771237	Panasonic Intellectual Property Management Co., Ltd.	24/07/2019	3771237	19187971.7	
3771608	ALSTOM Holdings	30/07/2020	3771608	20188679.3	German
3772713	Siemens Aktiengesellschaft	08/08/2019	3772713	19190748.4	German
3772734	Samsung Electronics Co., Ltd.	08/04/2020	3772734	20168823.1	
3772851	Mitel Networks Corporation	10/08/2020	3772851	20190236.8	
3773187	Medtronic, Inc.	29/03/2019	3773187	19722289.6	
3773257	MERIT MEDICAL SYSTEMS, INC.	10/04/2019	3773257	19784978.9	
3774418	Ningbo Geely Automobile Research & Development Co., Ltd.	10/04/2019	3774418	19785816.0	
3774440	VOLKSWAGEN AKTIENGESELLSCHAFT	12/04/2019	3774440	19718304.9	German
3774515	Kongsberg Maritime Finland Oy	15/03/2019	3774515	19778259.2	
3776106	Linde GmbH	18/03/2019	3776106	19711817.7	German
3776264	British Telecommunications public limited company	11/03/2019	3776264	19710407.8	
3777460	Lenovo (Singapore) Pte. Ltd.	06/04/2018	3777460	18717315.8	
3779354	LG Electronics Inc.	02/04/2019	3779354	19781408.0	
3779527	RealD Spark, LLC	13/04/2016	3779527	20189810.3	
3779705	HUAWEI TECHNOLOGIES CO., LTD.	13/04/2018	3779705	18912193.2	
3780432	HUAWEI TECHNOLOGIES CO., LTD.	28/04/2018	3780432	18916955.0	
3780558	Schneider Electric Industries SAS	14/08/2019	3780558	19306012.6	
3780723	KDDI Corporation	06/11/2018	3780723	18912903.4	
3782111	Novasparks, Inc.	16/04/2019	3782111	19723920.5	
3782515	Nisco Co., Ltd.	18/08/2020	3782515	20191433.0	
3782557	C. R. Bard, Inc.	20/11/2013	3782557	20198654.4	
3782769	Huber Diffractionstechnik GmbH & Co. KG	20/08/2020	3782769	20192034.5	
3783049	NEIMENGGU TUWEI NEW MATERIALS TECHNOLOGY CO., LTD.	16/04/2019	3783049	19789383.7	
3783713	Samsung SDI Co., Ltd.	19/08/2020	3783713	20191719.2	
3783809	Sony Group Corporation	10/05/2019	3783809	19802773.2	
3784132	Varian Medical Systems, Inc.	26/04/2019	3784132	19791718.0	
3784664	Pfizer Inc.	22/04/2019	3784664	19727502.7	
3784709	Covestro LLC	23/04/2019	3784709	19727146.3	
3785296	Cisco Technology, Inc.	19/04/2019	3785296	19721958.7	
3785710	Jazz Pharmaceuticals Operations UK Limited	04/06/2009	3785710	20201377.7	
3785870	Airex AG	02/09/2019	3785870	19194898.3	German
3786410	Hörmann KG Freisen	04/08/2020	3786410	20189431.8	German
3786424	MAN Truck & Bus SE	24/08/2020	3786424	20192339.8	German
3786742	SZ DJI Technology Co., Ltd.	30/05/2014	3786742	20200539.3	
3788471	Microsoft Technology Licensing, LLC	25/04/2019	3788471	19729907.6	
3789424	Julius-Maximilians-Universität Würzburg	09/09/2019	3789424	19196221.6	
3790454	University of Washington	10/05/2019	3790454	19799233.2	
3790505	Spectrum Medical Ltd.	07/06/2019	3790505	19730514.7	
3791147	Endress+Hauser Wetzler GmbH+CO. KG	12/04/2019	3791147	19719202.4	German
3791506	QUALCOMM Incorporated	09/05/2019	3791506	19725598.7	
3791518	QUALCOMM Incorporated	09/05/2019	3791518	19725609.2	
3792600	TE Connectivity Belgium BVBA TE Connectivity Germany GmbH	12/09/2019	3792600	19196866.8	
3792741	HUAWEI TECHNOLOGIES CO., LTD.	29/06/2018	3792741	18924330.6	
3792814	Volvo Car Corporation	10/09/2019	3792814	19196450.1	
3792952	FEI Company	16/09/2019	3792952	19197530.9	

3793093	Siemens Rail Automation S.A.U.	10/09/2019	3793093	19380018.2	
3793771	Festool GmbH	15/05/2019	3793771	19725107.7	German
3793934	The Administrators of The Tulane Educational Fund	13/05/2019	3793934	19803795.4	
3794335	Femtometrix, Inc.	14/05/2019	3794335	19803197.3	
3795100	Dornier MedTech Systems GmbH	20/09/2019	3795100	19198812.0	
3795846	Habermaass Family GmbH	21/04/2017	3795846	20193061.7	German
3796065	Leica Microsystems CMS GmbH	20/09/2019	3796065	19198728.8	
3796091	Toshiba TEC Kabushiki Kaisha	10/09/2020	3796091	20195496.3	
3796101	Nivarox-FAR S.A.	20/09/2019	3796101	19198759.3	French
3796163	HUAWEI TECHNOLOGIES CO., LTD.	25/06/2019	3796163	19825411.2	
3796228	Robert Bosch GmbH	20/09/2019	3796228	19198520.9	
3796847	Boston Scientific Scimed, Inc.	30/04/2019	3796847	19723968.4	
3797135	Borealis AG	23/05/2019	3797135	19725994.8	
3797305	Université de Rennes Institut National de la Santé et de la Recherche Médicale (INSERM)	21/06/2019	3797305	19734727.1	
3797505	Samsung Electronics Co., Ltd.	12/06/2019	3797505	19819353.4	
3797923	OHKITA SEISAKUSYO	09/01/2020	3797923	20786687.2	
3798741	Greubel Forsey S.A.	30/09/2019	3798741	19200461.2	French
3798814	CANON KABUSHIKI KAISHA	19/11/2013	3798814	20199910.9	
3799323	HUAWEI TECHNOLOGIES CO., LTD.	31/07/2018	3799323	18928599.2	
3799786	Bittium Biosignals Oy	30/09/2020	3799786	20199144.5	
3799805	K2M, Inc.	01/10/2020	3799805	20199708.7	
3800660	STMicroelectronics S.r.l.	29/09/2020	3800660	20198891.2	
3800703	LG Energy Solution, Ltd.	23/10/2019	3800703	19884279.1	
3800843	Huawei Technologies Co., Ltd.	17/06/2019	3800843	19825401.3	
3801009	Assentoft Holding PDN ApS	06/06/2019	3801009	19814503.9	
3801527	Intra-Cellular Therapies, Inc.	07/06/2019	3801527	19815161.5	
3801577	University Health Network (UHN)	30/05/2019	3801577	19811896.0	
3802483	Tubitak	31/05/2019	3802483	19737897.9	
3802639	W. R. Grace & Co.-Conn.	07/06/2019	3802639	19818756.9	
3803339	Revvity Health Sciences, Inc.	10/06/2019	3803339	19734558.0	
3803504	BOE TECHNOLOGY GROUP CO., LTD.	31/05/2018	3803504	18884857.6	
3803914	Höganäs AB (publ)	28/05/2019	3803914	19726005.2	
3804296	LYNRED	07/06/2019	3804296	19728452.4	
3804328	Proprio, Inc.	28/06/2019	3804328	19824848.6	
3804638	Critical Innovations, LLC	09/10/2020	3804638	20200993.2	
3804685	Allen Medical Systems, Inc.	20/02/2019	3804685	20209799.4	
3805246	Hybio Pharmaceutical Co., Ltd.	30/05/2018	3805246	18921212.9	
3805272	Nova Advanced Materials Co., Ltd Novashin Co., Ltd	05/09/2019	3805272	19864067.4	
3805858	Beijing Xiaomi Mobile Software Co., Ltd.	10/03/2020	3805858	20162085.3	
3805906	Continental Automotive Technologies GmbH	24/09/2020	3805906	20198047.1	German
3805967	Nokia Solutions and Networks Oy	09/10/2019	3805967	19202236.6	
3805994	Samsung Electronics Co., Ltd. Korea Advanced Institute of Science and Technology	02/07/2020	3805994	20183579.0	
3806317	Siemens Gamesa Renewable Energy A/S	08/10/2019	3806317	19202029.5	
3806403	Samsung Sds Co., Ltd.	22/05/2019	3806403	19810683.3	
3807723	Manufacture d'Horlogerie Audemars Piguet SA	18/06/2019	3807723	19762459.6	French
3808100	HUAWEI TECHNOLOGIES CO., LTD.	06/08/2018	3808100	18752731.2	
3808307	Align Technology, Inc.	21/05/2015	3808307	20203594.5	
3808707	ECOPRO BM CO., LTD.	06/10/2020	3808707	20200217.6	
3809138	Lumito AB	08/06/2018	3809138	20196330.3	
3809671	HUAWEI TECHNOLOGIES CO., LTD.	04/07/2018	3809671	18925355.2	
3809804	Britze electronic GmbH	06/10/2020	3809804	20200212.7	German
3809941	Samsung Electronics Co., Ltd.	28/06/2019	3809941	19847312.6	
3810068	RHODIA OPERATIONS	13/06/2019	3810068	19729318.6	

3810213	University of Pittsburgh - of the Commonwealth System of Higher Education	20/06/2019	3810213	19822682.1	
3810220	Fresenius Medical Care Deutschland GmbH	13/06/2019	3810220	19730761.4	German
3811224	Ecolink Intelligent Technology, Inc.	18/06/2019	3811224	19822436.2	
3811270	Hewlett-Packard Development Company, L.P.	21/06/2018	3811270	18923539.3	
3811959	Neo Cremar Co., Ltd.	17/06/2020	3811959	20826227.9	
3812045	Terex GB Limited	22/10/2020	3812045	20203464.1	
3812069	OSG Corporation	22/06/2018	3812069	18923218.4	
3812245	Volvo Car Corporation	23/10/2019	3812245	19204821.3	
3812517	Sumitomo (S.H.I.) Construction Machinery Co., Ltd.	28/05/2019	3812517	19822558.3	
3812772	Hôpitaux Universitaires de Strasbourg (HUS) INSERM - Institut National de la Santé et de la Recherche Médicale	14/05/2020	3812772	20174840.7	
3813027	Align Technology, Inc.	19/07/2011	3813027	20212905.2	
3813059	Genesys Cloud Services, Inc.	19/12/2019	3813059	19218256.6	
3813556	Aussie Wine Group Holdings Pty Ltd.	28/06/2019	3813556	19825722.2	
3814149	ACTEGA Schmid Rhyner AG	17/06/2019	3814149	19732574.9	German
3814951	Juul Labs, Inc.	27/06/2019	3814951	19744946.5	
3815180	Google LLC	05/06/2019	3815180	19733281.0	
3815565	Tan, Bowen	29/06/2018	3815565	18924797.6	
3815826	KABUSHIKI KAISHA KOBE SEIKO SHO (KOBE STEEL, LTD.)	31/05/2019	3815826	19824965.8	
3816277	Seoul National University R & DB Foundation	28/06/2019	3816277	19825305.6	
3816764	HUAWEI TECHNOLOGIES CO., LTD.	29/11/2019	3816764	19905266.3	
3816794	HUAWEI TECHNOLOGIES CO., LTD.	27/05/2019	3816794	19811771.5	
3817128	LG Energy Solution, Ltd.	19/11/2019	3817128	19893408.5	
3817412	Honeywell International Inc.	14/10/2020	3817412	20201897.4	
3817601	KT&G Corporation	16/03/2020	3817601	20774763.5	
3817784	Université de Strasbourg Institut National de la Santé et de la Recherche Médicale (INSERM) Spartha Medical	02/11/2018	3817784	18793441.9	
3818938	Biosense Webster (Israel) Ltd.	04/11/2020	3818938	20205754.3	
3819369	Sapporo Medical University Nipro Corporation	04/07/2019	3819369	19831365.2	
3819460	Equanostic AS	03/11/2020	3819460	20275166.5	
3819479	RTX Corporation	04/11/2020	3819479	20205719.6	
3819718	ROLEX SA	08/11/2019	3819718	19207925.9	
3819889	NISSAN MOTOR CO., LTD. Renault s.a.s	04/07/2018	3819889	18925304.0	
3819980	Robert Bosch GmbH	02/10/2020	3819980	20199806.9	German
3820110	HUAWEI TECHNOLOGIES CO., LTD.	27/09/2019	3820110	19875905.2	
3820417	Solventum Intellectual Properties Company	09/07/2019	3820417	19745489.5	
3820638	Viant AS&O Holdings, LLC	11/07/2019	3820638	19834080.4	
3820759	Siemens Mobility GmbH	02/09/2019	3820759	19769067.0	German
3822381	NIPPON STEEL CORPORATION	09/07/2019	3822381	19835123.1	
3822859	Beijing Xiaomi Intelligent Technology Co., Ltd.	04/06/2020	3822859	20178354.5	
3823216	HUAWEI TECHNOLOGIES CO., LTD.	30/05/2015	3823216	20191919.8	
3823950	SABIC Global Technologies B.V.	22/07/2019	3823950	19759747.9	
3824436	InterDigital CE Patent Holdings, SAS	17/07/2019	3824436	19740570.7	
3824469	Creoptix AG	29/05/2019	3824469	19746143.7	
3824731	Transmedics, Inc.	07/09/2016	3824731	20206681.7	
3824994	RF-Tec GmbH	19/11/2019	3824994	19209941.4	German
3825737	Hellma Materials GmbH	23/11/2020	3825737	20209340.7	German

3826909	Montague Corporation	23/07/2018	3826909	18927620.7	
3827665	Consejo Superior de Investigaciones Científicas (CSIC)	26/11/2019	3827665	19383042.9	
3828220	Sumitomo Bakelite Co.Ltd.	07/08/2020	3828220	20850968.7	
3829129	Google LLC	26/11/2019	3829129	19306521.6	
3829208	GUANGDONG OPPO MOBILE TELECOMMUNICATIONS CORP., LTD.	09/08/2018	3829208	18929606.4	
3829245	ZTE Corporation	10/08/2020	3829245	20852512.1	
3829354	Fontem Ventures B.V.	01/08/2018	3829354	18928534.9	
3829802	Ceratizit Austria Gesellschaft m.b.H.	27/06/2019	3829802	19739852.2	German
3830116	University of Cincinnati	05/08/2019	3830116	19844801.1	
3830207	Lohmann GmbH & Co. KG	31/07/2019	3830207	19749308.3	German
3830284	MOLOGIC LTD.	26/07/2019	3830284	19748918.0	
3830299	GENENTECH, INC. Foundation Medicine, Inc. F. Hoffmann-La Roche AG	31/07/2019	3830299	19753542.0	
3830728	McAfee, LLC	29/07/2019	3830728	19843471.4	
3831217	NGN Healthcare - New Generation Nutraceuticals S.r.l.	04/12/2020	3831217	20211734.7	
3831227	Japan Tobacco Inc.	30/07/2018	3831227	18928750.1	
3831291	Erbe Elektromedizin GmbH	05/12/2019	3831291	19213828.7	German
3831413	Tecrea Limited	11/10/2012	3831413	21150737.1	
3831623	BRIDGESTONE CORPORATION	19/07/2019	3831623	19869297.2	
3831717	Airbus Operations GmbH Airbus (S.A.S.)	02/12/2019	3831717	19212887.4	German
3831916	Fil-Tec Holdings, Inc.	04/12/2020	3831916	20211891.5	
3832032	Hitachi Construction Machinery Co., Ltd.	13/12/2019	3832032	19923294.3	
3832261	Mobileye Vision Technologies Ltd.	03/04/2019	3832261	20216707.8	
3832759	Panasonic Intellectual Property Management Co., Ltd.	26/06/2019	3832759	19844602.3	
3833152	VIVO MOBILE COMMUNICATION CO., LTD.	19/07/2019	3833152	19843355.9	
3833496	Kerpua Solutions Oy	29/01/2020	3833496	20756087.1	
3833956	Envea UK Ltd	09/08/2019	3833956	19753464.7	
3834750	Intocare Medical Technology (Suzhou) Co., Ltd.	13/11/2019	3834750	19891147.1	
3835090	Bridgestone Corporation	18/06/2019	3835090	19847822.4	
3835147	ROSEMOUNT AEROSPACE INC.	14/12/2020	3835147	20213920.0	
3835300	CSPC Zhongqi Pharmaceutical Technology (Shijiazhuang) Co., Ltd.	29/08/2019	3835300	19858287.6	
3835627	Krausz Industries Ltd.	09/12/2020	3835627	20212625.6	
3836103	Carrier Corporation	07/12/2020	3836103	20212267.7	
3836244	LG Energy Solution, Ltd.	11/09/2019	3836244	19863210.1	
3836994	Sanofi	13/08/2019	3836994	19752209.7	
3837097	Andis Company	15/08/2019	3837097	19850550.5	
3838474	JFE Steel Corporation KABUSHIKI KAISHA KOBE SEIKO SHO (KOBE STEEL, LTD.)	01/04/2019	3838474	19851917.5	
3838645	Flex-N-Gate France	18/12/2020	3838645	20215366.4	French
3838718	ALSTOM Holdings	21/12/2020	3838718	20216107.1	
3839183	Torrabias Cantal, Oscar	04/12/2020	3839183	20383059.1	
3839228	General Electric Technology GmbH	04/12/2020	3839228	20211967.3	
3840502	Huawei Technologies Co., Ltd.	30/08/2019	3840502	19856332.2	
3840958	Covestro Deutschland AG	22/08/2019	3840958	19755643.4	German
3841598	Fogelberg Consulting AB	09/08/2019	3841598	19852885.3	
3842443	Cerenis Therapeutics Holding SA	14/03/2014	3842443	20214357.4	
3842876	The Swatch Group Research and Development Ltd	04/09/2020	3842876	20194692.8	French
3843055	Sanden Retail Systems Corporation	11/11/2019	3843055	19885386.3	
3843558	Innophos, LLC	12/07/2019	3843558	19746307.8	
3844034	Autoliv ASP, Inc.	08/08/2019	3844034	19853802.7	

3844251	TotalEnergies OneTech	23/08/2019	3844251	19758410.5	French
3844348	Doosan Bobcat North America, Inc.	30/08/2019	3844348	19769324.5	
3844557	VR Coaster GmbH & Co. KG	30/08/2019	3844557	19765202.7	German
3844807	MACOM Technology Solutions (France)	23/08/2019	3844807	19779058.7	French
3844902	QUALCOMM Incorporated	30/08/2019	3844902	19768980.5	
3844960	HUAWEI TECHNOLOGIES CO., LTD.	27/12/2019	3844960	19904115.3	
3845481	OTIS Elevator Company	13/11/2020	3845481	20207605.5	
3846170	Samsung Electronics Co., Ltd.	30/12/2020	3846170	20217748.1	
3846334	Creative Technology Corporation	31/08/2020	3846334	20864156.3	
3846420	Huawei Technologies Co., Ltd.	17/09/2018	3846420	18934483.1	
3846867	Biomodics APS	06/09/2019	3846867	19765725.7	
3847537	Google LLC	09/11/2018	3847537	18826120.0	
3848035	PTC Therapeutics, Inc.	11/12/2016	3848035	21158464.4	
3848621	SMC Corporation	11/10/2019	3848621	19879600.5	
3849104	Viavi Solutions Inc.	03/11/2020	3849104	20205381.5	
3849349	RAI Strategic Holdings, Inc.	06/09/2019	3849349	19773609.3	
3849723	WAFIOS Aktiengesellschaft	13/08/2019	3849723	19753357.3	German
3850285	Fisher & Paykel Appliances Limited	12/09/2019	3850285	19859114.1	
3850430	Charles Beseler Company	12/09/2019	3850430	19779247.6	
3850452	ABB Schweiz AG	12/09/2019	3850452	19809609.1	
3850780	Apple Inc.	28/10/2019	3850780	19880281.1	
3850898	Telefonaktiebolaget LM Ericsson (publ)	13/12/2018	3850898	18943268.5	
3851290	Giesecke+Devrient Currency Technology GmbH	03/12/2010	3851290	21020030.9	German
3852274	Huawei Technologies Co., Ltd.	24/12/2019	3852274	19910624.6	
3852430	Huawei Technologies Co., Ltd.	20/09/2019	3852430	19866178.7	
3852674	Solventum Intellectual Properties Company	17/09/2019	3852674	19773192.0	
3852916	Givaudan SA	11/09/2019	3852916	19769107.4	
3853098	Siemens Mobility, Inc.	13/11/2019	3853098	19817842.8	
3853218	Crinetics Pharmaceuticals, Inc.	17/09/2019	3853218	19863395.0	
3854137	Samsung Electronics Co., Ltd.	23/09/2019	3854137	19863532.8	
3854446	Abiomed Europe GmbH	16/10/2017	3854446	21162215.4	
3855209	Hesai Technology Co., Ltd.	31/07/2019	3855209	19814737.3	
3855814	HUAWEI TECHNOLOGIES CO., LTD.	11/08/2016	3855814	20214795.5	
3856402	Advantron Technologies LLC	24/09/2019	3856402	19868856.6	
3857301	SAINT-GOBAIN GLASS FRANCE	27/09/2019	3857301	19773133.4	French
3857405	GloBra GmbH	28/09/2018	3857405	18780105.5	German
3857672	Schleef, Jochen	24/09/2019	3857672	19783447.6	German
3857731	Nokia Technologies Oy	27/09/2018	3857731	18935535.7	
3857892	TENCENT AMERICA LLC	06/03/2020	3857892	20771112.8	
3859369	Juniper Networks, Inc.	17/09/2020	3859369	20196701.5	
3859825	Ningbo Zhiliang New Energy Co., Ltd.	28/09/2018	3859825	18935918.5	
3859983	Nokia Solutions and Networks Oy	31/01/2020	3859983	20154975.5	
3860283	NTT DOCOMO, INC.	27/09/2018	3860283	18934901.2	
3860374	KT & G Corporation	10/11/2020	3860374	20855820.5	
3860404	Kaiser, Thomas Wassermann, Christian	06/10/2019	3860404	19794093.5	German
3861005	Firmenich Incorporated	01/04/2020	3861005	20722045.0	
3861233	VOLVO TRUCK CORPORATION	01/10/2018	3861233	18785879.0	
3862665	LG Electronics Inc.	01/10/2019	3862665	19868711.3	
3862685	LG Electronics Inc.	01/10/2019	3862685	19870026.2	
3862686	LG Electronics Inc.	01/10/2019	3862686	19870027.0	
3862859	Guangzhou Shizhen Information Technology Co., Ltd. Guangzhou Shiyuan Electronics Co., Ltd.	28/11/2019	3862859	19924286.8	
3863527	Sony Group Corporation	27/09/2019	3863527	19783746.1	
3863831	Eastman Chemical Company	08/10/2019	3863831	19794355.8	
3864009	Sareum Limited	07/10/2019	3864009	19794095.0	
3864582	Google LLC	29/07/2019	3864582	19752352.5	
3865450	NIKE Innovate C.V.	16/11/2012	3865450	21164137.8	
3866098	Honeywell International Inc.	11/12/2020	3866098	20213597.6	

3866454	Zazzle Inc.	07/01/2014	3866454	21157471.0	
3866833	Ferring BV	17/10/2019	3866833	19794444.0	
3867160	Moba Group B.V.	16/10/2019	3867160	19833002.9	
3867453	Volvo Construction Equipment AB	18/10/2018	3867453	18796377.2	
3867477	ASSA ABLOY Entrance Systems AB	09/10/2019	3867477	19787180.9	
3868818	Envalior Deutschland GmbH	15/01/2021	3868818	21151754.5	German
3869348	INTEL Corporation	03/12/2020	3869348	20211463.3	
3869484	Mitsubishi Electric Corporation	01/10/2019	3869484	19874002.9	
3869710	Huawei Technologies Co., Ltd.	24/11/2018	3869710	18941010.3	
3869982	KT & G Corporation	10/12/2020	3869982	20855816.3	
3870113	Cephea Valve Technologies, Inc.	23/10/2019	3870113	19802011.7	
3870176	Noorik Biopharmaceuticals AG	21/10/2019	3870176	19872275.3	
3870445	ACCO Brands Corporation	22/10/2019	3870445	19802002.6	
3871117	Microsoft Technology Licensing, LLC	07/12/2018	3871117	18942481.5	
3871173	Centaur Analytics, Inc.	31/10/2019	3871173	19878845.7	
3871247	Micromass UK Limited	22/10/2019	3871247	19797334.0	
3871631	Dentsply Sirona Inc.	07/03/2016	3871631	21158177.2	
3872249	LG Electronics Inc.	24/02/2021	3872249	21159021.1	
3872834	Canon Anelva Corporation	22/10/2018	3872834	18937697.3	
3873235	Giovannone, Daniele	31/10/2019	3873235	19805742.4	
3873422	Henkel AG & Co. KGaA	31/10/2019	3873422	19797677.2	German
3873916	Shanghai Synergy Pharmaceutical Sciences Co., Ltd.	25/10/2019	3873916	19877652.8	
3874086	Spectrum Brands, Inc.	31/10/2018	3874086	18938455.5	
3874262	The A2 Milk Company Limited	29/10/2019	3874262	19879827.4	
3874777	InterDigital Patent Holdings, Inc.	31/10/2019	3874777	19809254.6	
3877396	Neopep Pharma GmbH & Co. KG	08/11/2019	3877396	19801327.8	
3878664	BRIDGESTONE CORPORATION	06/11/2019	3878664	19882912.9	
3879520	Samsung Electronics Co., Ltd.	10/10/2019	3879520	19895723.5	
3881176	Dell Products, L.P.	12/11/2019	3881176	19884688.3	
3882358	The Chinese University Of Hong Kong	08/03/2013	3882358	21172741.7	
3882696	FUJIFILM Corporation	16/10/2019	3882696	19885723.7	
3882964	Commissariat à l'Energie Atomique et aux Energies Alternatives	17/03/2021	3882964	21163291.4	French
3882991	Hitachi High-Tech Corporation	09/10/2019	3882991	19883355.0	
3883655	L'OREAL	16/08/2019	3883655	19780038.6	
3884309	Xa Tek, Inc.	14/11/2019	3884309	19886562.8	
3884389	Microsoft Technology Licensing, LLC	03/11/2019	3884389	19809326.2	
3885749	Rigaku Corporation	21/11/2019	3885749	19886782.2	
3885756	Rigaku Corporation	21/11/2019	3885756	19888014.8	
3886202	Samsung SDI Co., Ltd.	27/03/2020	3886202	20166297.0	
3886814	The Procter & Gamble Company	26/11/2019	3886814	19824070.7	
3887444	Braskem America, Inc.	22/11/2019	3887444	19888672.3	
3887781	Carrier Corporation	11/11/2019	3887781	19836688.2	
3888725	Daewoong Pharmaceutical Co., Ltd.	27/11/2018	3888725	18941188.7	
3888729	Fisher & Paykel Healthcare Limited	19/05/2015	3888729	21163903.4	
3888893	Focke & Co. (GmbH & Co. KG)	30/03/2021	3888893	21166016.2	German
3889526	Samsung Electronics Co., Ltd.	05/10/2016	3889526	21173817.4	
3889689	Richemont International S.A.	17/05/2017	3889689	21168544.1	French
3889917	NXP B.V.	22/03/2021	3889917	21164113.9	
3890525	KT&G Corporation	10/12/2020	3890525	20908462.3	
3890667	Acusurgical	05/12/2019	3890667	19813026.2	French
	Université de Montpellier				
	Centre National de la Recherche Scientifique (CNRS)				
3890798	W.O.M. World of Medicine GmbH	04/12/2019	3890798	19835598.4	German
3890828	Boehringer Ingelheim International GmbH	02/12/2019	3890828	19813499.1	
3890992	COMPAGNIE GENERALE DES ETABLISSEMENTS MICHELIN	02/12/2019	3890992	19845818.4	French
3891379	Stanadyne LLC	22/04/2019	3891379	19726226.4	
3891404	SAFRAN AIRCRAFT ENGINES	26/11/2019	3891404	19868181.9	French

3892317	Medicus Engineering ApS	22/12/2015	3892317	20215006.6	
3892468	Barberan Latorre, Jesús Francisco	03/12/2018	3892468	18942500.2	
3892562	Tetra Laval Holdings & Finance S.A.	01/04/2021	3892562	21166549.2	
3892797	Redima AG	30/03/2021	3892797	21165959.4	German
3893102	CANON KABUSHIKI KAISHA	15/11/2019	3893102	19890441.9	
3893330	ITS Partner Outsourcing Business Solutions, S.L	13/11/2019	3893330	19893426.7	
3893493	Sony Interactive Entertainment Inc.	03/12/2019	3893493	19893042.2	
3894206	Sprick GmbH Bielefelder Papier- und Wellpappenwerke & Co.	11/12/2019	3894206	19827660.2	German
3895634	Neuravi Limited	16/04/2021	3895634	21168823.9	
3896487	Elmos Semiconductor SE	15/04/2020	3896487	20169585.5	German
3898498	The Coca-Cola Company	17/12/2019	3898498	19900401.1	
3899314	Raytheon Canada Limited	17/12/2019	3899314	19898800.8	
3899582	Telefonaktiebolaget LM Ericsson (publ)	21/12/2018	3899582	18826736.3	
3900087	Ozone 1 Pty Ltd	20/12/2019	3900087	19900120.7	
3900398	Sonova AG	21/12/2018	3900398	18829403.7	
3900648	Boston Scientific Scimed, Inc.	11/07/2013	3900648	21171829.1	
3901072	Weber Food Technology GmbH	02/07/2018	3901072	21154178.4	German
3901521	Werkhaus GmbH & Co. KG	22/04/2021	3901521	21169875.8	German
3902319	GUANGDONG OPPO MOBILE TELECOMMUNICATIONS CORP., LTD.	01/12/2016	3902319	21176924.5	
3902575	Solventum Intellectual Properties Company	06/12/2019	3902575	19828154.5	
3902585	Novo Nordisk A/S	20/12/2019	3902585	19824355.2	
3903708	Beijing Surgerii Robotics Company Limited	27/12/2019	3903708	19904078.3	
3904021	Max Co., Ltd.	27/04/2021	3904021	21170703.9	
3904132	Segway Technology Co., Ltd.	27/04/2021	3904132	21170622.1	
3904694	FINE FLOW Co., LTD	06/01/2020	3904694	20700328.6	
3904752	LG Innotek Co., Ltd.	24/12/2019	3904752	19902863.0	
3904887	Hitachi High-Tech Corporation	30/10/2019	3904887	19905431.3	
3904994	Yanmar Power Technology Co., Ltd.	29/10/2019	3904994	19905277.0	
3905023	Huawei Technologies Co., Ltd.	10/09/2020	3905023	20865385.7	
3905258	Stryker Corporation	20/05/2009	3905258	21166058.4	
3905992	Joimax GmbH	15/01/2021	3905992	21702593.1	German
3906528	I-Deal S.r.l.	31/12/2018	3906528	18849460.3	
3906737	QUALCOMM INCORPORATED	02/01/2020	3906737	20702532.1	
3906776	Jungheinrich Aktiengesellschaft	04/05/2020	3906776	20172794.8	German
3906813	Serio, Maria Carla	11/03/2021	3906813	21161925.9	
3906973	Ficont Industry (Beijing) Co., Ltd.	21/04/2020	3906973	20866409.4	
3907070	The Boeing Company	05/05/2021	3907070	21172186.5	
3908135	Juul Labs, Inc.	10/01/2020	3908135	20704967.7	
3908794	LG Electronics Inc.	09/12/2019	3908794	19909560.5	
3908812	Syntegon Technology GmbH	29/04/2020	3908812	20723107.7	German
3909340	Nokia Technologies Oy	10/01/2019	3909340	19908169.6	
3910229	Leuze electronic GmbH + Co. KG	09/12/2020	3910229	20212615.7	German
3910436	CRSC RESEARCH & DESIGN INSTITUTE GROUP CO., LTD.	14/08/2020	3910436	20785893.7	
3913020	SUMITOMO CHEMICAL COMPANY LIMITED	15/01/2020	3913020	20741970.6	
3913903	QUALCOMM INCORPORATED	23/05/2018	3913903	21185193.6	
3914082	Breville Pty Limited	23/01/2020	3914082	20745801.9	
3916720	Beijing Xiaomi Pinecone Electronics Co., Ltd.	23/12/2020	3916720	20216974.4	
3916888	LG Energy Solution, Ltd.	02/07/2020	3916888	20834194.1	
3916941	Samsung SDI Co., Ltd.	20/04/2021	3916941	21169370.0	
3919961	JVCKenwood Corporation	10/10/2019	3919961	19912723.4	
3920023	VIVO MOBILE COMMUNICATION CO., LTD.	13/01/2020	3920023	20749488.1	
3920276	Panasonic Intellectual Property Management Co., Ltd.	29/11/2019	3920276	19913203.6	

3921592	RWS GmbH	04/02/2020	3921592	20704230.0	German
3921773	Zhejiang Dahua Technology Co., Ltd.	18/12/2019	3921773	19919466.3	
3921987	Nokia Technologies Oy	08/02/2019	3921987	19704311.0	
3922519	Shenzhen Yinwang Intelligent Technologies Co., Ltd.	26/12/2017	3922519	21171294.8	
3922628	Université Paris-Saclay	09/04/2015	3922628	21185886.5	French
3923399	Centre national de la recherche scientifique				
3923399	Contemporary Amperex Technology (Hong Kong) Limited	28/02/2020	3923399	20772699.3	
3923593	Sonos, Inc.	02/09/2015	3923593	21158566.6	
3923658	Huawei Technologies Co., Ltd.	09/08/2016	3923658	21171297.1	
3924833	Google LLC	26/11/2019	3924833	19824100.2	
3925638	Perfuzo Limited	14/12/2018	3925638	21177317.1	
3925751	BASF SE	18/06/2020	3925751	20180779.9	
3926043	Tianjin University Of Science And Technology	10/11/2020	3926043	20924713.9	
3926117	Sopro Bauchemie GmbH	09/06/2021	3926117	21178515.9	German
3926144	Honeywell International Inc.	02/06/2021	3926144	21177434.4	
3926752	Zhuhai CosMX Battery Co., Ltd.	30/09/2020	3926752	20199282.3	
3927327	Regresar Medical, Inc.	20/02/2020	3927327	20758648.8	
3929451	Fidlock GmbH	05/11/2018	3929451	21191917.0	German
3930498	Imperial Tobacco Limited	21/09/2020	3930498	20789852.9	
3930514	Imperial Tobacco Limited	21/09/2020	3930514	20789846.1	
3930849	Kezar Life Sciences	28/02/2020	3930849	20715580.5	
3931239	BASF SE	21/02/2020	3931239	20704378.7	
3931811	Samsung Electronics Co., Ltd.	29/04/2020	3931811	20802149.3	
3932117	Samsung Electronics Co., Ltd.	07/05/2020	3932117	20802774.8	
3932162	CLAAS E-Systems GmbH	27/05/2021	3932162	21176207.5	German
3932178	Idough Investment Company	05/06/2015	3932178	21187912.7	
3932733	FAURECIA Sièges d'Automobile	30/06/2021	3932733	21182900.7	French
3932972	Teijin Limited	26/02/2020	3932972	20762360.4	
3933557	Beijing Xiaomi Mobile Software Co., Ltd.	22/12/2020	3933557	20216399.4	
3933644	Alipay (Hangzhou) Information Technology Co., Ltd.	24/06/2021	3933644	21181533.7	
3933655	Kabushiki Kaisha Zuken	28/03/2019	3933655	19921709.2	
3933955	BYD Company Limited	25/07/2019	3933955	19919444.0	
3934105	Huawei Technologies Co., Ltd.	21/04/2020	3934105	20795911.5	
3934736	Cala Health, Inc.	06/03/2020	3934736	20770557.5	
3934794	Johnson Matthey Public Limited Company	06/03/2020	3934794	20711269.9	
3934885	Owens-Brockway Glass Container Inc.	04/03/2020	3934885	20717362.6	
3935235	Trieste Group One Ltd	05/03/2020	3935235	20711255.8	
3935270	Nuovo Pignone Tecnologie - S.r.l.	02/03/2020	3935270	20709495.4	
3935502	British Telecommunications public limited company	28/02/2020	3935502	20706526.9	
3936168	Karlslose, Bo	10/07/2020	3936168	20185230.8	
	Lüscher, Michael				
	Karlslose, Per				
3937228	ABB Schweiz AG	08/07/2020	3937228	20184712.6	
3937413	China Telecom Corporation Limited	27/05/2020	3937413	20823650.5	
3938755	AVL List GmbH	11/03/2020	3938755	20710910.9	German
3939260	BEIJING BYTEDANCE NETWORK TECHNOLOGY CO., LTD.	20/04/2020	3939260	20795280.5	
	ByteDance Inc.				
3939374	Samsung Electronics Co., Ltd.	13/08/2020	3939374	20852686.3	
3940171	PERI SE	17/07/2020	3940171	20186483.2	
3940386	Aligned Genetics, Inc.	14/04/2020	3940386	20791672.7	
3940422	Chiba Institute of Technology	13/03/2019	3940422	19919202.2	
3941775	Siemens Mobility GmbH	07/07/2020	3941775	20746866.1	German
	Scania CV AB				
3942145	Magnetic Variation Services, LLC	17/03/2020	3942145	20773624.0	
3942395	ZOLL Medical Corporation	19/03/2020	3942395	20720567.5	

3942935	EIKA, S.COOP.	24/07/2020	3942935	20382669.8	
3943431	Sodimas	20/07/2020	3943431	20305832.6	French
3943629	Nippon Light Metal Company, Ltd. Nikkei MC Aluminium Co., Ltd.	06/03/2020	3943629	20774623.1	
3944182	Samsung Electronics Co., Ltd.	21/12/2020	3944182	20215976.0	
3944595	Huawei Technologies Co., Ltd.	24/04/2020	3944595	20801945.5	
3944606	Kyocera Corporation	12/03/2020	3944606	20774708.0	
3944846	Schaub, Markus	27/07/2021	3944846	21187865.7	German
3945151	Groz-Beckert KG	30/07/2020	3945151	20188736.1	German
3945158	BOMAG GmbH	01/07/2021	3945158	21183242.3	German
3945235	Harman International Industries, Incorporated	19/07/2021	3945235	21186303.0	
3945639	Wago Verwaltungsgesellschaft mbH	26/07/2021	3945639	21187743.6	German
3945899	Imperial Tobacco Limited	06/03/2020	3945899	20707674.6	
3948267	H2scan Corporation	06/04/2020	3948267	20782033.3	
3948509	Microsoft Technology Licensing, LLC	17/03/2020	3948509	20718932.5	
3948706	TELEFONAKTIEBOLAGET LM ERICSSON (PUBL)	15/05/2019	3948706	19723138.4	
3948893	Cerebral Diagnostics Canada Incorporated	02/04/2020	3948893	20784472.1	
3949288	Liquid-Markets-Holdings, Incorporated	02/06/2020	3949288	20866627.1	
3949329	Cisco Technology, Inc.	02/04/2020	3949329	20722090.6	
3949471	Samsung Electronics Co., Ltd.	31/03/2020	3949471	20782948.2	
3949932	ZOLL Circulation, Inc.	14/10/2016	3949932	21198916.5	
3950512	L'garde, Inc.	05/05/2017	3950512	21181984.2	
3950660	Shida Shinghwa Advanced Material Group Co., Ltd Shenyang University of Chemical Technology	10/12/2019	3950660	19934375.7	
3951119	NTN Corporation	23/03/2020	3951119	20783627.1	
3951170	Eagle Industry Co., Ltd.	02/04/2020	3951170	20782343.6	
3951438	Autonics Corporation	03/03/2020	3951438	20779992.5	
3951522	Fuji Corporation	28/03/2019	3951522	19921530.2	
3951546	Chiba Institute of Technology	14/08/2018	3951546	21200239.8	
3951574	Huawei Technologies Co., Ltd.	28/04/2020	3951574	20801648.5	
3951607	Huawei Cloud Computing Technologies Co., Ltd.	15/06/2020	3951607	20869429.9	
3951715	CANON KABUSHIKI KAISHA	23/07/2021	3951715	21187357.5	
3951766	Sony Interactive Entertainment Inc.	25/12/2019	3951766	19921445.3	
3952234	Huawei Technologies Co., Ltd.	13/04/2020	3952234	20791875.6	
3952306	Nokia Technologies Oy	20/09/2019	3952306	21197453.0	
3952411	VIVO MOBILE COMMUNICATION CO., LTD.	27/12/2019	3952411	19921618.5	
3952566	FUJITSU LIMITED	29/03/2019	3952566	19922832.1	
3952739	Quantum Surgical	08/04/2020	3952739	20717654.6	French
3952978	Maco Pharma	07/04/2020	3952978	20726301.3	French
3953118	Andis Company	26/03/2020	3953118	20787283.9	
3953824	Lodestar Licensing Group LLC	06/04/2020	3953824	20787438.9	
3953984	Wirtz Manufacturing Co., Inc.	06/06/2019	3953984	19924494.8	
3954327	AMO Groningen B.V.	17/12/2010	3954327	21200091.3	
3954448	Borealis AG	13/08/2020	3954448	20190923.1	
3954764	Genex Health Co.,Ltd	04/11/2019	3954764	19924173.8	
3954866	RTX Corporation	03/08/2021	3954866	21189370.6	
3954997	Hangzhou Junhui Biotechnology Co., Ltd.	08/08/2019	3954997	19924528.3	
3955226	Wagner Group GmbH	12/08/2020	3955226	20190683.1	German
3955505	Sony Group Corporation	24/09/2015	3955505	21196064.6	
3955875	A-DEC, INC.	16/04/2020	3955875	20791439.1	
3956105	SMART WRENCH LTD	07/04/2020	3956105	20791188.4	
3956216	Fokker Aerostructures B.V.	17/04/2020	3956216	20720788.7	
3956240	ALPLA Werke Alwin Lehner GmbH & Co. KG	15/04/2020	3956240	20719990.2	German
3956581	ZF Friedrichshafen AG	16/04/2020	3956581	20719632.0	German

3956609	Samsung Electronics Co., Ltd.	01/07/2020	3956609	20835104.9	
3956708	Corning Research & Development Corporation	20/04/2020	3956708	20791315.3	
3957111	QUALCOMM Incorporated	03/03/2020	3957111	20715245.5	
3957122	Orca AI Ltd.	07/04/2020	3957122	20790982.1	
3957414	Heraeus Electro-Nite International N.V.	02/10/2020	3957414	20199734.3	
3957494	The Goodyear Tire & Rubber Company	17/08/2021	3957494	21191620.0	
3957594	HMF Group A/S	17/08/2021	3957594	21191589.7	
3957818	TRACTO-TECHNIK GmbH & Co. KG	30/07/2021	3957818	21188683.3	German
3957843	PRATT & WHITNEY CANADA CORP.	17/05/2021	3957843	21174199.6	
3957994	Fujikura Kasei Co., Ltd. National University Corporation Chiba University	05/11/2015	3957994	20216509.8	
3958025	Gubela, Hans-Erich	11/08/2021	3958025	21000227.5	German
3958548	Huawei Technologies Co. Ltd.	02/06/2020	3958548	20819136.1	
3958549	Ricoh Company, Ltd.	12/08/2021	3958549	21191026.0	
3958659	Accelsius, LLC	19/08/2020	3958659	20191745.7	
3958791	Edwards Lifesciences Corporation	10/04/2020	3958791	20722942.8	
3959472	Zreda, Marek	22/04/2020	3959472	20795590.7	
3959499	Fremonta Corporation	27/04/2020	3959499	20795603.8	
3959511	Rheinmetall Waffe Munition GmbH	16/03/2020	3959511	20711899.3	German
3959515	Endress+Hauser SE+Co. KG	31/03/2020	3959515	20716434.4	German
3959709	Dolby Laboratories Licensing Corporation	16/04/2020	3959709	20724336.1	
3959982	Heliae Development, LLC	16/12/2015	3959982	21199239.1	
3960017	NIKE Innovate C.V.	24/10/2018	3960017	21202385.7	
3960054	Hamberger Industrierwerke GmbH	26/08/2021	3960054	21193328.8	German
3960206	SCHOTT AG	17/08/2021	3960206	21191643.2	
3960610	Campagnolo S.r.l.	11/08/2021	3960610	21190844.7	
3961803	SMC Corporation	26/08/2019	3961803	21202380.8	
3961906	Melexis Bulgaria Ltd.	01/09/2020	3961906	20472011.4	
3962460	Lefan Capsule International Inc	13/04/2020	3962460	20798428.7	
3963177	Baker Hughes Oilfield Operations LLC	27/04/2020	3963177	20799533.3	
3963308	B.G. Negev Technologies & Applications Ltd., at Ben-Gurion University	11/06/2020	3963308	20822620.9	
3963657	Oerlikon Friction Systems (Germany) GmbH	29/04/2020	3963657	20723105.1	German
3963921	Meyer, Stefan	24/12/2019	3963921	19836592.6	
3965377	Huawei Cloud Computing Technologies Co., Ltd.	25/05/2020	3965377	20814348.7	
3965893	Seekyo Centre national de la recherche scientifique	06/05/2020	3965893	20722369.4	
3966438	Jacobs Vehicle Systems, Inc.	07/05/2020	3966438	20806381.8	
3966713	Microsoft Technology Licensing, LLC	15/04/2020	3966713	20722209.2	
3967066	Siemens Aktiengesellschaft	24/04/2020	3967066	20725433.5	German
3967395	Industry Foundation of Chonnam National University	06/11/2017	3967395	21195970.5	
3967506	ASSA ABLOY AB	25/06/2021	3967506	21181765.5	
3967578	IVECO S.P.A.	10/09/2021	3967578	21195919.2	
3967593	Yamaha Hatsudoki Kabushiki Kaisha	04/08/2021	3967593	21189620.4	
3967608	Airbus Operations Limited	26/07/2021	3967608	21187594.3	
3967679	Vivoryon Therapeutics AG	18/04/2017	3967679	21195295.7	
3967955	Hochschule für angewandte Wissenschaften München	15/09/2020	3967955	20196275.0	
3967958	BSH Hausgeräte GmbH	13/08/2021	3967958	21191218.3	German
3968059	Samsung Electronics Co., Ltd.	10/08/2021	3968059	21190610.2	
3968143	Nokia Technologies Oy	15/09/2020	3968143	20196167.9	
3968413	Kabushiki Kaisha Toshiba	04/02/2021	3968413	21155179.1	
3968510	HITACHI INDUSTRIAL EQUIPMENT SYSTEMS CO., LTD.	20/02/2020	3968510	20806402.2	
3968683	Huawei Technologies Co., Ltd.	05/06/2020	3968683	20818521.5	
3968748	Amphenol Tecvox, LLC	19/08/2021	3968748	21192070.7	

3968878	Zimmer Biomet CMF And Thoracic, LLC	14/05/2020	3968878	20729577.5	
3969377	Krones Aktiengesellschaft	24/04/2020	3969377	20719915.9	German
3969419	ArcelorMittal	12/05/2020	3969419	20725949.0	
3969492	BASF SE	29/04/2020	3969492	20724015.1	
3970037	Dell Products, L.P.	07/05/2020	3970037	20805116.9	
3970329	128 Technology, Inc.	12/05/2020	3970329	20804863.7	
3970342	Telefonaktiebolaget LM Ericsson (publ)	17/05/2019	3970342	19727753.6	
3970589	Miele & Cie. KG	31/08/2021	3970589	21193896.4	German
3971131	KRONES AG	02/09/2021	3971131	21194668.6	German
3971837	Imagination Technologies Limited	03/04/2019	3971837	21204271.7	
3972203	Tencent Technology (Shenzhen) Company Limited	23/04/2020	3972203	20810604.7	
3972334	Huawei Technologies Co., Ltd.	23/06/2020	3972334	20833124.9	
3972350	InterDigital CE Patent Holdings	11/12/2015	3972350	21208134.3	
3973685	HID Global Corporation	20/05/2020	3973685	20731715.7	
3973761	Nanjing Chervon Industry Co., Ltd.	16/06/2020	3973761	20826472.1	
3974687	NOK Corporation	15/04/2020	3974687	20809739.4	
3974691	ORAS OY	21/09/2021	3974691	21197996.8	
3976218	Genzyme Corporation	29/05/2020	3976218	20760972.8	
3976838	ThyssenKrupp Steel Europe AG	28/05/2020	3976838	20727675.9	German
3977478	Universitat Pompeu Fabra	26/05/2020	3977478	20734465.6	
3977924	Samsung Electronics Co., Ltd.	13/07/2021	3977924	21185287.6	
3978261	Unilin, BV	01/10/2020	3978261	20199647.7	
3978550	Dow Toray Co., Ltd.	19/05/2020	3978550	20815674.5	
3978906	University of Science and Technology of China	30/03/2020	3978906	20813712.5	
3978974	TE Connectivity Nederland B.V.	28/09/2009	3978974	21209454.4	
3979287	Siemens Energy Global GmbH & Co. KG	30/09/2020	3979287	20199459.7	
3979292	mitsubishi electric corporation	20/05/2020	3979292	20813702.6	
3979452	Shenzhen Dingwang Technology Co., Ltd.	27/04/2021	3979452	21800376.2	
3979500	Analog Devices, Inc.	10/08/2021	3979500	21190651.6	
3979633	Axis AB	09/12/2019	3979633	21204095.0	
3979647	Hangzhou Hikvision Digital Technology Co., Ltd.	19/06/2020	3979647	20825445.8	
3979867	Fidlock GmbH	16/09/2020	3979867	20785916.6	German
3980222	Grip Holdings LLC	25/03/2020	3980222	20834237.8	
3980410	Step Pharma S.A.S.	04/06/2020	3980410	20750715.3	
3981108	TELEFONAKTIEBOLAGET LM ERICSSON (PUBL)	04/06/2019	3981108	19729498.6	
3982198	Appotronics Corporation Limited	28/06/2020	3982198	20837848.9	
3982238	Huawei Technologies Co., Ltd.	23/07/2020	3982238	20843213.8	
3982598	Huawei Technologies Co., Ltd.	23/05/2021	3982598	21818981.9	
3982780	Kaiola Design Unipessoal Lda.	09/06/2020	3982780	20757000.3	
3983631	ASSA ABLOY Entrance Systems AB	04/06/2020	3983631	20731043.4	
3984069	3SUN S.r.l.	15/06/2020	3984069	20740423.7	
3984102	Siemens Energy Global GmbH & Co. KG	02/08/2019	3984102	19752992.8	German
3984346	Deere & Company	21/09/2021	3984346	21197861.4	
3984730	The Yokohama Rubber Co., Ltd.	21/04/2020	3984730	20826424.2	
3985426	STANLEY ELECTRIC CO., LTD.	22/05/2020	3985426	20827180.9	
3985610	Tencent Technology (Shenzhen) Company Limited	11/06/2020	3985610	20825730.3	
3985730	Sony Semiconductor Solutions Corporation	12/12/2018	3985730	21210634.8	
3985787	Contemporary Amperex Technology (Hong Kong) Limited	28/10/2020	3985787	20889314.9	
3985916	nChain Licensing AG	26/04/2018	3985916	21211789.9	
3986027	Tencent Technology (Shenzhen) Company Limited	03/06/2020	3986027	20825559.6	
3986078	Vivo Mobile Communication Co., Ltd.	02/07/2020	3986078	20840280.0	
3986678	SAFRAN AIRCRAFT ENGINES	16/06/2020	3986678	20742343.5	French

3986756	VOLKSWAGEN AKTIENGESELLSCHAFT	23/06/2020	3986756	20735292.3	
3987433	INTEL Corporation	21/06/2019	3987433	19934327.8	
3987733	Arista Networks, Inc.	28/02/2020	3987733	20713146.7	
3987740	Microsoft Technology Licensing, LLC	06/05/2020	3987740	20729351.5	
3988004	a&n&a GmbH & Co. KG	05/10/2021	3988004	21201018.5	German
3988081	Portillo Rosado, Rosa Maria	17/06/2020	3988081	20826196.6	
3988376	Hitachi, Ltd.	13/04/2020	3988376	20825122.3	
3988613	Mitsui Chemicals, Inc.	17/06/2020	3988613	20826944.9	
3988776	Kubota Corporation	06/04/2020	3988776	20827478.7	
3989964	Vanda Pharmaceuticals Inc.	29/06/2020	3989964	20742604.0	
3990046	LivaNova Deutschland GmbH	27/06/2019	3990046	19737482.0	
3990093	Becton Dickinson France	23/06/2020	3990093	20733819.5	
3990210	Lisi Automotive	25/06/2020	3990210	20747013.9	French
3990807	Caterpillar Inc.	18/05/2020	3990807	20731664.7	
3990851	Sturm Ruger&Company, Inc.	29/06/2020	3990851	20831652.1	
3990879	Weber-Stephen Products LLC	03/12/2019	3990879	19935713.8	
3992069	Cyclesport North Limited	03/11/2020	3992069	20205557.0	
3992604	Hand Held Products, Inc.	07/05/2021	3992604	21172819.1	
3993623	Trianni, Inc.	30/06/2020	3993623	20747552.6	
3993687	Samsung Electronics Co., Ltd.	13/08/2020	3993687	20852850.5	
3993712	Boston Scientific Scimed, Inc.	02/07/2020	3993712	20750870.6	
3994936	QUALCOMM INCORPORATED	02/07/2020	3994936	20743538.9	
3995118	Zuiko Corporation	08/05/2020	3995118	20835570.1	
3996313	Datang Mobile Communications Equipment Co., Ltd.	17/06/2020	3996313	20837586.5	
3996544	Roxilla LLC	11/07/2019	3996544	19746251.8	
3997780	Afton Chemical Corporation	01/07/2020	3997780	20841067.0	
3998206	Lilium eAircraft GmbH	19/02/2021	3998206	21158188.9	
3999269	Sartorius Stedim North America Inc.	16/07/2020	3999269	20840840.1	
3999338	Kuraray Europe GmbH	09/07/2020	3999338	20736375.5	
3999902	Essilor International	02/07/2020	3999902	20736967.9	
4000532	Wuxi Hisky Medical Technologies Co., Ltd.	15/05/2020	4000532	20839570.7	
4000577	Eurl Cornier	13/07/2021	4000577	21185382.5	French
4001084	Artemis Technologies Limited	12/11/2020	4001084	20207223.7	
4002000	Magic Leap, Inc.	07/12/2017	4002000	21217541.8	
4002318	ABB Schweiz AG	16/11/2020	4002318	20207879.6	
4002921	Huawei Technologies Co., Ltd.	23/06/2017	4002921	21200831.2	
4003120	LG Electronics Inc.	08/06/2020	4003120	20843925.7	
4003197	Signus Medizintechnik GmbH	05/10/2020	4003197	20789039.3	German
4003810	Wabtec Hauts-de-France	23/07/2020	4003810	20757224.9	French
4003827	Bellatrix	29/06/2020	4003827	20746246.6	French
4004424	SAINT-GOBAIN ISOVER	17/07/2020	4004424	20753996.6	French
4004906	Dolby Laboratories Licensing Corporation	30/07/2020	4004906	20758024.2	
4005166	Telefonaktiebolaget LM Ericsson (publ)	13/09/2019	4005166	19765755.4	
4005556	Corepharm Bio Co., Ltd.	24/07/2020	4005556	20848224.0	
4005612	NextKidney SA	31/10/2018	4005612	22151016.7	
4005722	Vehicle Energy Japan Inc.	03/07/2020	4005722	20847933.7	
4006078	Kolon Industries, Inc.	28/08/2020	4006078	20857863.3	
4006265	HWS Concrete Towers, S.L.	16/07/2020	4006265	20847135.9	
4006295	VKR Holding A/S	26/11/2021	4006295	21210859.1	
4006365	A. AGRATI S.p.A.	24/11/2021	4006365	21210130.7	
4006430	E.G.O. Elektro-Gerätebau GmbH	19/10/2021	4006430	21203345.0	German
4006559	Viessmann Climate Solutions SE	26/11/2021	4006559	21210854.2	German
4006638	CANON KABUSHIKI KAISHA	17/11/2021	4006638	21208685.4	
4006725	ZTE Corporation	22/07/2020	4006725	20844290.5	
4006824	BIGO TECHNOLOGY PTE. LTD.	10/07/2020	4006824	20844069.3	
4007871	Danfoss A/S	31/07/2020	4007871	20847063.3	
4007884	MGS Machine Corporation	31/07/2020	4007884	20847908.9	
4008373	Solventum Intellectual Properties Company	16/05/2019	4008373	22153330.0	

4008623	Campagnolo S.r.l.	29/11/2021	4008623	21210997.9	
4009180	STMicroelectronics (Grand Ouest) SAS STMICROELECTRONICS (GRENOBLE 2) SAS	19/11/2021	4009180	21209184.7	French
4009361	GlobalWafers Co., Ltd.	01/12/2017	4009361	21216340.6	
4009608	Huawei Technologies Co., Ltd.	18/11/2021	4009608	21208939.5	
4010048	Baxter International Inc. BAXTER HEALTHCARE SA	06/08/2020	4010048	20761383.7	
4010209	Bridgestone Americas Tire Operations, LLC	28/07/2020	4010209	20851142.8	
4010500	Wacker Chemie AG	05/08/2019	4010500	19765656.4	German
4010740	ExxonMobil Technology and Engineering Company	06/05/2020	4010740	20729927.2	
4010745	Huawei Technologies Co., Ltd.	13/08/2020	4010745	20851948.8	
4010806	National Instruments Corporation	21/08/2020	4010806	20857140.6	
4011044	Telefonaktiebolaget LM Ericsson (publ)	06/09/2019	4011044	19762987.6	
4011245	JSP Corporation	04/08/2020	4011245	20849852.7	
4011294	Siemens Healthineers AG	25/11/2021	4011294	21210497.0	
4011307	Shenzhen Neumann Technology Co., Ltd.	31/07/2020	4011307	20850145.2	
4011711	Faurecia Innenraum Systeme GmbH ZF Automotive Germany GmbH	10/12/2020	4011711	20213237.9	
4011964	LG Chem, Ltd.	09/03/2021	4011964	21846086.3	
4012008	SK Innovation Co., Ltd. SK Geo Centric Co., Ltd.	10/11/2021	4012008	21207384.5	
4012230	Kawasaki Motors, Ltd.	30/11/2021	4012230	21211401.1	
4012279	LG Electronics Inc.	08/12/2021	4012279	21213168.4	
4012296	Daikin Industries, Ltd.	07/08/2020	4012296	20849721.4	
4012365	Yokogawa Electric Corporation	09/12/2021	4012365	21213368.0	
4012422	Hamilton Sundstrand Corporation	10/12/2021	4012422	21213894.5	
4012510	Omega SA	09/12/2020	4012510	20212866.6	French
4012512	Omega SA	09/12/2020	4012512	20212867.4	French
4012776	BOE Technology Group Co., Ltd. Hefei Boe Joint Technology Co., Ltd.	19/05/2020	4012776	20904258.9	
4013146	Huawei Technologies Co. Ltd.	15/08/2019	4013146	19941390.7	
4013175	Huawei Technologies Co., Ltd.	13/08/2020	4013175	20851423.2	
4013304	Glucomat GmbH	14/08/2020	4013304	20754263.0	
4013374	PMIDG, LLC	18/08/2020	4013374	20853893.4	
4013834	I.T.A.-Intertact s.r.o. Ustav Makromolekularni Chemie AV CR, v.v.i.	09/10/2020	4013834	20815710.7	
4013895	Siemens Healthineers AG The Cleveland Clinic Foundation	31/07/2020	4013895	20754676.3	
4014473	Social Microphone, Inc.	11/08/2020	4014473	20853464.4	
4014551	QUALCOMM INCORPORATED	13/07/2020	4014551	20750150.3	
4014944	Decathlon	14/12/2021	4014944	21214452.1	French
4015124	CERATIZIT Austria Gesellschaft m.b.H.	21/12/2020	4015124	20216165.9	German
4015186	HOSIDEN CORPORATION	09/12/2021	4015186	21213465.4	
4015336	Intel Corporation	08/09/2021	4015336	21195534.9	
4015339	ALSTOM Holdings	21/12/2021	4015339	21216440.4	German
4015422	Boubiela Moret	16/12/2021	4015422	21215002.3	French
4015520	280 Bio, Inc.	21/10/2020	4015520	20895574.0	
4015624	Mesoblast International Sàrl	04/05/2016	4015624	22150277.6	
4016835	Sew-Eurodrive GmbH & Co. KG	14/11/2017	4016835	22000009.5	German
4016880	Nokia Solutions and Networks Oy	16/12/2020	4016880	20214772.4	
4017807	Smol Limited	10/08/2020	4017807	20758283.4	
4018239	Iristick NV	20/08/2020	4018239	20758220.6	
4018548	Huawei Technologies Co., Ltd.	10/09/2019	4018548	19766246.3	
4018697	Oracle International Corporation	27/05/2020	4018697	20732713.1	
4018883	King Slide Works Co., Ltd. King Slide Technology Co., Ltd.	21/07/2021	4018883	21186851.8	

4018922	Commissariat à l'Energie Atomique et aux Energies Alternatives	24/12/2021	4018922	21217684.6	French
4019024	SOMA Gen-Ichiro Biomedical Research Group Inc.	19/08/2020	4019024	20859608.0	
4019144	Samhwa Co., Ltd	05/07/2021	4019144	21183702.6	
4019295	Kubota Corporation	21/12/2021	4019295	21216360.4	
4020018	Deutsches Elektronen-Synchrotron DESY	22/12/2020	4020018	20216342.4	German
4020092	CANON KABUSHIKI KAISHA	23/12/2021	4020092	21217387.6	
4020125	Intel Corporation	26/11/2021	4020125	21210860.9	
4020303	INTEL Corporation	14/09/2021	4020303	21196478.8	
4020419	Honeywell International Inc.	16/12/2021	4020419	21215157.5	
4020583	LG Display Co., Ltd.	23/12/2021	4020583	21217357.9	
4020791	Rockwell Automation Technologies, Inc.	09/12/2021	4020791	21213409.2	
4020910	INTEL Corporation	13/09/2021	4020910	21196260.0	
4021061	Innowireless Co., Ltd.	03/05/2021	4021061	21171907.5	
4021085	NTT DOCOMO, INC.	23/08/2019	4021085	19943420.0	
4021093	Huawei Technologies Co., Ltd.	31/08/2019	4021093	19942868.1	
4021132	SK TELECOM CO. LTD INNOSKY	09/08/2017	4021132	22157266.2	
4021752	Neapco Intellectual Property Holdings, LLC	08/10/2020	4021752	20797934.5	
4022661	Autoliv Development AB	26/08/2020	4022661	20758249.5	French
4023011	Samsung Electronics Co., Ltd.	25/11/2020	4023011	20892591.7	
4023049	Agco Corporation	06/10/2021	4023049	21201263.7	
4023355	Proterial, Ltd.	27/08/2020	4023355	20858317.9	
4023431	Keihin Ramtech Co., Ltd.	25/08/2020	4023431	20858182.7	
4023530	Bosch Huayu Steering Systems Co., Ltd.	26/04/2020	4023530	20857806.2	
4023976	QINGDAO HAIER REFRIGERATOR CO., LTD HAIER SMART HOME CO., LTD.	27/08/2020	4023976	20857060.6	
4024013	S.P.M. Instrument AB	22/12/2009	4024013	21210020.0	
4024152	NEC Corporation	21/07/2020	4024152	20856106.8	
4024195	Samsung Electronics Co., Ltd.	22/09/2020	4024195	20869094.1	
4024620	CHENGDU RELIANCE ELECTRIC CO., LTD .	15/10/2021	4024620	21870543.2	
4025287	Aria CV, Inc.	03/09/2020	4025287	20775483.9	
4025347	MPM Catcher S.R.O.	03/07/2020	4025347	20742491.2	
4025472	Schneider, Daniel J.	04/09/2020	4025472	20775528.1	
4026811	Tung Chang Machinery and Engineering Co., Ltd.	12/01/2021	4026811	21151192.8	
4026812	Tung Chang Machinery and Engineering Co., Ltd.	12/01/2021	4026812	21200924.5	
4027251	Hedera Hashgraph, LLC	10/11/2017	4027251	21212979.5	
4027827	L'OREAL SEB S.A.	10/09/2020	4027827	20767828.5	
4028121	Siemens Healthineers International AG	08/09/2020	4028121	20792292.3	
4029328	QUALCOMM INCORPORATED	01/09/2020	4029328	20772492.3	
4029767	Heilongjiang Zhongxing Machinery Equipment Co., Ltd.	19/01/2021	4029767	21152397.2	
4030126	QINGDAO HAIER REFRIGERATOR CO., LTD. HAIER US APPLIANCE SOLUTIONS, INC. HAIER SMART HOME CO., LTD.	07/09/2020	4030126	20863231.5	
4030651	Huawei Technologies Co., Ltd.	30/09/2019	4030651	19947962.7	
4030671	Huawei Technologies Co., Ltd.	10/09/2020	4030671	20874241.1	
4030969	Thorley Industries, LLC (DBA 4MOMS)	18/09/2020	4030969	20865321.2	
4031007	Biosense Webster (Israel) Ltd.	13/09/2020	4031007	20789662.2	
4031094	Artsana S.p.A.	31/08/2020	4031094	20775717.0	
4031209	CareFusion 303, Inc.	14/09/2020	4031209	20781203.3	

4031333	Fondazione Istituto Italiano di Tecnologia INAIL - Istituto Nazionale per l'Assicurazione contro gli Infortuni	16/09/2020	4031333	20789259.7	
4031952	Alba-Robot Srl	17/09/2020	4031952	20789668.9	
4032065	Microsoft Technology Licensing, LLC	17/06/2020	4032065	20736549.5	
4032442	Guangdong Raex Intelligent Technology Co., Ltd. Guangdong Wintom Sun-Shade Technology Co., Ltd	20/01/2022	4032442	22152436.6	
4032571	CC Biotechnology Corporation	19/09/2019	4032571	19946007.2	
4033039	Hitachi Construction Machinery Co., Ltd.	02/09/2020	4033039	20864540.8	
4033332	Huawei Technologies Co., Ltd.	21/10/2020	4033332	20878976.8	
4033631	LG ENERGY SOLUTION, LTD.	01/07/2020	4033631	20902599.8	
4033725	Nokia Technologies Oy	22/01/2021	4033725	21152862.5	
4033805	SK Telecom Co., Ltd.	18/11/2016	4033805	22155429.8	
4035378	QUALCOMM INCORPORATED	25/09/2020	4035378	20789405.6	
4035591	Lenovo (Singapore) Pte. Ltd.	18/01/2022	4035591	22151980.4	
4036059	LG CHEM, LTD.	14/09/2020	4036059	20868626.1	
4036412	Project Phoenix, LLC	02/06/2015	4036412	22162029.7	
4037273	Huges Network Systems, LLC	20/12/2017	4037273	22163374.6	
4037725	Fresenius Medical Care Holdings, Inc.	29/09/2020	4037725	20792818.5	
4038031	HEGLA GmbH & Co. KG	23/09/2020	4038031	20780632.4	German
4038832	TELEFONAKTIEBOLAGET LM ERICSSON (PUBL)	02/10/2019	4038832	19783277.7	
4038852	British Telecommunications public limited company	19/08/2020	4038852	20754784.5	
4038936	Telefonaktiebolaget LM Ericsson (publ)	01/10/2020	4038936	20789720.8	
4039307	ResMed Pty Ltd	03/09/2009	4039307	21217202.7	
4039441	Minebea Mitsumi Inc.	20/07/2020	4039441	20871222.4	
4040721	LinkXess GmbH	27/01/2022	4040721	22153660.0	German
4040725	Fujifilm Business Innovation Corp.	07/09/2021	4040725	21195235.3	
4040901	Huawei Technologies Co., Ltd.	30/05/2014	4040901	22150221.4	
4041086	Koninklijke Philips N.V.	06/10/2020	4041086	20786551.0	
4041615	Endor Aktiengesellschaft	09/10/2020	4041615	20799611.7	German
4041707	Dr. Schär S.P.A.	06/10/2020	4041707	20804697.9	
4042232	Lumus Ltd.	06/12/2020	4042232	20898793.3	
4042250	Airbus Operations Limited	05/10/2020	4042250	20789033.6	
4042420	Western Digital Technologies Inc.	24/05/2021	4042420	21836879.3	
4042683	Microsoft Technology Licensing, LLC	16/09/2020	4042683	20781677.8	
4042888	Japan Tobacco Inc.	10/10/2019	4042888	19948515.2	
4042935	Huawei Technologies Co., Ltd.	28/10/2020	4042935	20888908.9	
4042947	FUJIFILM Corporation	16/02/2022	4042947	22157078.1	
4043081	Tencent Technology (Shenzhen) Company Limited	16/06/2021	4043081	21849984.6	
4043505	LG Chem, Ltd.	14/07/2021	4043505	21853988.0	
4044466	Huawei Technologies Co., Ltd.	22/10/2019	4044466	19949754.6	
4044784	Fuji Corporation	10/10/2019	4044784	19948516.0	
4045273	Exelliq Austria GmbH	15/10/2020	4045273	20793615.4	German
4045384	Joyson Safety Systems Germany GmbH	15/10/2020	4045384	20800797.1	German
4045514	ECOLE POLYTECHNIQUE FEDERALE DE LAUSANNE (EPFL)	14/10/2020	4045514	20789986.5	
4045683	Pacific Biosciences of California, Inc.	18/10/2019	4045683	19802352.5	
4045774	Schaeffler Technologies AG & Co. KG	10/09/2020	4045774	20775175.1	German
4045793	Vestas Wind Systems A/S	14/10/2020	4045793	20792530.6	
4045832	Voss Automotive GmbH	14/10/2020	4045832	20792967.0	German
4046502	KT&G Corporation	18/10/2021	4046502	21870545.7	
4047166	TOYOTA JIDOSHA KABUSHIKI KAISHA	30/12/2021	4047166	21218389.1	
4047263	Radiant Opto-electronics (Suzhou) Co., Ltd. Radiant Opto-Electronics Corporation	06/01/2020	4047263	20911443.8	
4047419	Toshiba TEC Kabushiki Kaisha	28/01/2022	4047419	22153902.6	

4047596	Google LLC	03/06/2020	4047596	22166641.5	
4047808	Panasonic Intellectual Property Management Co., Ltd.	29/09/2020	4047808	20877012.3	
4047846	Huawei Technologies Co., Ltd.	27/11/2020	4047846	20893271.5	
4048006	Huawei Technologies Co., Ltd.	15/11/2019	4048006	19952836.5	
4048337	IBD Italian Biomedical Devices S.r.l.	25/10/2019	4048337	19818249.5	
4048338	Fresenius Medical Care Holdings, Inc.	13/08/2020	4048338	20761475.1	
4049660	F. Hoffmann-La Roche AG	27/02/2017	4049660	21217196.1	
4051080	Sony Group Corporation	10/12/2020	4051080	20828152.7	
4051387	F. Hoffmann-La Roche AG	29/10/2020	4051387	20800608.0	
4052071	ZYGO CORPORATION	20/10/2020	4052071	20801122.1	
4053649	KOBELCO CONSTRUCTION MACHINERY CO., LTD.	10/12/2020	4053649	20899330.3	
4053692	Samsung Electronics Co., Ltd.	01/03/2022	4053692	22159553.1	
4054063	Toyo Electric MFG. Co., Ltd.	09/07/2020	4054063	20880640.6	
4054148	Huawei Technologies Co., Ltd.	02/11/2020	4054148	20894398.5	
4054271	Samsung Electronics Co., Ltd.	29/09/2017	4054271	22170066.9	
4054401	Cambridge Enterprise Limited	06/11/2020	4054401	20804646.6	
4054496	J&M Shuler Medical Inc.	22/01/2021	4054496	21743873.8	
4055243	National Oilwell DHT, L.P.	02/11/2020	4055243	20885023.0	
4055309	NORMA Germany GmbH	02/11/2020	4055309	20808304.8	German
4055350	Sew-Eurodrive GmbH & Co. KG	19/10/2020	4055350	20800549.6	German
4055795	Microsoft Technology Licensing, LLC	21/10/2020	4055795	20807570.5	
4056248	Dow Toray Co., Ltd.	02/11/2020	4056248	20884493.6	
4056806	Mechanical Dynamics & Analysis LLC	04/03/2022	4056806	22160339.2	
4056992	Fuji Corporation	06/11/2019	4056992	19951816.8	
4057284	Huawei Technologies Co., Ltd.	26/09/2013	4057284	21213287.2	
4057551	Beijing Xiaomi Mobile Software Co., Ltd.	07/11/2019	4057551	19952070.1	
4057978	Hill-Rom Services PTE. LTD.	10/11/2020	4057978	20887273.9	
4058060	Astrazeneca AB	11/11/2020	4058060	20804531.0	
4058262	Bridgestone Europe NV/SA	09/11/2020	4058262	20804691.2	
4059256	Nokia Solutions and Networks Oy	11/11/2020	4059256	20811447.0	
4059466	Biocetec Co., Ltd.	20/10/2020	4059466	20886349.8	
4059577	ALSTOM Holdings	18/03/2021	4059577	21315041.0	
4059608	Alfa Laval Corporate AB	17/03/2021	4059608	21163064.5	
4059874	Grimm, Felix	18/03/2021	4059874	21163536.2	German
4060306	ITT Italia S.r.l.	27/06/2018	4060306	22172443.8	
4060426	Omega SA	19/03/2021	4060426	21163722.8	French
4060427	Patek Philippe SA Genève	18/03/2021	4060427	21163423.3	French
4060705	Zhejiang Chint Electrics Co., Ltd.	14/11/2020	4060705	20887787.8	
4060822	Siemens Energy Global GmbH & Co. KG	15/03/2022	4060822	22162024.8	
4060966	Huawei Technologies Co., Ltd.	11/12/2020	4060966	20904028.6	
4061081	UUCOM Co., Ltd.	28/10/2020	4061081	20886418.1	
4061207	Medtronic, Inc.	04/11/2020	4061207	20816034.1	
4061371	AB Science	20/11/2020	4061371	20807791.7	
	Université Paris Cité				
	ASSISTANCE PUBLIQUE HOPITAUX DE PARIS				
	Institut National de la Santé et de la Recherche Médicale				
	Imagine Institut des Maladies Génétiques				
	Necker Enfants Malades				
4061555	Oetiker Tool Corporation	13/11/2020	4061555	20889912.0	
4061657	Silgan Holdings Inc.	18/11/2020	4061657	20824994.6	German
4061763	VOLVO TRUCK CORPORATION	22/11/2019	4061763	19953689.7	
4062113	Demacenko IT S.r.l.	20/11/2020	4062113	20828111.3	
4062495	Phoenix Contact GmbH & Co. KG	10/11/2020	4062495	20804500.5	German
4062496	Phoenix Contact GmbH & Co. KG	10/11/2020	4062496	20807676.0	German
4062497	Phoenix Contact GmbH & Co. KG	10/11/2020	4062497	20807678.6	German
4062727	Pöttinger Landtechnik GmbH	15/03/2022	4062727	22162097.4	German

4062858	Seoul National University Hospital Research & Business Foundation SungKyunKwan University	18/11/2020	4062858	20891157.8	
4062961	Oh, Hyuck Gun Yoo, Tae Hyoung	14/10/2021	4062961	21904624.0	
4063057	Robert Bosch GmbH	17/03/2022	4063057	22162724.3	German
4063415	FUJIFILM Business Innovation Corp.	01/12/2021	4063415	21211592.7	
4063655	LG Innotek Co., Ltd.	07/10/2020	4063655	20889137.4	
4063836	Shanghai Ruiyu Biotech Co. Ltd.	08/12/2020	4063836	20899481.4	
4063983	Yokogawa Electric Corporation	25/02/2022	4063983	22158839.5	
4064629	Huawei Technologies Co., Ltd.	05/11/2020	4064629	20912176.3	
4064633	ZTE Corporation	22/10/2020	4064633	20895011.3	
4064773	LG Electronics Inc.	20/11/2020	4064773	20888934.5	
4065011	Relign Corporation	24/11/2020	4065011	20892308.6	
4065582	Ikena Oncology, Inc.	25/11/2020	4065582	20828454.7	
4066029	SMART Photonics Holding B.V.	26/11/2020	4066029	20824460.8	
4066031	Corning Research & Development Corporation	28/10/2020	4066031	20811190.6	
4066038	Hologic, Inc.	23/11/2020	4066038	20828403.4	
4066122	Sifive, Inc.	24/11/2020	4066122	20825355.9	
4066336	Fibox Oy Ab	24/11/2020	4066336	20893435.6	
4066527	Cisco Technology, Inc.	20/11/2020	4066527	20829748.1	
4066604	Lenze Swiss AG	25/11/2020	4066604	20812324.0	German
4067245	Becton Dickinson Rowa Germany GmbH	31/03/2021	4067245	21166127.7	German
4067936	FURUNO ELECTRIC CO., LTD.	22/10/2020	4067936	20891123.0	
4067993	Chengdu Xgimi Technology Co., Ltd	13/03/2020	4067993	20893458.8	
4068090	Beijing Jingdong Shangke Information Technology Co., Ltd. Beijing Jingdong Century Trading Co., Ltd.	23/09/2020	4068090	20891496.0	
4068844	Apple Inc.	31/03/2022	4068844	22166153.1	
4069133	Zellermayer, Elmar Gregor	04/12/2020	4069133	20838328.1	German
4069910	Rathammer, Andre Fechter, Harald	02/12/2020	4069910	20817341.9	German
4070189	Microsoft Technology Licensing, LLC	05/11/2020	4070189	20816733.8	
4070779	Carefusion 303 Inc.	05/04/2022	4070779	22166712.4	
4071129	NGK Insulators, Ltd.	30/11/2020	4071129	20897100.2	
4071230	Arborea Ltd	01/12/2016	4071230	22159456.7	
4071680	VERMOP GmbH	06/04/2021	4071680	21166922.1	German
4072135	GUANGDONG OPPO MOBILE TELECOMMUNICATIONS CORP., LTD.	02/12/2019	4072135	19954841.3	
4072546	Universiteit Antwerpen	11/12/2020	4072546	20817176.9	
4073044	F. Hoffmann-La Roche AG	08/12/2020	4073044	20817376.5	
4073065	F. Hoffmann-La Roche AG	08/12/2020	4073065	20817377.3	
4073505	Christian-Albrechts-Universität zu Kiel	30/03/2021	4073505	21714904.6	
4074161	Maschinenfabrik Bernard Krone GmbH & Co. KG	08/04/2022	4074161	22167275.1	German
4074479	HOMAG GmbH	12/04/2022	4074479	22167834.5	German
4074506	SEKISUI CHEMICAL CO., LTD.	10/12/2020	4074506	20899331.1	
4074562	UISEE Technologies (Beijing) Ltd.	16/12/2019	4074562	19956596.1	
4074609	G.D SOCIETA' PER AZIONI	08/04/2022	4074609	22167404.7	
4074646	General Electric Technology GmbH	01/04/2022	4074646	22166272.9	
4075357	nChain Licensing AG	24/08/2018	4075357	22164830.6	
4075548	Contemporary Amperex Technology (Hong Kong) Limited	12/11/2020	4075548	20961118.5	
4076865	FRONIUS INTERNATIONAL GmbH	17/12/2020	4076865	20829597.2	German
4077228	Cookson Precious Metals Ltd.	20/12/2019	4077228	19829575.0	
4078134	Siemens Healthcare Diagnostics, Inc.	11/12/2020	4078134	20901659.1	
4078419	Google LLC	22/09/2020	4078419	20786394.5	
4078520	TELEFONAKTIEBOLAGET LM ERICSSON (PUBL)	17/12/2019	4078520	19831666.3	

4078749	Tyco Electronics UK Limited TE Connectivity Solutions GmbH	14/12/2020	4078749	20829991.7	
4078760	VESTAS WIND SYSTEMS A/S	16/12/2020	4078760	20828283.0	
4078936	Banks and Acquirers International Holding	11/12/2020	4078936	20821012.0	French
4079193	Meta-Regalbau GmbH & Co. KG	01/04/2022	4079193	22166314.9	German
4079659	Ambaflex International B.V.	23/04/2021	4079659	21170047.1	
4079674	J. Schmalz GmbH	14/04/2022	4079674	22168480.6	German
4079709	Sumitomo Electric Hardmetal Corp.	29/10/2020	4079709	20903662.3	
4079972	Brügger HTB GmbH	19/04/2021	4079972	21169165.4	German
4080571	LG Electronics Inc.	31/12/2019	4080571	19956856.9	
4080693	Komax Holding AG	30/06/2017	4080693	22164420.6	
4081316	Johnson Health Tech Retail, Inc.	18/12/2020	4081316	20845286.2	
4081317	Goldberger, Zvi	13/12/2020	4081317	20907545.6	
4081380	Husky Injection Molding Systems Ltd.	25/11/2020	4081380	20907803.9	
4082402	Recette9 Inc.	26/12/2019	4082402	19957587.9	
4082656	Kao Corporation	28/12/2020	4082656	20905473.3	
4082718	ETA SA Manufacture Horlogère Suisse	26/04/2021	4082718	21170438.2	French
4083033	NIPPON STEEL Chemical & Material Co., Ltd.	10/12/2020	4083033	20907187.7	
4083406	General Electric Technology GmbH	13/04/2022	4083406	22168141.4	
4083706	Commissariat à l'Energie Atomique et aux Energies Alternatives	27/04/2022	4083706	22170196.4	French
4083755	Tobii AB	27/03/2020	4083755	22176896.3	
4084458	Canon Kabushiki Kaisha	27/04/2022	4084458	22170179.0	
4084838	LivaNova Deutschland GmbH	23/12/2020	4084838	20830347.9	
4084962	Giesecke+Devrient Currency Technology GmbH	16/12/2020	4084962	20830067.3	German
4085054	Helmholtz-Zentrum für Infektionsforschung GmbH	30/12/2020	4085054	20841743.6	
4086172	Amazon Technologies, Inc.	07/08/2015	4086172	22179015.7	
4086732	BEIJING BYTEDANCE NETWORK TECHNOLOGY CO., LTD.	16/08/2021	4086732	21863495.4	
4086770	BEIJING BYTEDANCE NETWORK TECHNOLOGY CO., LTD.	12/03/2021	4086770	21784858.9	
4086901	Sony Group Corporation	27/07/2011	4086901	22167951.7	
4087305	ORANGE	25/05/2018	4087305	22180616.9	French
4087346	Huawei Technologies Co., Ltd.	28/02/2020	4087346	20921883.3	
4087408	ETH Zürich	07/01/2021	4087408	21700498.5	
4088051	Dayco IP Holdings, LLC	07/01/2021	4088051	21738300.9	
4088539	QUALCOMM INCORPORATED	07/01/2021	4088539	21702563.4	
4088802	ELFI S.r.l.	13/05/2022	4088802	22173224.1	
4088933	KONICA MINOLTA, INC.	10/01/2020	4088933	20912797.6	
4089532	BEIJING BYTEDANCE NETWORK TECHNOLOGY CO., LTD.	16/08/2021	4089532	21860195.3	
4089675	Dolby International AB	19/12/2014	4089675	22176389.9	
4089838	Delta Electronics, Inc.	01/11/2021	4089838	21205775.6	
4089953	Guangdong OPPO Mobile Telecommunications Corp., Ltd.	29/03/2018	4089953	22183457.5	
4090281	Stryker Corporation	13/01/2021	4090281	21705322.2	
4091205	Northrop Grumman Systems Corporation	22/11/2020	4091205	20825338.5	
4092338	Climaco Holding AB	15/09/2016	4092338	22178953.0	
4092846	Atressa Global Corporation, S.L.	12/01/2021	4092846	21703303.4	
4093812	Eastman Chemical Company	20/01/2021	4093812	21704678.8	
4094964	Daimler Truck AG	08/12/2020	4094964	20916288.2	
4094984	EPSILON Kran GmbH.	28/05/2021	4094984	21176621.7	German
4095032	Bombardier Inc.	04/06/2020	4095032	22186433.3	
4095168	Mitsui Chemicals, Inc.	14/12/2020	4095168	20915377.4	
4095510	LG Energy Solution, Ltd.	16/06/2021	4095510	21858448.0	
4095590	Alps Alpine Co., Ltd.	17/05/2022	4095590	22173839.6	
4095851	Honeywell International Inc.	09/05/2022	4095851	22172263.0	
4096289	Apple Inc.	14/10/2014	4096289	22184527.4	

4096462	NIKE Innovate C.V.	06/01/2021	4096462	21702351.4	
4096984	Sew-Eurodrive GmbH & Co. KG	17/12/2020	4096984	20830185.3	German
4097000	Survitec Group Limited	26/01/2021	4097000	21702015.5	
4098123	DIOSNA Dierks & Söhne GmbH	02/06/2021	4098123	21177415.3	German
4099030	GEOTAB Inc.	01/06/2022	4099030	22176633.0	
4099278	Rockwell Collins, Inc.	01/06/2022	4099278	22176709.8	
4099691	Samsung Electronics Co., Ltd.	30/05/2022	4099691	22176102.6	
4099813	Väderstad Holding AB	27/01/2021	4099813	21702251.6	
4100948	VoiceAge Corporation	01/02/2021	4100948	21751043.7	
4101156	Apple Inc.	15/04/2022	4101156	22722604.0	
4101382	NOK Corporation	12/01/2021	4101382	21751301.9	
4101402	Aalto University Foundation sr	11/06/2021	4101402	21179113.2	
4101881	Synthos S.A.	11/06/2021	4101881	21178933.4	
4102272	IHP GmbH - Innovations for High Performance Microelectronics / Leibniz-Institut für innovative Mikroelektronik	08/06/2021	4102272	21178302.2	
4102308	The Swatch Group Research and Development Ltd	08/06/2021	4102308	21178264.4	French
4102478	Arlo Technologies, Inc.	08/06/2022	4102478	22177848.3	
4102696	Panasonic Intellectual Property Management Co., Ltd.	23/12/2020	4102696	20917383.0	
4102863	Gamania Digital Entertainment Co., Ltd.	09/03/2020	4102863	20924649.5	
4103442	Saint-Gobain Glass France	09/02/2021	4103442	21709070.3	French
4103793	ISB France	08/02/2021	4103793	21702696.2	French
4104391	Hughes Network Systems, LLC	12/02/2021	4104391	21710775.4	
4105410	SpeedInnov	13/06/2022	4105410	22178694.0	French
4105543	Iris Tech, Inc.	10/07/2020	4105543	20936318.3	
4105551	RWE Technology International GmbH	25/05/2022	4105551	22175464.1	German
4105571	Daikin Industries, Ltd.	01/12/2020	4105571	20919326.7	
4105573	Lennox Industries Inc.	25/05/2022	4105573	22175469.0	
4105736	Omega SA	18/06/2021	4105736	21180254.1	French
4106242	Huizhou TCL Mobile Communication Co., Ltd	26/03/2020	4106242	20919159.2	
4106364	VOLKSWAGEN AG Seat, S.A.	14/06/2021	4106364	21179268.4	
4107237	VALMET AB	25/01/2021	4107237	21756576.1	
4107252	CEVEC Pharmaceuticals GmbH	23/11/2021	4107252	21811385.0	
4107625	Sifive, Inc.	12/02/2021	4107625	21711085.7	
4108310	Apator Metrix Spolka Akcyjna	17/01/2022	4108310	22151727.9	
4109066	Harro Höfliger Verpackungsmaschinen GmbH	25/06/2021	4109066	21181686.3	German
4109931	Cisco Technology, Inc.	21/06/2022	4109931	22180232.5	
4111055	VC VIII Polytech Holding ApS	15/02/2021	4111055	21705936.9	German
4111526	Whitemark Technology GmbH	14/05/2021	4111526	21727786.2	
4112465	B/E Aerospace, Inc.	28/06/2021	4112465	21182203.6	
4112925	Garcia Martinez, Victoriano	28/06/2022	4112925	22382604.1	
4113091	Uni-helium Test Technology (Shanghai) Co., Ltd	21/01/2022	4113091	22152741.9	
4113183	Nippon Telegraph And Telephone Corporation	28/02/2020	4113183	20921467.5	
4113214	Nivarox-FAR S.A.	02/07/2021	4113214	21183466.8	French
4113301	Commissariat à l'Energie Atomique et aux Energies Alternatives	27/06/2022	4113301	22181170.6	French
4113419	Hitachi, Ltd.	15/12/2020	4113419	20921742.1	
4113968	NEC Corporation	28/02/2020	4113968	20921065.7	
4114045	Huawei Technologies Co., Ltd.	30/03/2021	4114045	21778985.8	
4114152	CGF Counsel Group Frankfurt AG	02/07/2021	4114152	21183465.0	German
4114512	Medtronic, Inc.	01/03/2021	4114512	21714046.6	
4114800	The Research Foundation for The State University of New York	02/03/2021	4114800	21764081.2	
4115475	Phoenix Contact GmbH & Co. KG	25/02/2021	4115475	21706967.3	German

4116045	LG Electronics, Inc.	03/03/2021	4116045	21764338.6	
4116170	Hitachi Rail GTS Deutschland GmbH	27/05/2022	4116170	22175746.1	German
4116549	Proventia Oy	14/06/2022	4116549	22178889.6	
4116670	AGCO International GmbH	01/07/2022	4116670	22182582.1	
4117394	Einhell Germany AG	01/06/2022	4117394	22176732.0	German
4117823	Alfa Laval Corporate AB	11/03/2021	4117823	21710963.6	
4118039	Analytik Jena GmbH+Co. KG	08/03/2021	4118039	21711497.4	German
4118198	Life Edit Therapeutics, Inc.	23/04/2021	4118198	21725880.5	
4118692	Ramot at Tel-Aviv University Ltd. Yeda Research and Development Co. Ltd. Yissum Research Development Company of the Hebrew University of Jerusalem Ltd.	08/03/2021	4118692	21767184.1	
4118927	QUALCOMM INCORPORATED	11/03/2021	4118927	21716014.2	
4119686	Novelis Inc.	23/10/2018	4119686	22193045.6	
4119744	Sany Automobile Manufacturing Co., Ltd.	28/08/2020	4119744	20924785.7	
4120355	Samsung Display Co., Ltd.	14/07/2022	4120355	22184838.5	
4120560	DENSO CORPORATION	02/03/2021	4120560	21767895.2	
4120653	EXFO Inc.	14/07/2022	4120653	22185033.2	
4120715	Samsung Electronics Co., Ltd.	14/07/2022	4120715	22185022.5	
4121344	Costa, Michela	15/03/2021	4121344	21717522.3	
4122056	HARTING Electric Stiftung & Co. KG	10/03/2021	4122056	21714811.3	German
4122272	QUALCOMM INCORPORATED	17/03/2021	4122272	21718472.0	
4123646	Tencent Technology (Shenzhen) Company Limited	17/06/2021	4123646	21850172.4	
4123785	Zhuhai Titans New Power Electronics Co., Ltd	02/09/2020	4123785	20945577.3	
4124037	Imagination Technologies Limited	20/07/2022	4124037	22186117.2	
4124142	LG Electronics, Inc.	27/04/2021	4124142	21795732.3	
4124178	Lutron Technology Company LLC	05/08/2016	4124178	22195375.5	
4124457	FUJIFILM Corporation	04/07/2022	4124457	22182757.9	
4124565	Airbus Operations, S.L.U.	29/07/2021	4124565	21382712.4	
4124568	Airbus Operations, S.L.U.	09/06/2022	4124568	22382556.3	
4125962	Université Grenoble Alpes Commissariat à l'Energie Atomique et aux Energies Alternatives Centre national de la recherche scientifique	29/03/2021	4125962	21714215.7	French
4126040	Nutrivert Inc.	25/03/2021	4126040	21774898.7	
4126281	The Marketing Store Worldwide, LLC	25/03/2021	4126281	21719446.3	
4126510	Stratasys Powder Production Ltd	29/03/2021	4126510	21722974.9	
4126516	SAFRAN AIRCRAFT ENGINES	18/03/2021	4126516	21716498.7	French
4126573	Firestone Industrial Products Company, LLC	29/03/2021	4126573	21720333.0	
4127341	ROCKWOOL A/S	01/04/2021	4127341	21717018.2	
4127396	Baker Hughes Oilfield Operations, LLC	24/03/2021	4127396	21775060.3	
4127747	Schaeffler Technologies AG & Co. KG	24/03/2020	4127747	20718536.4	German
4128951	Nokia Technologies Oy	22/04/2021	4128951	21722299.1	
4129170	Hill-Rom Services, Inc.	29/05/2016	4129170	22198100.4	
4129541	Mitsubishi Materials Corporation	12/03/2021	4129541	21782187.5	
4129578	Samsung Electronics Co., Ltd.	16/03/2021	4129578	21792813.4	
4129665	NITTO DENKO CORPORATION	19/03/2021	4129665	21774428.3	
4129736	Hyundai Mobis Co., Ltd.	28/07/2022	4129736	22187429.0	
4130551	Chongyi Jingyi Lighting Product Co., Ltd	03/08/2022	4130551	22188554.4	
4131347	Mitsui Mining & Smelting Co., Ltd.	12/03/2021	4131347	21775391.2	
4132176	Apple Inc.	04/08/2021	4132176	22190051.7	
4132235	Mitsubishi Materials Corporation	29/03/2021	4132235	21779171.4	
4132320	Hutchinson, Eileen	30/03/2021	4132320	21718197.3	
4134615	Guay Guay Trading Co., Ltd.	08/08/2022	4134615	22189226.8	
4135191	HYUNDAI MOTOR COMPANY Kia Corporation	19/07/2022	4135191	22185708.9	
4135524	JARVIS PRODUCTS CORPORATION	29/12/2020	4135524	20931289.1	

4136346	Siemens Gamesa Renewable Energy Innovation & Technology S.L.	29/04/2021	4136346	21722208.2	
4136394	L'Air Liquide, Société Anonyme pour l'Etude et l'Exploitation des Procédés Georges Claude	23/03/2021	4136394	21713028.5	French
4136457	Vyriad, Inc. Regeneron Pharmaceuticals, Inc.	19/04/2021	4136457	21727275.6	
4137067	Lifetech Scientific (Shenzhen) Co., Ltd	07/11/2014	4137067	22200725.4	
4137864	Hamamatsu Photonics K.K.	17/03/2021	4137864	21818864.7	
4137891	Seiko Epson Corporation	16/08/2022	4137891	22190466.7	
4138024	W&W Co., Ltd.	14/05/2021	4138024	21817495.1	
4138188	LG Energy Solution, Ltd.	13/09/2021	4138188	21877872.8	
4140570	RIMTEC Corporation	23/04/2021	4140570	21792183.2	
4140773	The Goodyear Tire & Rubber Company	29/08/2022	4140773	22192527.4	
4140909	Stasher, Inc.	01/03/2016	4140909	22199014.6	
4140982	Chirogate International Inc.	20/07/2022	4140982	22186007.5	
4141091	Afton Chemical Corporation	18/08/2022	4141091	22190943.5	
4141268	Premium AEROTEC GmbH	25/03/2022	4141268	22164412.3	German
4141299	Norham	03/08/2022	4141299	22188622.9	French
4141389	LEINE & LINDE AB	24/08/2021	4141389	21192861.9	
4141855	BOE Technology Group Co., Ltd.	24/04/2020	4141855	20900758.2	
4141874	Samsung Electronics Co., Ltd.	27/06/2022	4141874	22181270.4	
4141905	incoatec GmbH	11/08/2022	4141905	22189864.6	German
4142270	Honor Device Co., Ltd.	26/04/2022	4142270	22800052.7	
4142559	LG Electronics Inc.	10/08/2020	4142559	20934170.0	
4143694	Brave Software, Inc.	29/04/2021	4143694	21797525.9	
4144487	Tencent Technology (Shenzhen) Company Limited	12/10/2021	4144487	21884924.8	
4144536	NTN Corporation	20/04/2021	4144536	21795477.5	
4144580	Safran Seats USA LLC	08/08/2022	4144580	22189308.4	
4144921	Anstar Oy	22/08/2022	4144921	22191500.2	
4145874	Vivo Mobile Communication Co., Ltd.	29/04/2021	4145874	21797172.0	
4145989	Fiizk Technology AS	04/05/2021	4145989	21728327.4	
4147604	Curaden AG	14/09/2021	4147604	21196660.1	German
4147800	Dalian Field Manufacturing Co., Ltd	13/07/2021	4147800	21842514.8	
4148492	STMICROELECTRONICS S.r.l.	05/09/2022	4148492	22193906.9	
4148534	INTEL Corporation	09/08/2022	4148534	22189433.0	
4148966	Huawei Digital Power Technologies Co., Ltd.	29/05/2020	4148966	20937951.0	
4150295	Volume Graphics GmbH	10/05/2021	4150295	21729212.7	German
4150803	QUALCOMM Incorporated	13/05/2020	4150803	20935954.6	
4151271	Kurage	17/09/2021	4151271	21306290.4	
4151532	Hamilton Sundstrand Corporation	14/09/2022	4151532	22195595.8	
4151686	SHPP Global Technologies B.V.	15/09/2021	4151686	21196819.3	
4152048	Jiaxing U photon Optoelectronics Technology Co., Ltd.	10/05/2021	4152048	21804444.4	
4152333	Samsung Electronics Co., Ltd.	16/09/2022	4152333	22196237.6	
4152356	Meidensha Corporation	04/06/2021	4152356	21825149.4	
4152999	Blue Ice Europe	03/05/2021	4152999	21732419.3	French
4153038	Avent, Inc.	11/05/2021	4153038	21731335.2	
4153389	The Gillette Company LLC	19/05/2021	4153389	21731660.3	
4153526	Continental Automotive Technologies GmbH	10/05/2021	4153526	21727361.4	German
4154156	Autodesk, Inc.	21/04/2021	4154156	21808026.5	
4154518	META PLATFORMS TECHNOLOGIES, LLC	20/05/2021	4154518	21735791.2	
4154683	Signify Holding B.V.	20/05/2021	4154683	21725972.0	
4154698	CLAAS E-Systems GmbH	11/07/2022	4154698	22184000.2	German
4155068	ARKEMA FRANCE	22/09/2022	4155068	22197191.4	French
4155592	ZF CV Systems Europe BV	12/09/2022	4155592	22195077.7	German
4155593	ZF CV Systems Europe BV	12/09/2022	4155593	22195078.5	German

4156139	INTEL Corporation	23/08/2022	4156139	22191759.4	
4156620	BEIJING BYTEDANCE NETWORK TECHNOLOGY CO., LTD.	02/06/2021	4156620	21818480.2	
4156741	Huawei Technologies Co., Ltd.	07/06/2021	4156741	21821738.8	
4156996	JT International SA	26/05/2021	4156996	21734212.0	
4156997	JT International SA	26/05/2021	4156997	21734213.8	
4156998	JT International SA	26/05/2021	4156998	21734489.4	
4157649	Continental Reifen Deutschland GmbH	11/05/2021	4157649	21728430.6	German
4158762	Schaeffler Technologies AG & Co. KG	06/05/2021	4158762	21726320.1	German
4159006	Signify Holding B.V.	20/05/2021	4159006	21726132.0	
4159539	Valeo Vision	30/09/2022	4159539	22198908.0	
4159582	CASCO SIGNAL LTD.	06/01/2022	4159582	21931254.3	
4159871	Becton, Dickinson and Company	20/03/2018	4159871	22208796.7	
4159930	Sumitomo Construction Machinery Co., Ltd.	25/05/2021	4159930	21814188.5	
4159932	Sumitomo Construction Machinery Co., Ltd.	24/05/2021	4159932	21813056.5	
4160307	SZ DJI Technology Co., Ltd.	29/05/2020	4160307	20937476.8	
4160384	SCREEN Holdings Co., Ltd.	27/09/2022	4160384	22198082.4	
4160400	Palantir Technologies Inc.	03/10/2022	4160400	22199441.1	
4160558	Asahi Seiko Co., Ltd.	19/08/2022	4160558	22191340.3	
4161233	Samsung Electronics Co., Ltd.	23/06/2022	4161233	22180683.9	
4162161	Robert Bosch GmbH	31/05/2021	4162161	21730532.5	German
4163017	Shenzhen Smoore Technology Limited	06/10/2022	4163017	22199983.2	
4163502	thyssenkrupp Marine Systems GmbH thyssenkrupp AG	28/09/2022	4163502	22198378.6	German
4163563	LG Electronics Inc.	06/10/2022	4163563	22199925.3	
4163646	3M Innovative Properties Company	07/10/2021	4163646	21201460.9	
4164097	ALSTOM Holdings	11/10/2022	4164097	22200786.6	French
4164339	KOITO MANUFACTURING CO., LTD.	08/06/2021	4164339	21821624.0	
4164567	KCI Manufacturing Unlimited Company	14/06/2021	4164567	21740197.5	
4165298	Mutech B.V.	20/05/2021	4165298	21727615.3	
4165389	Bioland Laboratory Institute of Biophysics of the Chinese Academy of Sciences	17/03/2021	4165389	21714623.2	
4166104	Olympus Terumo Biomaterials Corp.	11/06/2020	4166104	20939684.5	
4166197	Piristeel Oy	15/10/2021	4166197	21202996.1	
4166450	Wing Aviation LLC	29/06/2017	4166450	22212602.1	
4166890	Fabbrica d'Armi Pietro Beretta S.p.A.	05/10/2022	4166890	22199774.5	
4166891	Fabbrica d'Armi Pietro Beretta S.p.A.	05/10/2022	4166891	22199815.6	
4166894	Fabbrica d'Armi Pietro Beretta S.p.A.	05/10/2022	4166894	22199775.2	
4166955	Reactive Technologies Limited	25/06/2019	4166955	22210977.9	
4167013	Leica Mikrosysteme GmbH	15/10/2021	4167013	21202962.3	
4167014	L3Harris Technologies, Inc.	12/10/2022	4167014	22200991.2	
4167329	Nemak, S.A.B. de C.V.	13/10/2021	4167329	21202414.5	German
4167607	DENSO CORPORATION	12/10/2021	4167607	21202063.0	
4167726	Fenner, Marcel	15/06/2021	4167726	21733428.3	
4168350	Krones AG	16/06/2021	4168350	21736255.7	German
4168797	Saudi Arabian Oil Company	22/06/2021	4168797	21742600.6	
4169428	Samsung Electronics Co., Ltd.	15/11/2021	4169428	21898462.3	
4169648	AIRBUS OPERATIONS (S.A.S.)	08/09/2022	4169648	22194720.3	French
4170174	LG Electronics Inc.	23/06/2022	4170174	22180645.8	
4170210	ZF CV Systems Europe BV	23/09/2022	4170210	22197493.4	German
4170410	L3Harris Technologies, Inc.	18/10/2022	4170410	22202246.9	
4170656	Samsung Electronics Co., Ltd.	06/07/2022	4170656	22183266.0	
4170987	Sony Semiconductor Solutions Corporation	04/06/2021	4170987	21829823.0	
4171004	Ricoh Company, Ltd.	26/09/2022	4171004	22197801.8	
4171971	COMPAGNIE GENERALE DES ETABLISSEMENTS MICHELIN	24/06/2021	4171971	21745362.0	French

4172173	Yissum Research Development Company of the Hebrew University of Jerusalem Ltd. Hadasit Medical Research Services&Development Ltd.	27/06/2021	4172173	21833945.5	
4172394	Kuraray Co., Ltd.	25/06/2021	4172394	21765740.2	
4172447	Evinoks Servis Ekipmanlari Sanayi ve Ticaret Anonim Sirketi	01/04/2021	4172447	21763160.5	
4173443	Tesla, Inc.	23/06/2021	4173443	21745869.4	
4173574	mediVR, Inc.	17/03/2022	4173574	22790189.9	
4173834	Seiko Epson Corporation	24/10/2022	4173834	22203356.5	
4174028	ECOPRO BM CO., LTD.	24/10/2022	4174028	22203198.1	
4174494	Lansion Biotechnology Co., Ltd.	27/09/2021	4174494	21930597.6	
4174603	KABUSHIKI KAISHA TOSHIBA Toshiba Energy Systems & Solutions Corporation	13/09/2022	4174603	22195334.2	
4175289	Sony Semiconductor Solutions Corporation	17/06/2021	4175289	21828247.3	
4175428	Honor Device Co., Ltd.	27/04/2022	4175428	22797001.9	
4175514	Fors France	02/07/2021	4175514	21748918.6	French
4176164	VOLKSWAGEN AKTIENGESELLSCHAFT	01/07/2021	4176164	21743382.0	German
4177077	The Goodyear Tire & Rubber Company	28/10/2022	4177077	22204428.1	
4177089	LCI Italy S.r.l.	03/11/2022	4177089	22205279.7	
4177561	Vaillant GmbH	19/10/2022	4177561	22202473.9	German
4178106	IronRidge, Inc.	08/12/2017	4178106	22205326.6	
4179866	CNH Industrial Belgium NV	15/11/2022	4179866	22207459.3	
4180288	Meishan CRRC Brake Science & Technology Co., Ltd.	25/10/2021	4180288	21809891.1	
4180600	Simonswerk GmbH	11/08/2022	4180600	22189862.0	German
4180653	VESTAS WIND SYSTEMS A/S	15/11/2021	4180653	21208272.1	
4180954	Panasonic Intellectual Property Management Co., Ltd.	24/05/2021	4180954	21837781.0	
4181136	Samsung Electronics Co., Ltd.	12/07/2022	4181136	22184395.6	
4181412	Samsung Electronics Co., Ltd.	26/07/2021	4181412	21856092.8	
4181628	MACOM Technology Solutions Holdings, Inc.	22/11/2012	4181628	22216065.7	German
4182009	NOVOCURE GMBH	30/09/2021	4182009	21811455.1	
4182141	Hans Weber Maschinenfabrik GmbH	12/07/2021	4182141	21742382.1	German
4182241	Illinois Tool Works Inc.	15/07/2021	4182241	21752361.2	
4182705	Isabellenhütte Heusler GmbH & Co. KG	20/04/2021	4182705	21721035.0	German
4182797	International Business Machines Corporation	09/08/2021	4182797	21755978.0	
4183241	Nanjing Chervon Industry Co., Ltd.	27/06/2022	4183241	22831952.1	
4183287	NIKE Innovate C.V.	30/10/2020	4183287	23150642.9	
4183360	Cook Medical Technologies LLC	22/11/2022	4183360	22208947.6	
4183595	The Goodyear Tire & Rubber Company	20/10/2022	4183595	22202800.3	
4183749	ECOPRO BM CO., LTD.	23/03/2022	4183749	22163828.1	
4184321	Huawei Technologies Co. Ltd.	28/07/2021	4184321	21854586.1	
4184370	Autodesk, Inc.	04/11/2022	4184370	22205650.9	
4184820	Huawei Technologies Co., Ltd.	22/03/2021	4184820	21853644.9	
4184868	Zscaler, Inc.	31/08/2022	4184868	22193125.6	
4185716	Eurofins Genoma Group Srl Istituti Fisioterapici Ospitalieri	22/07/2021	4185716	21755837.8	
4186379	Japan Tobacco Inc.	01/07/2019	4186379	22215920.4	
4186466	Clunet-Coste, Bruno Maneuf, Bernard Collombin, André	09/11/2022	4186466	22206424.8	French
4186797	Goodrich Corporation	30/11/2022	4186797	22210595.9	
4187788	NXP USA, Inc.	29/11/2021	4187788	21306652.5	
4187815	Huawei Technologies Co. Ltd.	09/08/2021	4187815	21855471.5	
4187885	Honor Device Co., Ltd.	17/08/2021	4187885	21865804.5	
4187940	Huawei Technologies Co. Ltd.	01/04/2021	4187940	21853160.6	

4189111	Guardant Health, Inc.	29/07/2021	4189111	21758891.2	
4189117	Administración General de la Comunidad Autónoma de Euskadi	27/07/2021	4189117	21758610.6	
4189302	VALEO SYSTEMES THERMIQUES	27/07/2021	4189302	21749638.9	French
4190493	Panasonic Intellectual Property Management Co., Ltd.	17/05/2021	4190493	21848561.3	
4191144	BSH Hausgeräte GmbH	18/11/2022	4191144	22208292.7	German
4191234	Leica Microsystems CMS GmbH	06/12/2021	4191234	21212550.4	
4191326	Nippon Telegraph And Telephone Corporation	03/08/2020	4191326	20948171.2	
4192180	GUANGDONG OPPO MOBILE TELECOMMUNICATIONS CORP., LTD.	31/07/2020	4192180	20947187.9	
4192279	JT International SA	16/07/2021	4192279	21742152.8	
4192882	Astrazeneca AB	22/04/2022	4192882	22724712.9	
4193559	Interdigital Patent Holdings, Inc.	06/08/2021	4193559	21766263.4	
4193865	NIKE Innovate C.V.	25/10/2017	4193865	23154447.9	
4193866	NIKE Innovate C.V.	25/10/2017	4193866	23154454.5	
4194114	Guangdong Brunp Recycling Technology Co., Ltd. Hunan Brunp Recycling Technology Co., Ltd. Hunan Brunp EV Recycling Co., Ltd.	30/04/2021	4194114	21859669.0	
4194210	Brother Kogyo Kabushiki Kaisha	09/12/2022	4194210	22212556.9	
4194632	Università degli Studi della Basilicata Styloffice S.p.A. Università degli Studi di Camerino	07/12/2021	4194632	21425061.5	
4194691	VESTAS WIND SYSTEMS A/S	17/12/2019	4194691	23153682.2	
4194760	BSH Hausgeräte GmbH	08/11/2022	4194760	22206193.9	German
4194813	Dr. Ing. h.c. F. Porsche AG	07/12/2021	4194813	21020617.3	
4194852	Carrier Corporation	12/12/2022	4194852	22212951.2	
4195020	Huawei Technologies Co. Ltd.	02/06/2021	4195020	21857282.4	
4195054	INTEL Corporation	02/11/2022	4195054	22205070.0	
4195623	Huawei Technologies Co. Ltd.	03/08/2021	4195623	21860073.2	
4195673	MediaTek Singapore Pte Ltd	07/12/2021	4195673	21212735.1	
4195813	FUJITSU LIMITED	06/08/2020	4195813	20948213.2	
4196035	Brainlab AG	12/08/2020	4196035	20756825.4	
4196036	Brainlab AG	12/08/2021	4196036	21763286.8	
4196263	Blücher GmbH	01/06/2021	4196263	21731709.8	German
4196970	Limited Liability Company "G-Mak"	04/04/2022	4196970	22854766.7	
4197805	Sumitomo Rubber Industries, Ltd.	29/09/2022	4197805	22198565.8	
4197815	The Goodyear Tire & Rubber Company	08/12/2022	4197815	22212326.7	
4198367	Mueller International, LLC	21/03/2018	4198367	23155872.7	
4198583	HOYA LENS THAILAND LTD.	24/12/2021	4198583	21911103.6	
4198680	Huawei Technologies Co. Ltd.	10/08/2021	4198680	21865777.3	
4200101	TRUMPF Werkzeugmaschinen SE + Co. KG WSoptics technologies GmbH	21/08/2020	4200101	20767480.5	German
4200196	Bayerische Motoren Werke Aktiengesellschaft	07/07/2021	4200196	21743087.5	German
4200428	Oxford Genetics Limited Oxford University Innovation Limited	20/08/2021	4200428	21759123.9	
4201762	Suzuki Motor Corporation	19/10/2022	4201762	22202397.0	
4202294	Patlite Corporation	30/11/2020	4202294	20963603.4	
4202439	The Regents of the University of California	07/06/2017	4202439	22211678.2	
4203299	Jurchen Technology GmbH	06/09/2022	4203299	22194228.7	German
4203528	Datang Mobile Communications Equipment Co., Ltd.	23/08/2021	4203528	21860318.1	
4203706	QULLUKKAT IVS	30/08/2021	4203706	21769055.1	
4203758	Globe (Jiangsu) Co., Ltd.	15/09/2021	4203758	21871374.1	
4203851	Edwards Lifesciences Corporation	20/07/2021	4203851	21752421.4	
4203912	SOS Science of Skin Ltd	25/08/2021	4203912	21786542.7	

4204217	Plantics Holding B.V.	24/08/2021	4204217	21766628.8	
4204729	Hamilton Medical AG	01/08/2022	4204729	22764312.9	German
4205073	Raytheon Company	19/08/2021	4205073	21769589.9	
4205175	Yangtze Memory Technologies Co., Ltd.	01/06/2022	4205175	22817512.1	
4205375	Samsung Electronics Co., Ltd.	20/05/2021	4205375	21872664.4	
4205695	Medit Corp.	30/12/2022	4205695	22217285.0	
4205869	Soudal N.V.	29/12/2022	4205869	22217148.0	
4206009	Hyundai Mobis Co., Ltd.	15/03/2022	4206009	22162130.3	
4206075	Hamilton Sundstrand Corporation	02/12/2022	4206075	22211088.4	
4206232	CHANGZHOU ENDELAN CHEMICALS IMP. & EXP. CO., LTD.	08/12/2021	4206232	21902667.1	
4206535	Ansaldo Energia Switzerland AG	30/12/2021	4206535	21218284.4	
4206888	Honor Device Co., Ltd.	09/05/2022	4206888	22814973.8	
4207142	Huawei Technologies Co. Ltd.	11/05/2021	4207142	21873874.8	
4207243	FEI Company	29/12/2022	4207243	22217126.6	
4207691	NXP B.V.	16/11/2022	4207691	22207910.5	
4207721	Honor Device Co., Ltd.	25/08/2022	4207721	22871037.2	
4207880	Nokia Solutions and Networks Oy	25/11/2022	4207880	22209651.3	
4208520	Baker Hughes Oilfield Operations LLC	25/08/2021	4208520	21772915.1	
4208808	Google LLC	29/09/2021	4208808	21795207.6	
4209010	Nubart GmbH	02/09/2021	4209010	21770238.0	
4209106	Google LLC	15/09/2021	4209106	21789950.9	
4209112	Watlow Electric Manufacturing Company	02/09/2021	4209112	21783639.4	
4209679	PHINIA Delphi Luxembourg SARL	06/01/2023	4209679	23150523.1	
4209712	Vaillant GmbH	06/01/2023	4209712	23150574.4	German
4209789	Samsung Electronics Co., Ltd.	10/01/2023	4209789	23150856.5	
4209961	Huawei Technologies Co. Ltd.	18/10/2021	4209961	21881967.0	
4210292	Huawei Technologies Co., Ltd.	14/10/2019	4210292	22210761.7	
4210341	Toshiba TEC Kabushiki Kaisha	16/11/2022	4210341	22207732.3	
4210945	Von Roll Schweiz AG	08/09/2021	4210945	21773380.7	
4211305	Siemens Energy Global GmbH & Co. KG	14/10/2021	4211305	21801021.3	German
4211434	ifm electronic gmbh	15/10/2021	4211434	21794793.6	German
4211538	Next System Vertriebsges.m.b.H.	09/08/2021	4211538	21755986.3	German
4211823	QUALCOMM INCORPORATED	14/09/2021	4211823	21794068.3	
4212536	F. Hoffmann-La Roche AG	01/07/2016	4212536	22204250.9	
4212703	General Electric Technology GmbH	21/12/2022	4212703	22215493.2	
4212704	General Electric Technology GmbH	21/12/2022	4212704	22215495.7	
4212813	Nomen Calvet, Juan Eusebio WGA WATER GLOBAL ACCESS, S.L. Hanganu, Dan Alexandru	10/09/2021	4212813	21866144.5	
4213280	Samsung SDI Co., Ltd.	13/01/2023	4213280	23151507.3	
4213962	Boll & Kirch Filterbau Gesellschaft mit beschränkter Haftung	20/09/2021	4213962	21786579.9	
4214190	Kemira OYJ	05/11/2021	4214190	21802370.3	
4215436	CPAC Systems AB	20/01/2022	4215436	22152523.1	
4216216	NIPPON TELEGRAPH AND TELEPHONE CORPORATION	04/07/2019	4216216	23156617.5	
4216599	Seven Networks, LLC	11/06/2014	4216599	22214469.3	
4217642	Robert Bosch GmbH	18/08/2021	4217642	21765627.1	German
4218382	Precision Planting LLC	15/11/2018	4218382	23154442.0	
4218921	Medtronic, Inc.	05/12/2019	4218921	23165186.0	
4219058	KABUSHIKI KAISHA KOBE SEIKO SHO (KOBE STEEL, LTD.)	11/10/2021	4219058	21885881.9	
4219128	RTX Corporation	24/09/2019	4219128	23159233.8	
4219153	Hanwha Azdel, Inc.	11/12/2017	4219153	22213906.5	
4219743	Leadway (HK) Limited	24/05/2018	4219743	23151900.0	
4219909	RTX Corporation	24/09/2020	4219909	23165729.7	
4220492	FUJITSU LIMITED	28/01/2022	4220492	22153860.6	
4220898	Daikin Industries, Ltd.	21/09/2021	4220898	21872435.9	
4221196	Sony Interactive Entertainment Inc.	11/08/2011	4221196	23174341.0	
4221940	Hilti Aktiengesellschaft	17/09/2021	4221940	21769488.4	German

4221941	Hilti Aktiengesellschaft	17/09/2021	4221941	21769487.6	German
4222516	TOTALENERGIES ONETECH	30/09/2021	4222516	21785892.7	French
4222958	Koninklijke Philips N.V.	27/09/2021	4222958	21783493.6	
4223348	Fisher & Paykel Healthcare Limited	25/06/2013	4223348	23165886.5	
4223429	JFE Steel Corporation	29/06/2021	4223429	21874838.2	
4224080	Daikin Industries, Ltd.	13/07/2021	4224080	21874854.9	
4225557	Applied Resin S.L.	05/10/2021	4225557	21806338.6	
4226179	Rheinmetall Air Defence AG	08/10/2021	4226179	21790428.3	German
4226801	Honeywell International Inc.	17/06/2020	4226801	23169509.9	
4227362	Denka Company Limited	30/09/2021	4227362	21877471.9	
4227546	Honor Device Co., Ltd.	06/09/2022	4227546	22856864.8	
4228086	Lansus Technologies Inc.	31/03/2022	4228086	22879606.6	
4228094	Huawei Technologies Co. Ltd.	22/11/2021	4228094	21896909.5	
4228485	Essity Hygiene and Health Aktiebolag	14/10/2020	4228485	20793601.4	
4228853	PMT Szerszámgép Zrt.	14/12/2021	4228853	21905890.6	
4228948	Siemens Mobility Austria GmbH	09/12/2021	4228948	21839045.8	German
4229628	VoiceAge Corporation	14/10/2021	4229628	21878827.1	
4230253	Medtronic, Inc.	05/10/2017	4230253	23178737.5	
4230452	Zhejiang Geely Holding Group Co., Ltd. Geely Automobile Research Institute (Ningbo) Co., Ltd	21/01/2021	4230452	21920248.8	
4230879	SIMAF CZ s.r.o.	15/02/2023	4230879	23156905.4	
4230887	Honor Device Co., Ltd.	03/03/2022	4230887	22778460.0	
4230969	Orbis Intelligent Systems, Inc.	05/04/2019	4230969	23170438.8	
4231068	Sumitomo Electric Optifrontier Co., Ltd.	12/10/2021	4231068	21880113.2	
4231888	Robert Bosch GmbH	26/07/2021	4231888	21749185.1	German
4232950	COMPAGNIE GENERALE DES ETABLISSEMENTS MICHELIN	15/10/2021	4232950	21805573.9	French
4233354	Telefonaktiebolaget LM Ericsson (publ)	22/10/2021	4233354	21801226.8	
4233662	Alfred Kärcher SE & Co. KG	06/09/2019	4233662	23180294.3	German
4233781	maxon international ag	11/08/2017	4233781	23177383.9	German
4234261	Giesecke+Devrient Currency Technology GmbH	19/12/2011	4234261	23020193.1	German
4234651	Denka Company Limited	18/10/2021	4234651	21882757.4	
4234824	TROBOLO Europe Sp. z o.o.	23/02/2023	4234824	23158364.2	German
4235476	HERE Global B.V.	19/07/2021	4235476	23168719.5	
4235644	Google LLC	13/03/2019	4235644	23175890.5	
4235714	NIPPON STEEL CORPORATION	26/10/2021	4235714	21886214.2	
4236272	Vivo Mobile Communication Co., Ltd.	20/10/2021	4236272	21882054.6	
4236283	LivePerson, Inc.	16/12/2019	4236283	23177636.0	
4236374	Boomcloud 360, Inc.	29/11/2018	4236374	23178547.8	
4236390	China Telecom Corporation Limited	18/10/2021	4236390	21884966.9	
4237610	NIKE Innovate C.V.	20/10/2021	4237610	21806576.1	
4238735	Denka Company Limited	07/03/2022	4238735	22775047.8	
4238781	NIPPON STEEL CORPORATION	12/10/2021	4238781	21885883.5	
4239207	NTN Corporation	26/10/2021	4239207	21886188.8	
4239857	XPT EDS (Hefei) Co., Ltd.	28/02/2023	4239857	23159238.7	
4240039	Google LLC	15/04/2020	4240039	23187335.7	
4240688	Liqui-Box Corporation	29/10/2021	4240688	21815744.4	
4241601	NIKE Innovate C.V.	31/07/2020	4241601	23184002.6	
4241621	Leitz ACCO Brands GmbH & Co KG	20/01/2023	4241621	23152605.4	German
4241807	Amgen Inc.	20/03/2018	4241807	23182048.1	
4241836	Axon Therapies, Inc.	22/06/2020	4241836	23189980.8	
4241957	JSP International SARL	09/03/2022	4241957	22161050.4	
4242882	JT International SA	07/03/2023	4242882	23160380.4	
4242998	UISEE (Shanghai) Automotive Technologies Ltd	09/11/2020	4242998	20960481.8	
4243456	Nio Technology (Anhui) Co., Ltd	08/03/2023	4243456	23160699.7	
4243873	Hernandez, Frank J.	16/11/2021	4243873	21815429.2	
4244330	Lonza Biologics Inc.	16/12/2021	4244330	21848354.3	
4244584	Endress+Hauser Flowtec AG	12/11/2020	4244584	20807004.5	German

4245023	Cisco Technology, Inc.	08/11/2021	4245023	21823695.8	
4246311	Quside Technologies S.L.	08/07/2020	4246311	23177452.2	
4246806	INVENTVM Semiconductor SRL	15/03/2022	4246806	22162171.7	
4246858	Huawei Technologies Co. Ltd.	20/05/2022	4246858	23166574.6	
4248059	BiSN Tec Ltd	22/11/2021	4248059	21815638.8	
4248172	Lumus Ltd.	18/11/2021	4248172	21894198.7	
4248189	Amgen Inc.	23/11/2021	4248189	21839714.9	
4249656	BERNINA International AG	24/02/2023	4249656	23158452.5	German
4251480	Volvo Autonomous Solutions AB	25/11/2020	4251480	20812325.7	
4251667	COMPAGNIE GENERALE DES ETABLISSEMENTS MICHELIN Centre National de la Recherche Scientifique Ecole Supérieure de Chimie, Physique, Electronique de Lyon Université Claude Bernard Lyon 1	22/11/2021	4251667	21823972.1	French
4251925	Safran Ceramics	26/11/2021	4251925	21839600.0	French
4251954	Digital Porpoise, LLC	23/11/2021	4251954	21827810.9	
4252132	Microsoft Technology Licensing, LLC	06/10/2021	4252132	21802076.6	
4252625	Essilor International	31/03/2022	4252625	22305423.0	
4252849	Mapi Pharma Ltd.	09/08/2017	4252849	23173177.9	
4253101	Airbus Operations Limited Airbus Operations GmbH AIRBUS OPERATIONS (S.A.S.) Airbus Defence and Space GmbH Meggitt SA	29/03/2023	4253101	23164949.2	
4253140	Ningbo Geely Automobile Research & Development Co., Ltd. Zhejiang Geely Holding Group Co., Ltd.	30/03/2022	4253140	22165352.0	
4253172	9172-9863 Québec Inc.	31/03/2023	4253172	23166124.0	
4253508	Afton Chemical Corporation	27/03/2023	4253508	23164256.2	
4253735	Deere & Company	07/03/2023	4253735	23160525.4	German
4254070	Oki Electric Industry Co., Ltd.	06/12/2022	4254070	22211691.5	
4254210	Continental Automotive Technologies GmbH	31/03/2022	4254210	22165725.7	
4254398	Roland Corporation	03/08/2022	4254398	22188436.4	
4254640	Suzuki Motor Corporation	01/12/2022	4254640	22210760.9	
4254868	Vectra AI, Inc.	19/08/2022	4254868	22191321.3	
4255666	TRUMPF Werkzeugmaschinen SE + Co. KG	25/11/2021	4255666	21820516.9	German
4255816	Bisio Progetti S.p.a.	16/11/2021	4255816	21819965.1	
4255822	Yeti Coolers, LLC	06/01/2022	4255822	22701475.0	
4255842	Timedrips KFT.	29/10/2021	4255842	21848281.8	
4256538	Giesecke+Devrient Currency Technology GmbH	01/12/2021	4256538	21835579.0	German
4256952	Tetra Laval Holdings & Finance S.A.	16/03/2023	4256952	23162427.1	
4256963	NORDISCHER MASCHINENBAU RUD. BAADER GMBH + CO KG	26/04/2016	4256963	23188371.1	German
4257220	Universal City Studios LLC	23/06/2020	4257220	23189872.7	
4257535	Grob GmbH	04/04/2023	4257535	23166569.6	German
4257878	China Nuclear Power Technology Research Institute Co., Ltd. China General Nuclear Power Corporation CGN Power Co., Ltd.	30/09/2021	4257878	21908731.9	
4258878	UPL Corporation Limited UPL Europe Ltd	22/12/2021	4258878	21839639.8	
4258924	Intersurgical AG	09/12/2021	4258924	21839348.6	
4259013	Stryker European Operations Limited	10/12/2021	4259013	21827659.0	
4259040	Xeltis, AG	06/12/2021	4259040	21824569.4	
4259390	The Gillette Company LLC	18/11/2021	4259390	21827358.9	
4259482	George TFE SCP	13/12/2021	4259482	21835845.5	

4259511	INVENTUS Engineering GmbH	13/12/2021	4259511	21839832.9	German
4259538	Sonoco Development, Inc.	12/11/2021	4259538	21820775.1	
4259652	Nordic Bioscience A/S	10/12/2021	4259652	21839072.2	
4260405	PCI Private Limited	10/12/2020	4260405	20828379.6	
4261504	OAS AG	05/04/2023	4261504	23166722.1	German
4261929	Tayca Corporation	07/02/2022	4261929	22752705.8	
4262375	Zyzzle Limited	14/12/2021	4262375	21834850.6	
4262600	ARGA' MEDTECH SA	21/12/2021	4262600	21840962.1	
4262738	ISP Investments LLC	23/11/2021	4262738	21814793.2	French
4263008	CLIFT CLIMBING KFT.	13/12/2021	4263008	21839651.3	
4264161	Hard Style Paintball S.r.o.	23/07/2021	4264161	21755892.3	
4264218	Inficon GmbH	01/12/2021	4264218	21835173.2	German
4264427	Google LLC	23/07/2021	4264427	21759446.4	
4264716	cellcentric GmbH & Co. KG	17/12/2021	4264716	21843887.7	German
4264740	Hellen Systems	14/12/2021	4264740	21841170.0	
4264826	Fraunhofer-Gesellschaft zur Förderung der angewandten Forschung e.V.	15/12/2021	4264826	21847938.4	German
4265332	Veterinary Diagnostics Institute, Inc.	13/06/2018	4265332	23190354.3	
4265868	Axalys	24/03/2023	4265868	23163949.3	French
4265878	Gretsch-Unitas GmbH Baubeschläge	19/04/2022	4265878	22168852.6	German
4266084	Aptiv Technologies AG	06/03/2023	4266084	23160243.4	
4266141	Yamabiko Corporation	15/12/2020	4266141	20965870.7	
4266650	Huawei Technologies Co. Ltd.	13/12/2021	4266650	21909204.6	
4267205	Helmholtz-Zentrum Dresden - Rossendorf e.V. Universität Heidelberg	17/12/2021	4267205	21839526.7	
4267684	Hempel A/S	22/12/2021	4267684	21843992.5	
4267932	Nencki AG	15/12/2021	4267932	21840500.9	German
4268770	Edwards Lifesciences Corporation	31/05/2018	4268770	23198250.5	
4269116	Toshiba TEC Kabushiki Kaisha	16/02/2023	4269116	23157014.4	
4269408	Jiangsu Kanion Pharmaceutical Co., Ltd.	07/12/2021	4269408	21924362.3	
4269416	FUJIFILM Corporation	23/12/2021	4269416	21910972.5	
4270039	FUJIFILM Corporation	27/04/2023	4270039	23170267.1	
4270139	Rakuten Group, Inc.	24/04/2023	4270139	23169396.1	
4270622	Samsung SDI Co., Ltd.	25/04/2022	4270622	22169616.4	
4270673	Häfele Technology Solutions GmbH & Co KG	20/03/2023	4270673	23162834.8	German
4271016	VISA INTERNATIONAL SERVICE ASSOCIATION	13/04/2016	4271016	23198267.9	
4271452	NAOUM, George	01/02/2022	4271452	22701268.9	
4271898	"Barlinek" Spółka Akcyjna	11/04/2022	4271898	22791199.7	
4271925	Schörflinger, Alexander Kirchhofer, Thomas	30/12/2021	4271925	21854803.0	German
4272311	Commissariat à l'Energie Atomique et aux Energies Alternatives	28/12/2021	4272311	21852058.3	French
4273397	Wobben Properties GmbH	05/05/2022	4273397	22171926.3	German
4273888	Framatome GmbH	03/05/2022	4273888	22171320.9	
4274180	Authentic8, Inc.	14/12/2018	4274180	23199498.9	
4274416	MMC First Process AS	06/01/2022	4274416	22700171.6	
4274957	PHINIA Delphi Luxembourg SARL	05/01/2022	4274957	22700302.7	
4275098	Siemens Aktiengesellschaft	21/02/2022	4275098	22711887.4	
4275869	Nanoscribe Holding GmbH	15/03/2023	4275869	23162139.2	German
4276298	Honeywell International Inc.	27/04/2023	4276298	23170315.8	
4276378	Krantz GmbH	09/05/2023	4276378	23172255.4	German
4276460	YS2 Humus Pty Limited	13/08/2019	4276460	23170599.7	
4276880	Rubattel et Weyermann S.A.	10/05/2022	4276880	22172494.1	French
4277220	LG Electronics Inc.	05/08/2016	4277220	23200071.1	
4278030	Siemens Energy Global GmbH & Co. KG	07/04/2022	4278030	22721068.9	German
4278522	QUALCOMM INCORPORATED	08/12/2021	4278522	21851719.1	
4278654	Nokia Technologies Oy	13/12/2021	4278654	21836488.3	
4278956	Biomet Manufacturing, LLC	28/02/2018	4278956	23200630.4	

4279317	Siemens Mobility GmbH	27/04/2023	4279317	23170356.2	German
4279438	Nipper B.V.	11/05/2023	4279438	23172726.4	
4279738	Zimmer, Günther Zimmer, Martin	10/05/2023	4279738	23000071.3	German
4280235	Alfen N.V.	21/04/2023	4280235	23169169.2	
4280617	CANON KABUSHIKI KAISHA	10/03/2023	4280617	23161169.0	
4280940	Edwards Lifesciences Corporation	03/03/2022	4280940	22717292.1	
4281133	Boston Scientific Scimed Inc.	21/03/2022	4281133	22715494.5	
4281306	Stellantis Auto SAS	14/12/2021	4281306	21851825.6	French
4281399	Columbus Mckinnon Industrial Products GmbH	29/11/2021	4281399	21823742.8	German
4281443	EKATI ALCHEMY LAB, S.L. ETHNIKO KAI KAPODISTRIAKO PANEPISTIMIO ATHINON Magiatis, Prokopios Melliou, Eleni Dadiotis, Evangelos	21/01/2022	4281443	22700995.8	
4281658	Stellantis Auto SAS	30/11/2021	4281658	21824631.2	French
4282317	Ambu A/S	24/05/2022	4282317	22175217.3	
4282457	Fisher & Paykel Healthcare Limited	27/06/2016	4282457	23200373.1	
4282481	Commissariat à l'Energie Atomique et aux Energies Alternatives	13/07/2020	4282481	23197707.5	French
4282581	stoba Präzisionstechnik GmbH & Co. KG	15/05/2023	4282581	23173339.5	German
4282594	Milwaukee Electric Tool Corporation	22/05/2023	4282594	23174466.5	
4282629	Kordsa Teknik Tekstil A.S	09/08/2022	4282629	22189530.3	
4283314	Qorvo US, Inc.	10/05/2023	4283314	23172479.0	
4283335	Infineon Technologies AG	23/05/2023	4283335	23174698.3	
4284148	STMicroelectronics S.r.l.	08/05/2023	4284148	23172050.9	
4284230	Edinburgh Biosciences Limited	27/05/2021	4284230	21731407.9	
4284308	Intressa Vascular S.A.	31/01/2022	4284308	22700851.3	
4284609	Hycobility Engineering & Technologies GmbH	19/04/2022	4284609	22718046.0	German
4285248	Qualcomm Incorporated	30/11/2021	4285248	21835039.5	
4285654	QUALCOMM INCORPORATED	30/11/2021	4285654	21835558.4	
4285779	My Little Salon	29/05/2023	4285779	23175882.2	French
4286133	Nissei Plastic Industrial Co., Ltd.	26/05/2023	4286133	23175589.3	
4286247	Hyundai Mobis Co., Ltd.	31/08/2022	4286247	22193240.3	
4286578	SHIMA SEIKI MFG., LTD.	01/06/2023	4286578	23176866.4	
4286596	Langmatz GmbH	05/04/2023	4286596	23166774.2	German
4286788	Axon Enterprise, Inc.	01/03/2018	4286788	23190917.7	
4287990	Boston Scientific Scimed, Inc.	17/03/2022	4287990	22715272.5	
4288705	Octopus Energy Heating Limited	07/02/2022	4288705	22709379.6	
4288717	Octopus Energy Heating Limited	07/02/2022	4288717	22709381.2	
4288724	Octopus Energy Heating Limited	07/02/2022	4288724	22709019.8	
4288731	Octopus Energy Heating Limited	07/02/2022	4288731	22709016.4	
4289073	QUALCOMM INCORPORATED	10/01/2022	4289073	22709843.1	
4289224	Türk & Hillinger GmbH	27/01/2022	4289224	22708367.2	German
4289637	Goodrich Corporation	09/06/2022	4289637	22461569.0	
4290058	Purem GmbH	09/05/2023	4290058	23172177.0	German
4290143	Pittway Sarl	08/06/2022	4290143	22177831.9	
4291251	Affibody AB	15/02/2022	4291251	22705782.5	
4292715	Alfdex AB	13/06/2022	4292715	22178677.5	
4292982	Akademia Gornicz-Hutnicza im. Stanislawa Staszica w Krakowie	07/12/2022	4292982	22211900.0	
4293124	DNAe Diagnostics Limited	07/05/2020	4293124	23185680.8	
4293245	KEB Automation KG	15/06/2022	4293245	22179272.4	German
4293246	Goodrich Corporation	13/06/2022	4293246	22461572.4	
4293271	L'AIR LIQUIDE, SOCIETE ANONYME POUR L'ETUDE ET L'EXPLOITATION DES PROCEDES GEORGES CLAUDE	15/05/2023	4293271	23173272.8	French
4294131	Signify Holding B.V.	08/06/2023	4294131	23178266.5	

4295040	Siemens Gamesa Renewable Energy A/S	21/03/2022	4295040	22716395.3	
4295050	KSB SE & Co. KGaA	21/02/2022	4295050	22706841.8	German
4296373	Arc Bio, LLC	04/10/2019	4296373	23189043.5	
4296429	ACO Ahlmann SE & Co. KG	21/06/2023	4296429	23180683.7	German
4296494	FPT Industrial S.p.A.	19/06/2023	4296494	23179990.9	
4297165	Newfrey LLC	22/06/2022	4297165	22180335.6	
4297490	Panasonic Intellectual Property Corporation of America	08/06/2018	4297490	23208131.5	
4297525	GUANGDONG OPPO MOBILE TELECOMMUNICATIONS CORP., LTD.	07/05/2021	4297525	21939699.1	
4297719	Dow Global Technologies LLC Dow Silicones Corporation Rohm and Haas Company	22/02/2022	4297719	22709128.7	
4297972	Basell Polyolefine GmbH Albert-Ludwigs-Universität Freiburg	26/01/2022	4297972	22702238.1	
4298004	Siemens Mobility GmbH	28/03/2022	4298004	22718885.1	German
4298016	Diehl Defence GmbH & Co. KG	22/02/2022	4298016	22707146.1	German
4298145	Huntsman Advanced Materials (Switzerland) GmbH	24/02/2022	4298145	22707460.6	
4298953	Amorepacific Corporation	20/06/2023	4298953	23180257.0	
4299143	Tsai, Yu-Lun	07/06/2023	4299143	23177852.3	
4299852	SIHGA GmbH	21/06/2023	4299852	23020306.9	German
4300205	FUJIFILM Business Innovation Corp.	23/03/2023	4300205	23163609.3	
4300336	HERE Global B.V.	28/06/2023	4300336	23182063.0	
4300751	Toshiba Energy Systems & Solutions Corporation	19/06/2023	4300751	23179971.9	
4300908	Lite-On Technology Corporation	31/03/2023	4300908	23165914.5	
4302061	SOPREMA	03/03/2022	4302061	22710056.7	French
4302114	IMMERSIVE AUDIO TECHNOLOGIES FRANCE	02/03/2022	4302114	22714117.3	French
4302574	Philip Morris Products, S.A.	24/02/2022	4302574	22712807.1	
4302649	King Slide Works Co., Ltd. King Slide Technology Co., Ltd.	06/12/2022	4302649	22211600.6	
4303051	Sumitomo Heavy Industries, LTD.	15/06/2023	4303051	23179413.2	
4303161	d'Anglade, Pierre-Michel	27/04/2022	4303161	23209156.1	
4303323	Narodowy Instytut Onkologii im. Marii Skłodowskiej-Curie Panstwowy Instytut Oddzial w Gliwicach Polskie Towarzystwo Endokrynologiczne Uniwersytet Medyczny w Lodzi WASKO Spółka Akcyjna (WASKO S.A.) Politechnika Slaska	05/07/2022	4303323	22460030.4	
4303494	Roller Grill International	26/06/2023	4303494	23181570.5	French
4303633	Commissariat à l'Energie Atomique et aux Energies Alternatives	03/07/2023	4303633	23183001.9	French
4303687	Lockheed Martin Corporation	06/07/2023	4303687	23183814.5	
4303923	Commissariat à l'Energie Atomique et aux Energies Alternatives	04/07/2023	4303923	23183362.5	French
4303962	TOYOTA JIDOSHA KABUSHIKI KAISHA	10/05/2023	4303962	23172510.2	
4304052	Sunon Electronics (Beihai) Co., Ltd.	19/01/2023	4304052	23152408.3	
4304078	mitsubishi electric corporation	01/03/2021	4304078	21928959.2	
4304861	PolyCine GmbH	07/03/2022	4304861	22710402.3	German
4305778	HELLA GmbH & Co. KGaA	02/07/2021	4305778	21742330.0	German
4305951	CLAAS Hungária Kft.	28/04/2023	4305951	23170527.8	German
4306214	F. Hoffmann-La Roche AG	14/07/2022	4306214	22184966.4	
4306469	Wittur Holding GmbH	05/06/2023	4306469	23177292.2	German
4306817	Inno-Spin LLC	13/10/2018	4306817	23201482.9	
4307853	Samsung Electronics Co., Ltd.	07/06/2023	4307853	23177954.7	
4307859	Samsung Electronics Co., Ltd.	10/07/2023	4307859	23184530.6	

4307914	Louids AG	18/03/2022	4307914	22717079.2	German
4308351	HOMAG Kantentechnik GmbH Leitz GmbH & Co. KG	15/03/2022	4308351	22714846.7	German
4308513	Philip Morris Products S.A.	17/03/2022	4308513	22716205.4	
4308537	Novamont S.p.A.	15/03/2022	4308537	22715568.6	
4308547	F. Hoffmann-La Roche AG	09/03/2022	4308547	22712368.4	
4308780	Roto Frank Fenster- und Türtechnologie GmbH	16/03/2022	4308780	22716013.2	German
4308826	VOLVO TRUCK CORPORATION	16/03/2021	4308826	21714821.2	
4308967	Valeo Schalter und Sensoren GmbH	14/03/2022	4308967	22714193.4	German
4309007	Paul Wurth S.A.	15/03/2022	4309007	22714861.6	
4309700	B. Braun Melsungen AG	12/07/2023	4309700	23185018.1	German
4309900	Ricoh Company, Ltd.	13/07/2023	4309900	23185308.6	
4309931	Gi.Anso 4x4 Club S.A.	18/07/2022	4309931	22185538.0	
4309933	Gi.Anso 4x4 Club S.A.	18/07/2022	4309933	22185542.2	
4311028	Weidmüller Interface GmbH & Co. KG	28/04/2023	4311028	23170753.0	German
4311031	Japan Aviation Electronics Industry, Limited	10/05/2023	4311031	23172534.2	
4311603	MJJC Manufacturing Co., Ltd.	05/01/2023	4311603	23150376.4	
4311731	Hyundai Mobis Co., Ltd.	15/12/2022	4311731	22213708.5	
4311986	SOLTIGUA S.R.L.	12/06/2023	4311986	23178782.1	
4312101	Willand (Beijing) Technology Co., Ltd.	03/07/2023	4312101	23183091.0	
4312487	Czajkowski Maszyny Sp. z o.o.	04/03/2022	4312487	22718774.7	
4313010	Szekeres, Thomas Jäger, Walter	14/03/2022	4313010	22712587.9	
4313230	ICU Medical International Limited	14/03/2022	4313230	22718757.2	
4313420	Roche Diagnostics International AG	22/03/2022	4313420	22716958.8	German
4313500	Autonox Holding GmbH	30/03/2022	4313500	22717722.7	German
4314106	Sika Technology AG	22/03/2022	4314106	22717141.0	German
4314219	Dow Global Technologies LLC Dow Silicones Corporation Rohm and Haas Company	09/03/2022	4314219	22712760.2	
4314719	Microsoft Technology Licensing, LLC	16/03/2022	4314719	22721151.3	
4314772	Max-Planck-Gesellschaft zur Förderung der Wissenschaften e.V.	30/03/2021	4314772	21716983.8	
4314964	KUKA Deutschland GmbH	28/03/2022	4314964	22719810.8	German
4314977	MEDINCELL S.A.	30/03/2022	4314977	22726385.2	
4315306	LEGO A/S	24/03/2022	4315306	22718598.0	
4315444	Merck Patent GmbH	30/03/2022	4315444	22714219.7	German
4318285	Google LLC	10/06/2019	4318285	23218535.5	
4319078	Panasonic Intellectual Property Corporation of America	16/04/2018	4319078	23216958.1	
4319095	MITSUBISHI ELECTRIC CORPORATION	02/08/2022	4319095	22306170.6	
4319712	The Procter & Gamble Company	15/06/2022	4319712	22743649.0	
4319905	Nobel, Peter	08/04/2022	4319905	22720729.7	
4319975	Plantics Holding B.V.	06/04/2022	4319975	22721294.1	
4319995	VOLVO TRUCK CORPORATION	07/04/2021	4319995	21718087.6	
4320006	VOLVO TRUCK CORPORATION	08/04/2021	4320006	21717444.0	
4320320	Zodiac Pool Care Europe	28/03/2022	4320320	22714587.7	
4320846	Microsoft Technology Licensing, LLC	17/03/2022	4320846	22714719.6	
4320947	QUALCOMM INCORPORATED	26/01/2022	4320947	22709526.2	
4321772	Able Human Motion, S.L.	10/08/2022	4321772	22382778.3	
4323229	Stellantis Auto SAS	23/02/2022	4323229	22708109.8	German
4323626	J. Ray McDermott, S.A.	05/04/2022	4323626	22718521.2	
4323747	Endress+Hauser Flowtec AG	21/03/2022	4323747	22717373.9	German
4323877	QUALCOMM INCORPORATED	11/03/2022	4323877	22714299.9	
4324573	XELLAR Technologies GmbH	09/08/2023	4324573	23190563.9	German
4324935	Life Technologies Corporation	17/08/2012	4324935	23207669.5	
4325315	Einride Autonomous Technologies AB	18/08/2022	4325315	22191042.5	

4325372	Continental Automotive Technologies GmbH	15/08/2022	4325372	22190338.8	
	Continental Automotive Systems, Inc.				
4326029	Samsung Electronics Co., Ltd.	25/04/2023	4326029	23169766.5	
4326106	JT International S.A.	20/04/2022	4326106	22723664.3	
4326178	Bonebridge AG	10/08/2021	4326178	21754900.5	German
4326393	JK-Holding GmbH	19/04/2022	4326393	22720048.2	German
4326586	ITT Italia S.r.l.	12/04/2022	4326586	22722255.1	
4326622	Mosca GmbH	14/04/2022	4326622	22723113.1	German
4326966	INVENTIO AG	07/04/2022	4326966	22721335.2	German
4327001	STERIVALVES S.R.L.	12/04/2022	4327001	22720069.8	
4327653	Mealfood Europe S.L.	20/04/2021	4327653	21728954.5	
4328038	BOBST MEX SA	23/08/2022	4328038	22191609.1	
4328869	Volvo Car Corporation	24/08/2022	4328869	22191993.9	
4330250	Boehringer Ingelheim International GmbH	28/04/2022	4330250	22727008.9	
4330523	AGCO International GmbH	08/03/2022	4330523	22710740.6	
4330587	Acery France SAS	22/04/2022	4330587	22734033.8	
4331348	Spiro, Daniel, S.	02/09/2022	4331348	22193649.5	
4331365	DIOSNA Dierks & Söhne GmbH	01/09/2022	4331365	22193572.9	German
4332040	OTIS Elevator Company	18/11/2022	4332040	22208422.0	
4334210	Safran Helicopter Engines	25/04/2022	4334210	22735524.5	French
4334213	Airbus Defence and Space SAS	23/08/2022	4334213	22773272.4	French
4334753	Commissariat à l'Energie Atomique et aux Energies Alternatives	03/05/2022	4334753	22727780.3	French
4335338	EDM-System GmbH	12/09/2022	4335338	22195186.6	German
4337043	JT International SA	09/05/2022	4337043	22728194.6	
4337706	Covestro Deutschland AG	09/05/2022	4337706	22727350.5	German
4337818	PFNonwovens Holding s.r.o. PFNonwovens Czech s.r.o.	13/05/2022	4337818	22743727.4	
4338255	VOLVO TRUCK CORPORATION	12/05/2021	4338255	21726079.3	
4338806	Zedel	31/08/2023	4338806	23194747.4	French
4338966	BOBST MEX SA	14/09/2022	4338966	22195673.3	
4339399	Capra GmbH	16/09/2022	4339399	22196249.1	German
4339708	CANON KABUSHIKI KAISHA	13/09/2023	4339708	23197077.3	
4341330	Plantics Holding B.V.	17/05/2022	4341330	22729221.6	
4341513	Wilhelm Layher Verwaltungs-GmbH	12/04/2022	4341513	22722438.3	German
4341584	Sew-Eurodrive GmbH & Co. KG	27/04/2022	4341584	22723548.8	German
4341651	Endress+Hauser Flowtec AG	20/04/2022	4341651	22724439.9	German
4342153	Cisco Technology, Inc.	19/05/2022	4342153	22729970.8	
4342186	Google LLC	01/08/2022	4342186	22761875.8	
4343140	Consiglio Nazionale delle Ricerche	21/09/2023	4343140	23198712.4	
4344529	Maschinenfabrik Bernard Krone GmbH & Co. KG	07/09/2023	4344529	23196004.8	German
4344534	Maschinenfabrik Bernard Krone GmbH & Co. KG	07/09/2023	4344534	23196007.1	German
4344595	Miele & Cie. KG	28/08/2023	4344595	23193689.9	German
4345358	ETEL S.A.	30/09/2022	4345358	22199078.1	
4346334	Guangdong Arcair Appliance Co., Ltd.	26/09/2023	4346334	23199709.9	
4347198	Koninklijke Philips N.V.	17/05/2022	4347198	22728936.0	
4347296	Stellantis Auto SAS	26/04/2022	4347296	22735531.0	French
4347323	Access-Ability	27/05/2022	4347323	22733198.0	French
4347356	VOLVO TRUCK CORPORATION	23/05/2022	4347356	22730214.8	
4347687	Covestro Deutschland AG	24/05/2022	4347687	22727206.9	
4347688	SABIC Global Technologies B.V.	30/05/2022	4347688	22731158.6	
4347879	10X Genomics, Inc.	02/06/2022	4347879	22738116.7	
4347940	SEB S.A.	23/05/2022	4347940	22730225.4	French
4348019	Safran Nacelles	30/05/2022	4348019	22734023.9	French
4348095	L'AIR LIQUIDE, SOCIETE ANONYME POUR L'ETUDE ET L'EXPLOITATION DES PROCEDES GEORGES CLAUDE	18/05/2022	4348095	22729578.9	French
4348771	LEMO SA	17/05/2022	4348771	22729570.6	

4348810	FIRA S.P.A.	24/05/2022	4348810	22732442.3	
4348993	Lumasia	24/05/2022	4348993	22732918.2	French
4349032	PSS Belgium NV	01/06/2022	4349032	22734488.4	
4349675	NISSAN MOTOR CO., LTD.	28/05/2021	4349675	21942155.9	
4350107	ASSA ABLOY Sicherheitstechnik GmbH	04/10/2023	4350107	23201594.1	German
4351743	IM DEVELOPMENT d.o.o.	09/06/2021	4351743	21732261.9	
4351911	Plastic Omnium Advanced Innovation and Research	07/06/2022	4351911	22732154.4	
4352300	Teijin Aramid B.V.	03/06/2022	4352300	22732490.2	
4352348	KERRACHE, Lahcene	07/06/2022	4352348	22734365.4	French
4352398	BRAWO SYSTEMS GmbH	16/08/2023	4352398	23758542.7	German
4352610	Google LLC	27/07/2022	4352610	22755057.1	
4352921	Signify Holding B.V.	03/06/2022	4352921	22734226.8	
4352964	Dolby Laboratories Licensing Corporation	01/06/2022	4352964	22731949.8	
4353140	Phoenix-Micron, Inc.	09/10/2023	4353140	23202474.5	
4353577	GAZELLE WIND POWER LIMITED	10/06/2022	4353577	22754909.4	
4354104	Hitachi Energy Ltd	13/10/2022	4354104	22201328.6	
4354154	Eve Energy Co., Ltd.	10/04/2023	4354154	23167229.6	
4355041	NISSAN MOTOR CO., LTD. RENAULT S.A.S.	08/06/2021	4355041	21944439.5	
4355201	Medtronic, Inc.	17/06/2022	4355201	22743988.2	
4355942	Friedrich-Alexander-Universität Erlangen-Nürnberg, Körperschaft des öffentlichen Rechts	02/08/2022	4355942	22761974.9	German
4356011	Samson Aktiengesellschaft	13/06/2022	4356011	22731261.8	German
4356564	Microsoft Technology Licensing, LLC	19/05/2022	4356564	22730650.3	
4357040	Variobend-ASCO GmbH	19/10/2022	4357040	22202600.7	German
4358015	Robert Bosch GmbH	17/10/2022	4358015	22201999.4	
4359499	Unilever Global IP Limited	20/06/2022	4359499	22734949.5	
4360546	Ectosense NV	11/07/2018	4360546	23217439.1	
4360946	TOYOTA JIDOSHA KABUSHIKI KAISHA	24/10/2022	4360946	22203238.5	
4361010	Yamaha Hatsudoki Kabushiki Kaisha	26/09/2023	4361010	23199794.1	
4361651	Preh GmbH	28/10/2022	4361651	22204406.7	German
4363533	TotalEnergies OneTech	01/07/2022	4363533	22751127.6	French
4364040	Siemens Healthineers International AG	17/06/2022	4364040	22741915.7	
4364280	Ampere SAS Whylot	24/06/2022	4364280	22741165.9	French
4364400	Akzenta Paneele + Profile GmbH	29/06/2022	4364400	22743763.9	German
4364720	Wella Germany GmbH	07/11/2022	4364720	22205903.2	
4365189	F. Hoffmann-La Roche AG	08/07/2008	4365189	24160370.3	
4366658	Lüleci, Hüseyin	08/07/2022	4366658	22803088.8	
4367085	Linde GmbH	06/07/2022	4367085	22744723.2	German
4367445	Leister Technologies AG	06/09/2022	4367445	22773507.3	German
4367851	Telefonaktiebolaget LM Ericsson (publ)	01/07/2022	4367851	22747272.7	
4368433	Manitowoc Crane Group France SAS	08/09/2023	4368433	23196125.1	German
4368471	SpeedInnov	13/11/2023	4368471	23209332.8	French
4369390	Huawei Technologies Co., Ltd.	14/11/2022	4369390	22207205.0	
4369428	FUJIFILM Corporation	07/08/2023	4369428	23189932.9	
4369977	Nike Innovate C.V.	05/01/2022	4369977	22701101.2	
4370286	Schaeffler Technologies AG & Co. KG	15/07/2021	4370286	21745758.9	
4370326	Saint-Gobain Glass France	10/06/2022	4370326	22733389.5	German
4370575	Hilti Aktiengesellschaft	06/07/2022	4370575	22744448.6	
4370576	Hilti Aktiengesellschaft	06/07/2022	4370576	22744449.4	
4372927	Yazaki Corporation	13/11/2023	4372927	23209492.0	
4373567	Koninklijke Philips N.V.	21/07/2022	4373567	22751741.4	
4373685	Sima Investment AG	30/06/2022	4373685	22737639.9	German
4374030	Hilti Aktiengesellschaft	18/07/2022	4374030	22743496.6	German
4374692	Protech S.r.l.	16/11/2023	4374692	23210411.7	
4377439	Mosa Meat B.V.	29/07/2022	4377439	22748493.8	
4377585	STABILUS GmbH	26/07/2022	4377585	22755180.1	

4378008	Kabushiki Kaisha Toshiba	20/03/2023	4378008	23715970.2	
4378908	Österreichische Vialit- Gesellschaft m.b.H.	02/12/2022	4378908	22211024.9	German
4379386	F. Hoffmann-La Roche AG	29/11/2022	4379386	22210333.5	
4380345	AI.Land GmbH	03/08/2022	4380345	22753998.8	German
4382698	Fluidra Industry France	05/12/2022	4382698	22383189.2	
4384775	Vallourec Tubes France	10/08/2022	4384775	22761241.3	French
4386712	NISSAN MOTOR CO., LTD. Renault s.a.s	11/08/2021	4386712	21953025.0	
4387642	Mann Kevehazi, Laura	16/12/2022	4387642	22840082.6	
4387806	Bystronic Laser AG	18/08/2022	4387806	22765560.2	
4389288	ELOY BETON	20/12/2023	4389288	23218457.2	French
4389465	Sumitomo Rubber Industries, Ltd.	20/11/2023	4389465	23210936.3	
4393391	Biosense Webster (Israel) Ltd.	22/12/2023	4393391	23219896.0	
4394391	THALES	05/12/2023	4394391	23214424.6	French
4395978	Safran Nacelles	29/08/2022	4395978	22773290.6	French
4397073	International Business Machines Corporation	27/07/2022	4397073	22758175.8	
4397736	Enersource Technology Corp.	30/03/2023	4397736	23165377.5	
4398562	Zhuhai Pantum Electronics Co., Ltd.	26/12/2023	4398562	23220207.7	
4400161	Terapet SA	12/01/2023	4400161	23151429.0	
4402013	Caterpillar Inc.	22/11/2022	4402013	22843950.1	
4404547	AVOXI, Inc.	16/01/2024	4404547	24152155.8	
4405539	Dakota Group S.a.s. di Zeno Cipriani & C.	12/09/2022	4405539	22777717.4	
4405566	Saudi Arabian Oil Company	27/11/2022	4405566	22840445.5	
4405720	Koninklijke Philips N.V.	15/09/2022	4405720	22773738.4	
4413285	ELBI International S.p.A.	06/10/2022	4413285	22790067.7	
4415304	Multiverse Computing S.L.	07/02/2023	4415304	23382108.1	
4415667	Fibertex Personal Care A/S	02/03/2023	4415667	23707956.1	
4416445	thyssenkrupp Polysius GmbH thyssenkrupp AG	30/03/2023	4416445	23716800.0	German
4416753	Univerzita Palackého v Olomouci Fyzikální ústav AV CR, v.v.i.	15/10/2021	4416753	21819717.6	
4418971	Versuni Holding B.V.	30/11/2023	4418971	23814218.6	
4419977	International Business Machines Corporation	13/10/2022	4419977	22801460.1	
4421286	Ningbo Sunfree Motor Technology Company Limited	28/03/2023	4421286	23164740.5	
4421879	Zhejiang Jinko Solar Co., Ltd.	04/08/2023	4421879	23189628.3	
4423466	Versuni Holding B.V.	17/01/2023	4423466	23701078.0	
4425029	Danfoss A/S	28/02/2023	4425029	23159036.5	
4427175	Motorola Solutions, Inc.	16/11/2022	4427175	22826267.1	
4427826	Bruder Spielwaren GmbH + Co. KG	15/12/2023	4427826	23217264.3	German
4428819	Axis AB	09/03/2023	4428819	23160912.4	
4432137	MD Elektronik GmbH	13/03/2023	4432137	23161530.3	German
4432546	CAIRDAC	17/03/2023	4432546	23315053.1	French
4433926	HARTL, Friedrich	16/11/2021	4433926	21811233.2	German
4437443	Motorola Solutions, Inc.	07/12/2022	4437443	22847189.2	
4437913	Markmann Holding GmbH Valenzuela Holding GmbH	29/03/2023	4437913	23165203.3	
4444551	LEONHARD KURZ Stiftung & Co. KG	28/11/2022	4444551	22822941.5	German
4446556	ROMA KG	14/04/2023	4446556	23167982.0	German
4446684	National Tsing Hua University	02/06/2023	4446684	23176961.3	
4452689	Mercedes-Benz Group AG	28/02/2023	4452689	23709328.1	German
4453120	Lohmann GmbH & Co. KG	19/12/2022	4453120	22840633.6	German
4455907	Axis AB	24/04/2023	4455907	23169423.3	
4460643	Zumtobel Lighting GmbH	06/03/2024	4460643	24710053.0	German
4460733	Samson Aktiengesellschaft	21/02/2024	4460733	24707152.5	German
4466561	Machine Shop (Holdings) Limited	12/06/2023	4466561	23733415.6	
4467944	Bruker Switzerland AG	24/05/2023	4467944	23175204.9	
4472479	Miele & Cie. KG	19/06/2023	4472479	23732981.8	German

Refused - Section 31(1)

S20220179	Int. Cl. (2025.01) F03G 3/00 . Counterbalance gravity energy collection.. BARRY CALLAN
S20230535	Int. Cl. (2025.01) G01N 29/00 . ACOUSTICS-BASED METHOD FOR ACCURATELY MEASURING STEAM DRYNESS WITHIN PIPELINE. SHENYANG UNIVERSITY OF TECHNOLOGY
S20240279	A multi-mode geomagnetic vehicle detection system, method, device, and medium. XI'AN UNIVERSITY OF ARCHITECTURE AND TECHNOLOGY
S20240345	EFFICIENT CPU PROTECTION DEVICE FOR INCREASING HEAT DISSIPATION CONTACT SURFACE. NANCHANG INSTITUTE OF TECHNOLOGY; XIUMEI TIAN

Applications Lapsed Through Non-Payment of Renewal Fees Section (35) 1

S20220080	seesaw phototropic energy generator. KARL MC CAMLEY
-----------	---

Patents Lapsed Through Non-Payment of Renewal Fees

Please note that due to the high volume of lapsed patents (mostly European Patents designating the State which are not subsequently validated), details of these patents are no longer included in the printed version of the Journal. Instead, they are available to view on the online version of the journal at <https://www.ipoi.gov.ie/en/ip-search-tools/search-the-journal/>

Request for Grant of Supplementary Protection Certificate

The name and address of the requestor follow the number allocated to the request. The date in brackets following the name and address is the date of receipt of the request. The Patent number is that under which the product in respect of which a certificate is sought is, allegedly, protected. Market Authorisation references in respect of the product concerned are also shown.

- 2025006** AEGIS THERAPEUTICS, LLC, 3430 Carmel Mountain Road Suite 300, San Diego CA 92121, United States of America. ARS PHARMACEUTICALS OPERATIONS, INC., 11682 El Camino Real Suite 120, San Diego CA 92130, United States of America (11 February 2025)
Patent No: 3678649; INTRANASAL EPINEPHRINE FORMULATIONS AND METHODS FOR THE TREATMENT OF DISEASE
Product: 'Combination of epinephrine and dodecylmaltoside, in all forms protected by the basic patent'
Market Authorisation: Ireland EU/1/24/1846, 22/08/2024
European Union EU/1/24/1846, 22/08/2024
- 2025007** ASTEX THERAPEUTICS LIMITED, 436 Cambridge Science Park Milton Road, Cambridge, Cambridgeshire CB4 0QA, United Kingdom (14 February 2025)
Patent No: 2563775; PYRAZOLYL QUINOXALINE KINASE INHIBITORS
Product: Erdafitinib or a pharmaceutically acceptable salt thereof or a solvate thereof.
Market Authorisation: Ireland EU/1/24/1841, 23/08/2024
European Union EU/1/24/1841, 23/08/2024
- 2025008** THE BOARD OF TRUSTEES OF THE LELAND STANFORD JUNIOR UNIVERSITY, Office of the General Counsel, Building 170 3rd Floor, Main Quad, PO Box 20386, Stanford, CA 94305-2038, United States of America (18 February 2025)
Patent No: 2934514; TRANSTHYRETIN STABILIZERS AND THEIR USE FOR INHIBITING TRANSTHYRETIN AMYLOIDOSIS AND PROTEIN-PROTEIN INTERACTIONS
Product: Acoramidis, and/or a pharmaceutically acceptable salt thereof, especially acoramidis hydrochloride
Market Authorisation: Ireland EU/1/24/1906, 10/02/2025
European Union EU/1/24/1906, 10/02/2025
-

2025009 KITE PHARMA, INC., 2400 Broadway, Santa Monica CA 90404, United States of America. THE UNITED STATES OF AMERICA, AS REPRESENTED BY THE SECRETARY, DEPARTMENT OF HEALTH AND HUMAN SERVICES, National Institutes of Health, 6701 Rockledge Drive, Suite 700, MSC 7788, Bethesda, Maryland 20892-7788, United States of America
(20 February 2025)
Patent No: 3102609; METHODS FOR PRODUCING AUTOLOGOUS T CELLS USEFUL TO TREAT B CELL MALIGNANCIES AND OTHER CANCERS AND COMPOSITIONS THEREOF
Product: autologous anti-CD19-transduced CD3+ cells (brexucabtagene autoleucl)
Market Authorisation: Ireland EU/1/20/1492/001, 14/12/2020
European Union EU/1/20/1492/001, 14/12/2020

Supplementary Protection Certificates Lapsed

The name and address of the grantee follows the number allocated to the request for the grant of a Certificate; this number applies also to the granted certificate. The date in brackets following the name and address is the date of grant of the certificate. The number of the basic patent and the title of the invention are followed by the name of the product for which the certificate was granted. Marketing authorisation references in respect of the product concerned are also shown, followed by the date on which the certificate was lapsed.

2014041 GALDERMA PHARMA S.A., World Trade Center, Avenue Gratta-Paille 1, 1000 Lausanne 30 Grey, Switzerland
(23/11/2016)
Patent No: 1631293; COMPOUNDS, FORMULATIONS, AND METHODS FOR TREATING OR PREVENTING ROSACEA
Product: Brimonidine and pharmaceutically acceptable salts thereof
Market Authorisation: Ireland EU/1/13/904, 21/02/2014
European Union EU/1/13/904, 21/02/2014
SPC No. 2014/041 lapsed due to non-payment of SPC Renewal Fee in respect of year 21.

Proceedings under Section 37 of the Patents Act, 1992

Restoration Order dated 7th February 2025, was made restoring the Patent mentioned below

3439985 Mauser-Werke GmbH
PALLET CONTAINER

Restoration Order dated 18th February 2025, was made restoring the Patent mentioned below

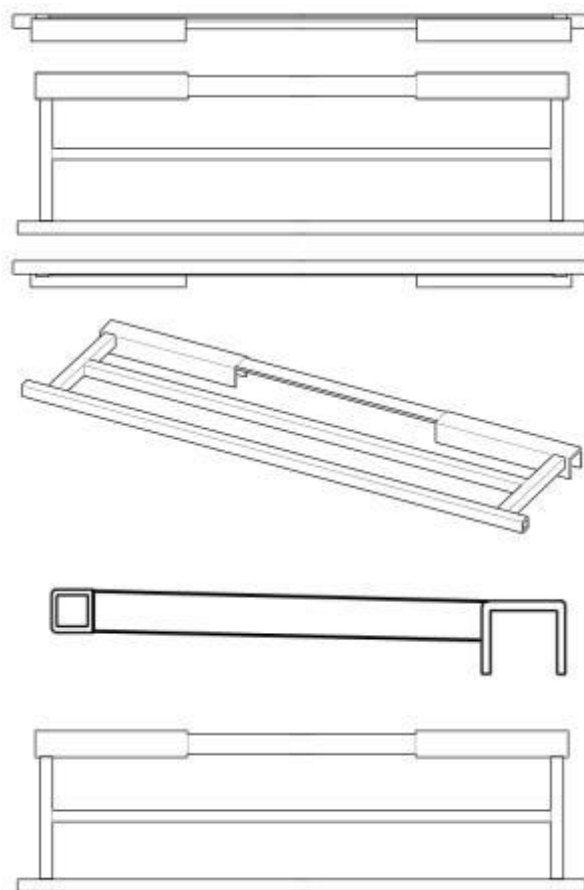
2019/0063 KEVIN CAMPION, WILLIAM CAMPION, LIAM CAMPION
Foundation

Designs Registered Under The Industrial Designs Act, 2001

23662 25.04 Safestand Limited, 597 Atlas Road, Wembley HA9 0JH, United Kingdom.
Address for service is c/o FRKelly
Waterways House, Grand Canal Quay, Dublin D02 PD39, Ireland.

Date of Registration: 24 January 2025.

Access platforms for building industry(- parts of)
United Kingdom-12/08/2024



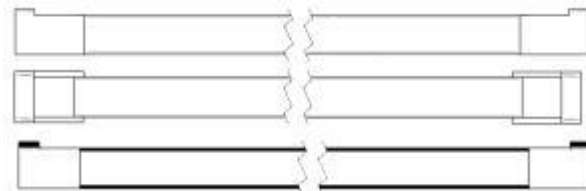
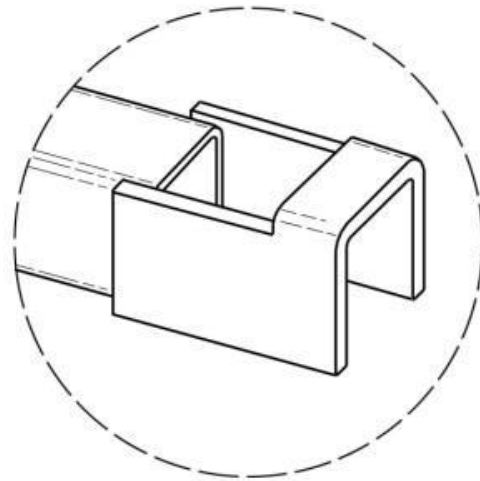
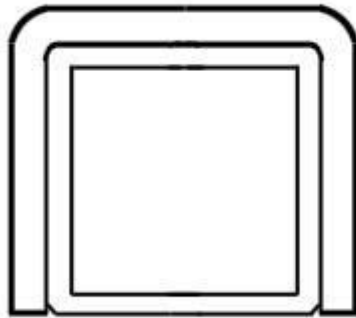
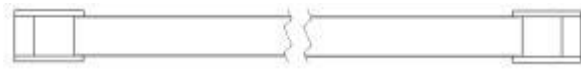
23663

25.04

Safestand Limited, 597 Atlas Road, Wembley HA9 0JH, United Kingdom.
Address for service is c/o FRKelly
Waterways House, Grand Canal Quay, Dublin D02 PD39, Ireland.

Date of Registration: 24 January 2025.

Access platforms for building industry (- parts of)
United Kingdom-12/08/2024



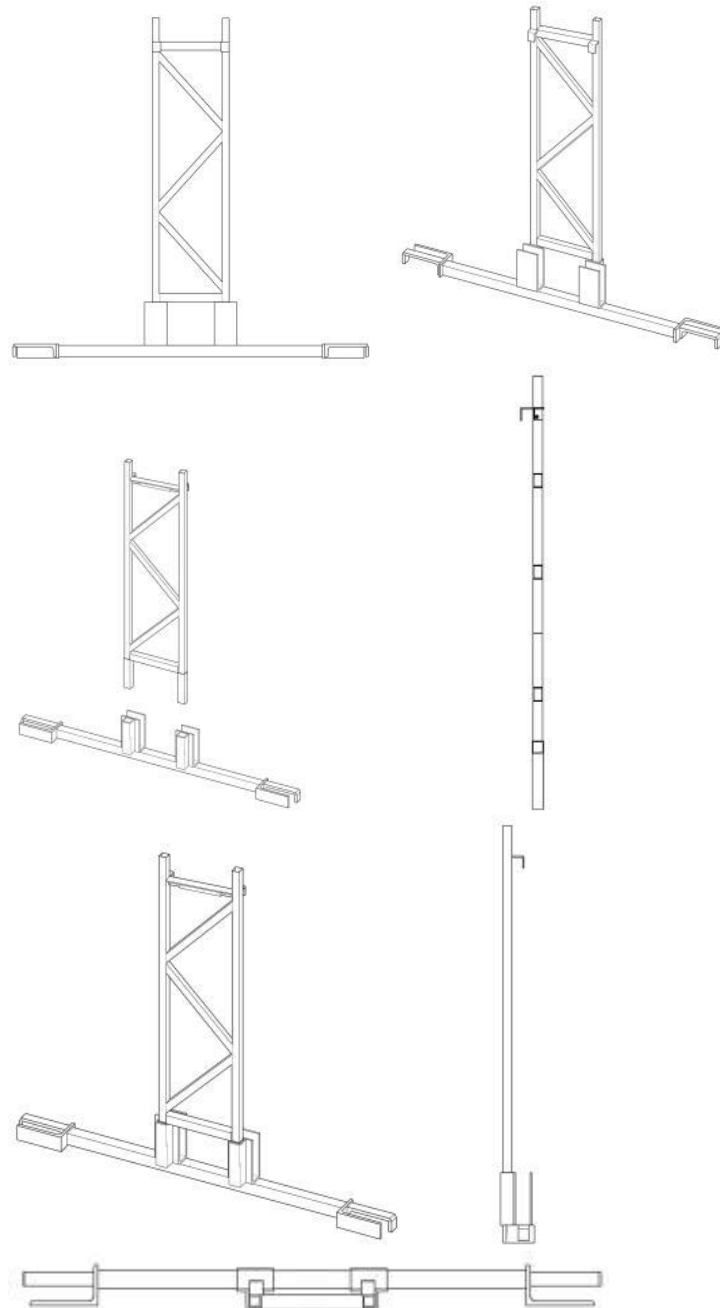
23664

25.04

Safestand Limited, 597 Atlas Road, Wembley HA9 0JH, United Kingdom.
Address for service is c/o FRKelly
Waterways House, Grand Canal Quay, Dublin D02 PD39, Ireland.

Date of Registration: 24 January 2025.

Access platforms for building industry (- parts of)
United Kingdom-12/08/2024



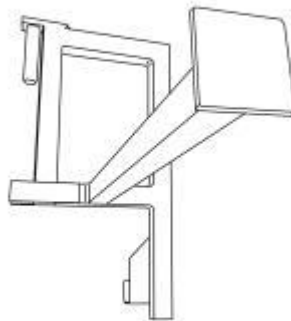
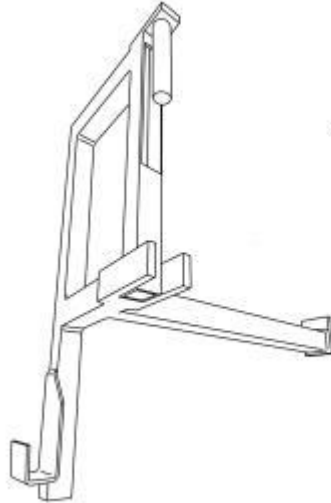
23665

25.04

Safestand Limited, 597 Atlas Road, Wembley HA9 0JH, United Kingdom.
Address for service is c/o FRKelly
Waterways House, Grand Canal Quay, Dublin D02 PD39, Ireland.

Date of Registration: 24 January 2025.

Access platforms for building industry (- parts of)
United Kingdom-12/08/2024



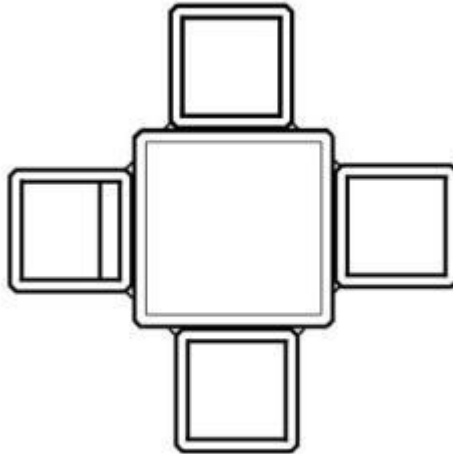
23666

25.04

Safestand Limited, 597 Atlas Road, Wembley HA9 0JH, United Kingdom.
Address for service is c/o FRKelly
Waterways House, Grand Canal Quay, Dublin D02 PD39, Ireland.

Date of Registration: 24 January 2025.

Access platforms for building industry (- parts of)
United Kingdom-12/08/2024



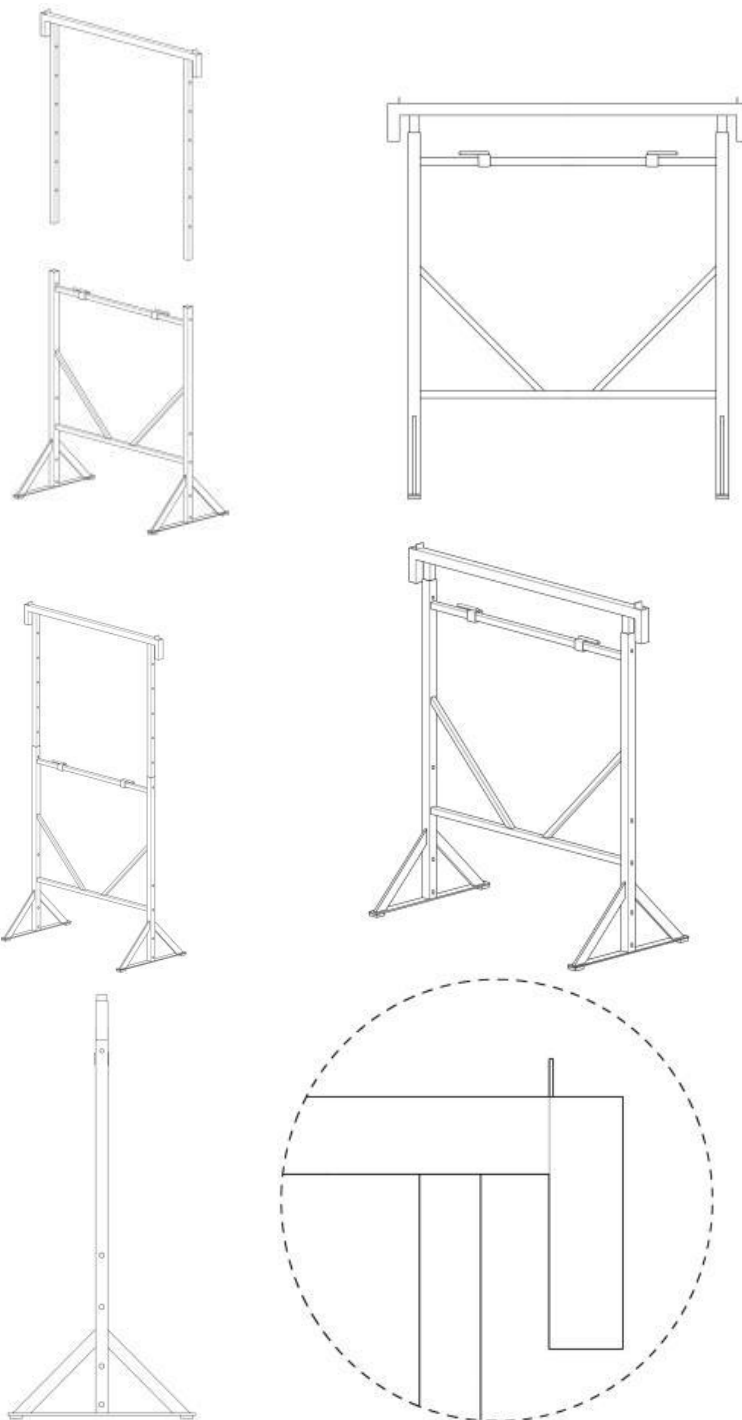
23667

25.04

Safestand Limited, 597 Atlas Road, Wembley HA9 0JH, United Kingdom.
Address for service is c/o FRKelly
Waterways House, Grand Canal Quay, Dublin D02 PD39, Ireland.

Date of Registration: 24 January 2025.

Access platforms for building industry (- parts of)
United Kingdom-12/08/2024



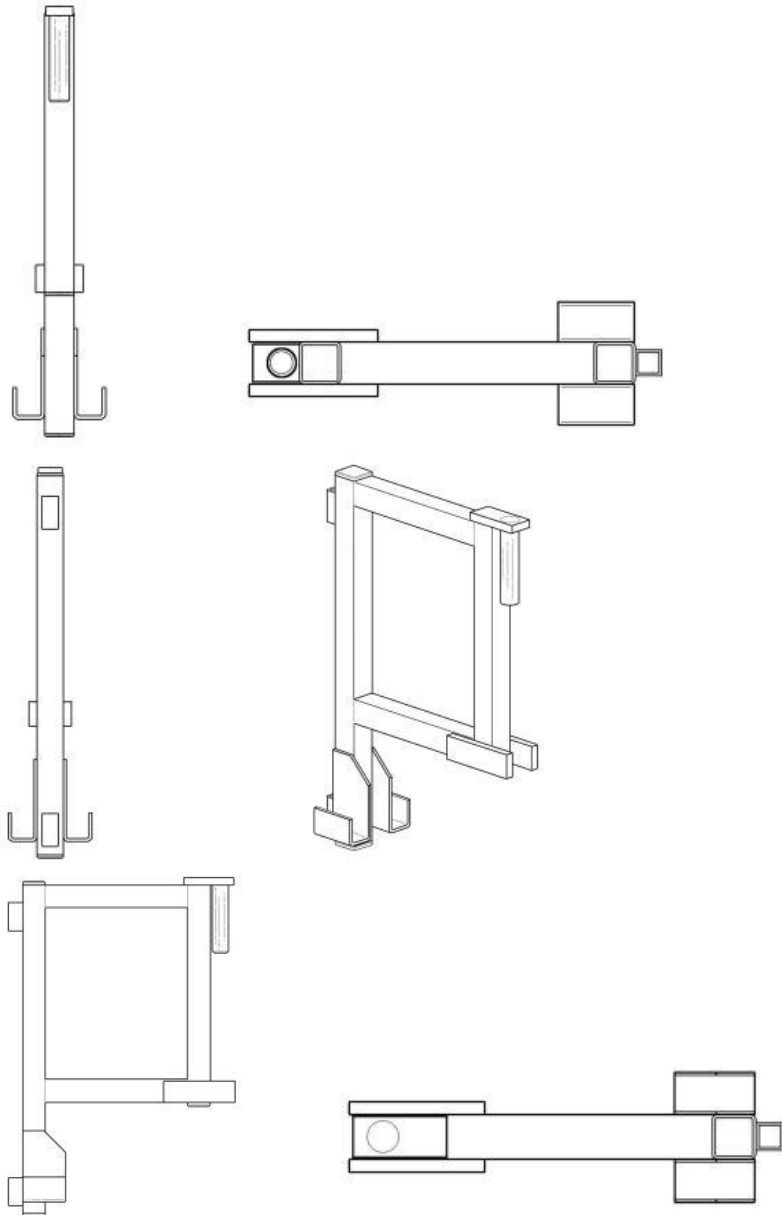
23668

25.04

Safestand Limited, 597 Atlas Road, Wembley HA9 0JH, United Kingdom.
Address for service is c/o FRKelly
Waterways House, Grand Canal Quay, Dublin D02 PD39, Ireland.

Date of Registration: 24 January 2025.

Access platforms for building industry (- parts of)
United Kingdom-12/08/2024



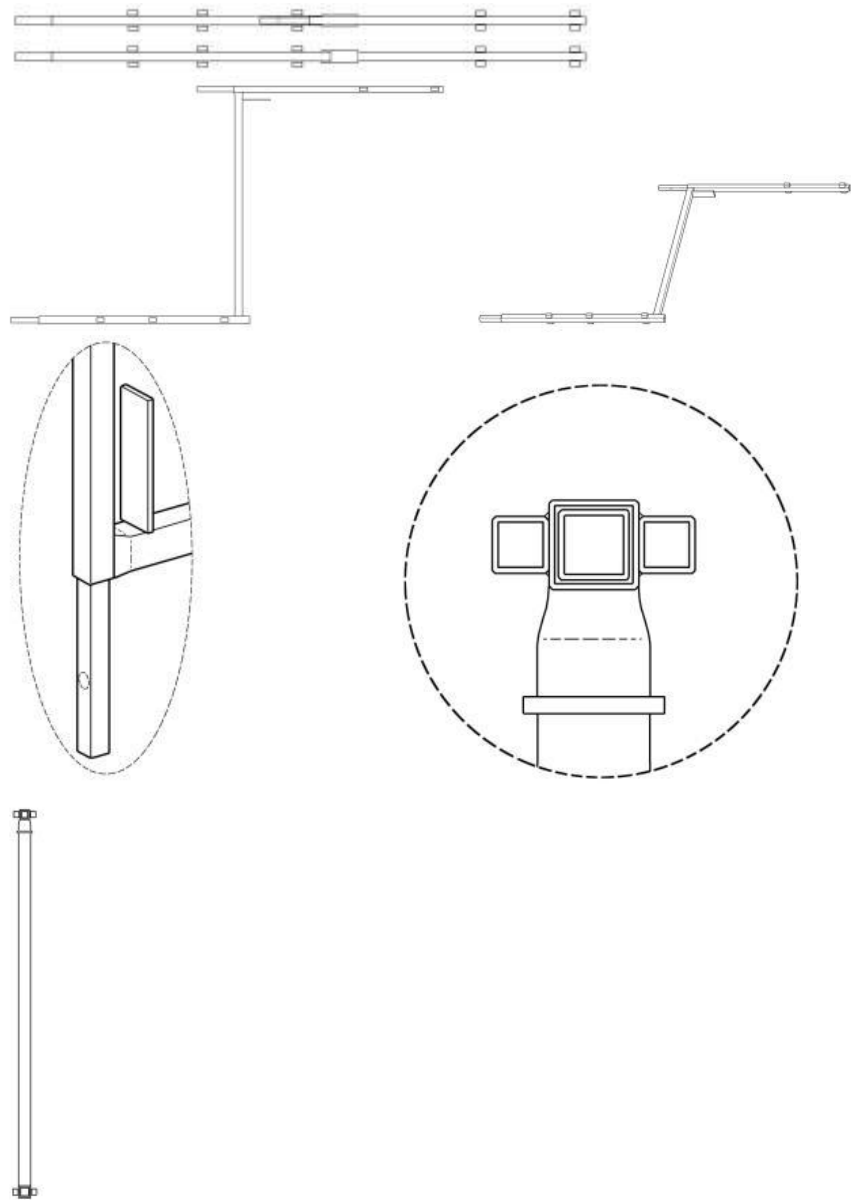
23669

25.04

Safestand Limited, 597 Atlas Road, Wembley HA9 0JH, United Kingdom.
Address for service is c/o FRKelly
Waterways House, Grand Canal Quay, Dublin D02 PD39, Ireland.

Date of Registration: 24 January 2025.

Access platforms for building industry (- parts of)
United Kingdom-12/08/2024



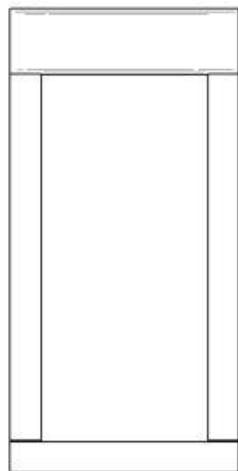
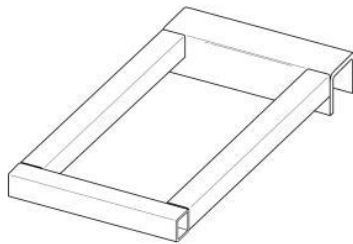
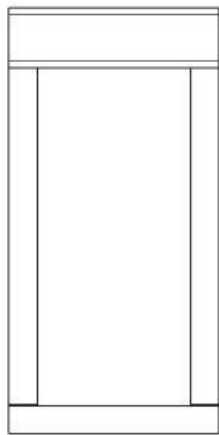
23670

25.04

Safestand Limited, 597 Atlas Road, Wembley HA9 0JH, United Kingdom.
Address for service is c/o FRKelly
Waterways House, Grand Canal Quay, Dublin D02 PD39, Ireland.

Date of Registration: 24 January 2025.

Access platforms for building industry (- parts of)
United Kingdom-12/08/2024



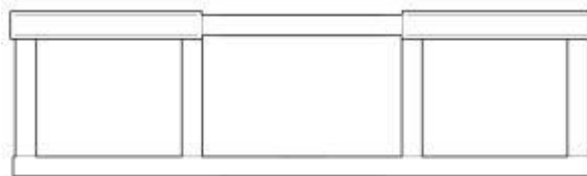
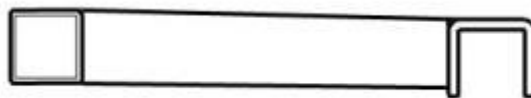
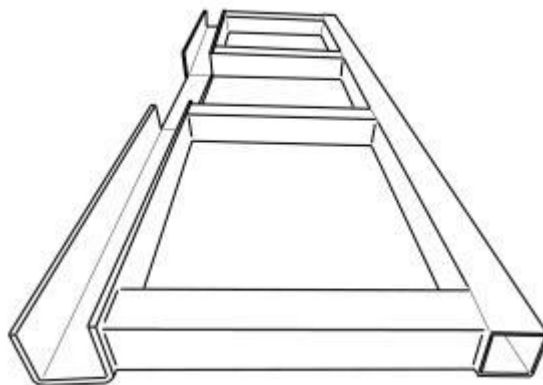
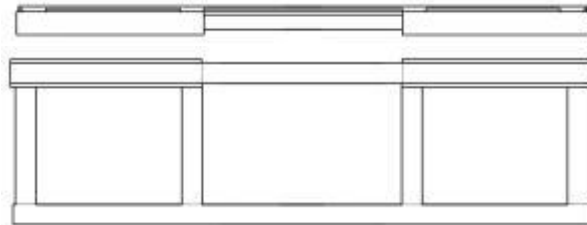
23671

25.04

Safestand Limited, 597 Atlas Road, Wembley HA9 0JH, United Kingdom.
Address for service is c/o FRKelly
Waterways House, Grand Canal Quay, Dublin D02 PD39, Ireland.

Date of Registration: 24 January 2025.

Access platforms for building industry (- parts of)
United Kingdom-12/08/2024



Renewal of Designs Registered under the Industrial Designs Act, 2001

Registrations renewed for 2nd period of 5 Years

Design number	Class
22975	07.03
23025	29.02

Registrations renewed for 4th period of 5 Years

Design number	Class
21264	09-09
21265	09-09
21266	09-09
21267	09-09

Designs Registered Under The Industrial Designs Act 2001, which have expired due to non-renewal

Design number	Class
21840	30-99
21843	30-99
23001	11.02
23063	11.01
23090	11.01

Iris um Oifig Maoine Intleachtúla na hÉireann
Journal of the Intellectual Property Office of Ireland
Cuid II
Trádmharcanna

No. 2537**Wednesday, 12 March, 2025**

NOTE: The office does not guarantee the accuracy of its publications nor undertake any responsibility for errors or omissions or their consequences.

In this Part of the Journal, unless the context otherwise requires, a reference to the 1963 Act means the Trade Marks Act, 1963, a reference to the 1963 Rules means the Trade Marks Rules, 1963, a reference to the 1996 Act means the Trade Marks Act, 1996 and a reference to the 1996 Rules means the Trade Marks Rules, 1996.

Application for Registration of marks published under Section 43(1) of the 1996 Act following acceptance

Notice is hereby given that Applications for the Registration of the undermentioned trade marks have been accepted.

Any person who desires to oppose the registration of these trade marks may within three months from the date of this Journal give notice to the Controller, in accordance with the provisions of Rule 18.

It should be noted that under the provisions of Rule 63(2) no extension of the opposition period is allowed for lodging opposition under Rule 18.

It is desirable before lodging formal opposition that a communication should be addressed to the Applicant affording him an opportunity to withdraw his application for registration. In this way cost of opposition proceedings may be avoided.



271994 06 December 2024

- Class 5. Dietary supplements.
Class 32. Functional water-based beverages.

David Saunders, 79 The Green, Beaumont Woods, Dublin D09PF89 D09PF89, Ireland. Address for service is c/o David Saunders, 79 The Green, Beaumont Woods, Dublin D09PF89 D09PF89, Ireland.

The mark in use is/will be in the colour(s) White and Turquoise

Santa Dash

271995 05 December 2024

- Class 41. Sporting activities; Sporting services; Sporting event organization; Organising sporting events; Sporting and recreational activities; Organising of sporting events, competitions and sporting tournaments; Sporting and cultural activities; Cultural and sporting activities; Organising of sporting activities and of sporting competitions; Organisation of sporting competitions; Organisation of sporting events; Organising of sporting events; Arranging of sporting events; Sporting competitions (Arranging of -); Sporting competitions (Organising of -); Entertainment, sporting and cultural activities; Provision and management of sporting events; Organising of sporting activities or competitions; Organising of sporting activities and competitions; Organisation

of sporting activities and competitions; Organization of sporting events and competitions; Organisation of sporting events and competitions; Entertainment services relating to sporting events; Organisation of sporting competitions and sports events; Entertainment services in the nature of sporting events.

Eamonn O'Neill, 2 Woodale Road, Rush, Dublin K56WP21, Ireland. Address for service is c/o Eamonn O'Neill, 2 Woodale Road, Rush, Dublin K56WP21, Ireland.

Jewel Lifts

271996 06 December 2024

Class 14. Jewellery.

Rosemarie McGrath, Ballyvelly House, Tralee V92XF2R, Ireland. Address for service is c/o Rosemarie McGrath, Ballyvelly House, Tralee V92XF2R, Ireland.

The mark in use is/will be in the colour(s) Black

O CONNOR AUTOTOURS

271997 09 December 2024

Class 39. Coach, boat, rail tours and travel arrangements.

O' Connor Autotours Ltd, 100 New St, Killarney V93AE06, Ireland. Address for service is c/o O' Connor Autotours Ltd, C/O Thomas Finbarr O Connor, 100 New Street, Killarney Kerry V93AE06, Ireland.

WILDKERRY DAYTOURS

271998 09 December 2024

Class 39. Coach, boat, rail tours and travel arrangements.

O' Connor Autotours Ltd, 100 New St, Killarney V93AE06, Ireland. Address for service is c/o O' Connor Autotours Ltd, C/O Thomas Finbarr O Connor, 100 New Street, Killarney Kerry V93AE06, Ireland.

WILDKERRY RAILTOURS

271999 09 December 2024

Class 39. Coach, boat, rail tours and travel arrangements.

O' Connor Autotours Ltd, 100 New St, Killarney V93AE06, Ireland. Address for service is c/o O' Connor Autotours Ltd, C/O Thomas Finbarr O Connor, 100 New Street, Killarney Kerry V93AE06, Ireland.



272000 19 July 2024

Class 37. Installation, cleaning, repair and maintenance services in the field of undercarriage systems for handling machines and for vehicles, undercarriage systems for handling machines; installation and repair services in the field of forklifts, machinery tracks, track systems and replacement parts for vehicles; servicing and repair of mechanical access platforms; installation, cleaning, repair and maintenance relating to forklift trucks and access platform handling equipment; vehicle repair and maintenance; installation, cleaning, repair and maintenance relating to road sweeper trucks and vans; providing information relating to the repair or maintenance of vehicle washing installations.

Class 39. Rental services related to vehicles, transportation and storage; rental of means of transportation; rental of forklift trucks; leasing of vehicles, apparatus for locomotion by land, air or water, fork lift trucks, trucks, and parts thereof; all the aforesaid services also provided via the internet;

Briggs Equipment UK Limited, Orbital 7, Orbital Way, Cannock, Staffordshire WS11 8XW, United Kingdom. Address for service is c/o Fieldfisher LLP, 45 Mespil Road, Dublin 4, Dublin 4 D04 W2F1, Ireland.

Pingme \par PingMe

Application is for a Series of 2 Trade Marks.

272001 05 December 2024

Class 36. Financial services; banking services; personal banking services; monetary services; provision of banking services via the Internet; money transmission; bill payment services; payment processing and payment services; electronic banking and funds transfer services; electronic payment services; providing electronic mobile payment services for others; payment processing services; consultancy, advisory and information services to all of the aforesaid services.

The Members for the time being of the Banking and Payments Federation Ireland, Third Floor, One Molesworth Street, Dublin 2, D02 RF29, Ireland. Address for service is c/o FRKelly, Waterways House, Grand Canal Quay, Dublin D02 PD39, Ireland.

ProCirc

272002 10 December 2024

Class 7. Pumps; Pumps for heating installations; Heat pumps [parts of machines]; Electric pumps; Fluid pumps; Shower pumps; parts and fittings for the aforesaid goods.

Sanbra Fyffe Limited, Instantor Works, Santry Avenue, Dublin 9, Ireland. Address for service is c/o FRKelly, Waterways House, Grand Canal Quay, Dublin D02 PD39, Ireland.



Application is for a Series of 3 Trade Marks.

272003 06 December 2024

Class 29. Cream cheese; cream cheese products; natural cream cheese; cream cheese blended with sweet pepper and chilli; cream cheese blended with garlic and herbs; cream cheese blended with flavourings including salt, pepper, sugar, herbs,

spices, fruit, vegetables or other flavourings.

ORNUA Co-operative Limited, Grattan House, Lower Mount Street, Dublin 2, Ireland. Address for service is c/o TOMKINS & CO., 5 Dartmouth Road, Dublin 6, Ireland.

The mark in use is/will be in the colour(s) The first mark in the series in use is/will be in the colours gold, green, blue and white. The second mark in the series in use is/will be in the colours gold, green, light green and white. The third mark in the series in use is/will be in the colours gold, green, red and white.

Honor & Bloom

272004 05 December 2024

- Class 3. Candles for aromatherapy and personal use, including scented and decorative candles. Essential oils, aromatherapy sprays, diffusers, and room fragrances. Skincare products, including lotions, creams, moisturisers, facial oils, and soaps. Bath and body products, such as bath salts, scrubs, and shower gels. Hair care products and wellness-related personal care items. Fragrance products, including perfumes, colognes, and scented sprays.
- Class 9. Downloadable e-books, journals, guides, workbooks, templates, and resources in the fields of self-help, self-discovery, mental wellness, personal development, and wellness. Downloadable audio and video recordings,

webinars, podcasts, and instructional materials related to personal growth, mental health, and self-discovery. Mobile applications, downloadable software, and interactive tools for self-help, personal development, mental wellness, wellness, and educational purposes. Downloadable templates for planners, calendars, goal-setting materials, and productivity tools. Downloadable digital graphics, artwork, wallpapers, and design templates for personal or commercial use.

- Class 16. Printed journals, guided journals, planners, agendas, diaries, workbooks, notebooks, and goal-setting materials in the fields of self-help, personal development, mental wellness, and education. Printed books, instructional materials, worksheets, templates, and training manuals. Printed posters, calendars, stationery, event programmes, brochures, and promotional materials. Cards, including greeting cards, postcards, motivational cards, and affirmation decks. Printed wall art, prints, and decorative art pieces. Instructional and educational printed materials for workshops, seminars, and events. Customisable printed designs, templates, and artistic prints for personal or commercial use.
- Class 21. Mugs, travel mugs, and drinkware made of ceramic, glass, or stainless steel. Thermo flasks, water bottles, insulated drinkware, and decorative drinkware for personal use. Kitchenware, containers for household use, decorative vases, and holders

- for candles or essential oils. Decorative home goods, including trays, coasters, and jars.
- Class 25. Clothing, namely T-shirts, hoodies, sweatshirts, jackets, tracksuits, casual apparel, and activewear. Headwear, including hats, caps, and visors. Leisurewear, loungewear, and sportswear for adults and children. Accessories, namely socks, scarves, gloves, and belts. Footwear, including casual shoes, slippers, and sandals. Customisable clothing and accessories for personal or commercial branding.
- Class 35. Advertising, marketing, and promotional services for self-help journals, clothing, wellness products, lifestyle goods, skincare products, hair products, and jewellery. Business management and operation of online stores, retail platforms, and subscription-based services. Online retail store services featuring clothing, printed materials, journals, books, posters, candles, essential oils, mugs, drinkware, personal care products, skincare products, hair products, wellness products, home décor items, jewellery, accessories, and stationery. Subscription box services featuring curated lifestyle, wellness, skincare, hair care, and self-help products. Retail and wholesale services for lifestyle, wellness, personal development, skincare, hair care, and jewellery products through online and offline channels.
- Class 41. Educational services, namely conducting workshops, seminars, training sessions, and events in the fields of self-help, personal development, mental
- wellness, and wellness. Providing online courses, webinars, instructional videos, and educational content creation for personal growth, education, and self-discovery. Organising and hosting live events, conferences, retreats, and virtual seminars related to self-discovery, mindfulness, and personal development. Publishing educational content, blogs, newsletters, and printed or digital publications in the fields of wellness, self-help, and personal development.
- Class 42. Design and development of software and mobile applications for self-help, personal growth, mental wellness, wellness, and education. Hosting online platforms, blogs, interactive forums, and providing technological services for personal development and educational purposes. Development of analytics tools and progress-tracking software for self-discovery, goal-setting, and wellness monitoring. Hosting virtual reality and augmented reality experiences related to personal growth, mindfulness, and educational engagement. Design and development of customisable digital templates and tools for personal or professional use.
- Annemarie O'Brien, The Kerries, TRALEE V92 E4AN, Ireland. Address for service is c/o Annemarie O'Brien, The Kerries, TRALEE V92 E4AN, Ireland.
- The mark in use is/will be in the colour(s) Black and White



272005 23 October 2024

- Class 14. Jewelry.
- Class 41. Education; Cultural activities; Cultural services; Workshops for cultural purposes.
- Class 44. Beauty salons; Beauty treatment; Beauty care; Beauty consultation.

YANG LIU, STAR HOUSE, DOCK ROAD, DUNMORE EAST, WATERFORD X91 XF9F, Ireland. Address for service is c/o YANG LIU, STAR HOUSE, DOCK ROAD, DUNMORE EAST, WATERFORD X91 XF9F, Ireland.

Transliteration of the mark or of characters contained within the mark: Foreseeing future changes and adapting accordingly.

The mark in use will be in the colour(s) BLACK AND WHITE AND RED



272006 23 October 2024

- Class 9. Video streaming devices; Media streaming software; Digital media streaming devices; Computer application software for streaming audio-visual media content via the internet.
- Class 35. Public relations; Public relations services; Public relations agency; Public relations consultancy; Advertising, promotional and public relations services; Marketing; Marketing services.
- Class 41. Video production; Video film production; Video production services; Production of videos.

YANG LIU, STAR HOUSE, DOCK ROAD, DUNMORE EAST, WATERFORD X91 XF9F, Ireland. Address for service is c/o YANG LIU, STAR HOUSE, DOCK ROAD, DUNMORE EAST, WATERFORD X91 XF9F, Ireland.

Transliteration of the mark or of characters contained within the mark: Just Love Eating.

The mark in use will be in the colour(s) RED AND WHITE



272007 13 December 2024

Class 41. Production of podcasts; Creation [writing] of podcasts; Provision of entertainment via podcast; Creation [writing] of educational content for podcasts; Conducting fitness classes; Exercise and fitness classes; Conducting physical fitness conditioning classes; Personal trainer services; Personal trainer services [fitness training]; Physical fitness consultation; Physical fitness tuition; Physical fitness instruction; Physical fitness education services; Physical fitness training services; Tuition in physical fitness; Virtual physical fitness training services; Education services relating to physical fitness; Educational services relating to physical fitness; Instruction courses relating to physical fitness; Conducting training sessions on physical fitness online; Physical fitness assessment services for training purposes; Physical fitness instruction for adults and children; Physical fitness and optimal health training plans for running; Education and training for runners delivered through educational pre-recorded videos, educational blogs and informational training plans as part of an

ongoing monthly membership.

Mary Jennings, 158 The Gallery, Turvey Walk, Donabate, Dublin K36 Y431, Ireland. Address for service is c/o Mary Jennings, 158 The Gallery, Turvey Walk, Donabate, Dublin K36 Y431, Ireland.

The mark in use is/will be in the colour(s) Pink = Hex #e61f93 Blue = Hex #1d2bb2 Yellow = Hex #f8c630 Green = Hex #3a721c Orange = Hex #f95515

EZENKA

272008 10 December 2024

Class 35. Design of marketing surveys; Business consultancy; Strategic business consultancy.

Class 41. Training services relating to design; Educational courses relating to design.

Class 42. Technological services; Technological consultancy; Technological design services; Technological analysis services; Technological project studies; Technological consultation services; Technological advisory services; Technological services relating to computers; Technological research relating to computers; Preparation of technological research reports; Technological services and design relating thereto; Technological services and research relating thereto; Technological consultancy services for

digital transformation;
 Technological advisory
 services relating to computer
 programs; Consultancy in the
 field of technological
 research; Consultancy in the
 field of technological design;
 Design consultancy; Website
 design; Graphic design;
 Software design; Product
 design; Graphic designing;
 Design of prototypes;
 Website design consultancy;
 Computer site design; New
 product design; Illustration
 services (design); Illustrating
 services (design); Design of
 websites; Web site design;
 Website design services;
 Webpage design services;
 Software design (Computer -
); Computer software design;
 Design of software; Design
 of products; Product design
 services; Web site design
 consultancy; Software design
 and development; Product
 design and development;
 Software design for others;
 Research relating to design;
 Website design and
 development; Design of
 information systems; Design
 of Internet pages; Web page
 design services; Design of
 web pages; Web site design
 services; Design of web
 sites; Computer software
 (Design of -); Design of
 computer software;
 Computer software design
 services; Search engine
 design services; Evaluation
 of product design; Analysis
 of product design;
 Technological services
 relating to design; Internet
 web site design services;
 Computer software design
 and development; Computer
 programming and software
 design; Computer software
 design and updating;
 Consultancy services relating
 to design; Design of
 homepages and websites;

Intranet design, development
 and maintenance; Design of
 data processing systems;
 Software consultancy
 services; Computer software
 consultancy; Consultancy
 (Computer software -);
 Information technology
 consultancy.

Sophie Freiermuth, EZENKA, Platform 94, Galway
 H91 D932, Ireland. Address for service is c/o Sophie
 Freiermuth, EZENKA, Platform 94, Galway H91
 D932, Ireland.



272009 12 December 2024

Class 36. Financial services; banking
 services; personal banking
 services; monetary services;
 provision of banking services
 via the Internet; money
 transmission; bill payment
 services; payment processing
 and payment services;
 electronic banking and funds
 transfer services; electronic
 payment services; providing
 electronic mobile payment
 services for others; payment
 processing services;
 consultancy, advisory and
 information services to all of
 the aforesaid services.

The Members for the time being of the Banking and
 Payments Federation Ireland, Third Floor, One

Molesworth Street, Dublin 2, D02 RF29, Ireland.
Address for service is c/o FRKelly, Waterways
House, Grand Canal Quay, Dublin D02 PD39,
Ireland.



272010 16 December 2024

Class 28. Card games; games; toys;
board games.

Propifi Limited, 4 Golf Course Road, Skelmorlie
PA17 5BH, United Kingdom. Address for service is
c/o FRKelly, Waterways House, Grand Canal Quay,
Dublin D02 PD39, Ireland.



KOYU

272011 16 December 2024

Class 21. Teacups (yunomi); Tea sets;
Tea cups.

Class 30. Tea-based beverages;
Beverages (Tea-based -);
Japanese green tea; Tea mix
powders; Instant green tea;
Tea pods; Tea leaves; Instant
tea; Green tea; Tea
beverages; Tea bags; Tea;
Teas; Chocolates; Chocolate;
Pastries; Ice cream.

Kevin O'Keeffe, Coromore, Valentia, Co. Kerry V23
WF59, Ireland. Address for service is c/o Kevin
O'Keeffe, Coromore, Valentia, Co. Kerry V23
WF59, Ireland.

SNACK SHACK

272012 17 July 2023

- | | |
|---|---|
| <p>Class 29. Milk substitutes; processed pulses and nuts for human consumption; pulse-based snack foods; nut-based snack foods; prepared meals consisting primarily of pulses.</p> <p>Class 30. Cocoa; cocoa-based drinks; chocolate based drinks; cocoa substitutes; coffee; coffee based drinks; coffee capsules, filled; coffee flavourings; coffee substitutes; tea; tea based beverages; tea substitutes; iced tea; Processed grains, starches and goods made thereof; wheat flour; bakery goods; bread; bread rolls; buns; bibimbap, namely rice mixed with vegetable and beef, poultry or seafood; pancakes; rice cakes; rice crackers; sushi; tacos; tortillas; cakes; cake powder; chocolate decorations for cakes; coconut macarons; macarons; biscuits; cookies; malt biscuits; gingerbread; pastries; profiteroles; croissants; doughnuts; waffles; pains au chocolat; chocolatines; tarts; fruit confectionery; Fruit coulis [sauces]; puddings; rice pudding; custard; ice cream; ice pops; frozen yogurt; confectionery in the form of mousses; chocolate mousses; chocolate; chocolate-coated nuts; chocolate-covered potato chips; chocolate spreads-containing nuts; chocolate-based spreads; dulce de leche; cereal preparations; cereal-based snack food; cereal based bars; high-protein cereal bars; corn flakes; maize flakes; muesli; grain-based chips; flour-based chips; popcorn; crackers; confectionery; sugar confectionery; almond confectionery; liquorice confectionery; liquorice</p> | <p>flavoured confectionery; sweets; candies; non-medicated confectionery in the form of lozenges; Candy, other than for medical purposes; nougat; caramels; Fruit jellies [confectionery]; liqueur chocolates; confectionery for decorating Christmas trees; peanut confectionery; peppermint sweets; chewing gum; pralines; rice; instant rice; noodles; ramen; soba noodles; udon noodles; pasta; macaroni; spaghetti; vermicelli; rice-based snack food; pasta-based snack foods; noodle-based snack foods; prepared meals consisting primarily of rice; prepared meals consisting primarily of pasta; prepared meals consisting primarily of noodles; freeze-dried dishes with the main ingredient being pasta; lyophilised dishes with the main ingredient being pasta; freeze-dried dishes with the main ingredient being rice; lyophilised dishes with the main ingredient being rice; freeze-dried dishes with the main ingredient being noodles; lyophilised dishes with the main ingredient being noodles; pasta sauce; soya sauce; savoury sauces; condiments; cooking salt; curry spices; dressings for salad; ketchup; tomato sauce; mayonnaise; relishes; chutneys; sauces; seasonings; spices; Garden herbs, preserved [seasonings]</p> <p>Class 32. Beer and non-alcoholic beer; non-alcoholic beverages; nut and soy-based beverages; flavoured carbonated beverages; juices; waters; alcohol-free beverages; non-alcoholic preparations for making beverages.</p> |
|---|---|

PF WHOLESALE LIMITED, Coes Road Industrial Estate, Coes Road, Dundalk, Louth A91 CFY5, Ireland. Address for service is c/o MACLACHLAN & DONALDSON (IRELAND) LIMITED, trading as MACLACHLAN & DONALDSON, Unit 10, 4075 Kingswood Road, Citywest Business Campus, Dublin 24 D24 C56E, Ireland.

**Ready
Chef**

ReadyChef

Application is for a Series of 2 Trade Marks.

272013 11 December 2024

Class 29. Processed fruits, fungi, vegetables, nuts and pulses; Vegetables, preserved; Vegetable salads; Vegetables, cooked; Vegetables, dried; Processed vegetables; Prepared vegetable products; salads, prepared salads; Pre-cut vegetables ; Pre-cut vegetables for salads; Peeled vegetables; Mixed vegetables; Prepared fruits; Fruit salads; Fruit preserves; Fruit, preserved; Fruit paste; Fruit peel; Frozen vegetables; Frozen fruits;

Dried fruit; prepared meals consisting of vegetables; fruits and vegetables, all being preserved, dried, cooked or frozen; vegetarian prepared meals; potato chips; soups; vegetable burgers; potato-based snack foods; fruit based snack foods; nut-based snack foods; vegetable-based snack foods; snack foods based on legumes.

- Class 30. sauces and dressings; preparations for making sauces; marinades and coatings; spices; spice rubs; salt, pepper, seasoning, condiments, mustard; gravies, gravy mixes and preparations for making gravies; Flavourings made from vegetables [other than essential oils].
- Class 31. Fresh fruits and vegetables; Fresh fruits, nuts, vegetables and herbs; Berries, fresh fruits; Salad vegetables [fresh]; Roots for food; Garden salads; raw vegetables; Arrangements of fresh fruit; Mixed fruits [fresh]; Unprocessed fruit; fresh pulses; malt.
- Class 35. Wholesale, retail, cash and carry and online services relating to food; Wholesale cash and carry and online services in relation to foodstuffs; Retail services in relation to foodstuffs; Wholesale, retail, cash and carry and online services connected with food products made from fresh or processed fruits, fungi, vegetables, nuts and/ or pulses; Wholesale, retail, cash and carry and online services connected with prepared meals consisting of vegetables, prepared meals consisting primarily of meat substitutes, fruits and vegetables, all being

preserved, dried, cooked or frozen; Wholesale, retail, cash and carry and online services connected with vegetarian prepared meals, potato chips, salads, prepared salads, soups, vegetable burgers, potato snack foods; Wholesale, retail, cash and carry and online services connected with potato-based snack foods, fruit based snack foods, nut-based snack foods, vegetable-based snack foods; Wholesale, retail, cash and carry and online services connected with snack foods based on nuts, snack foods based on vegetables, snack foods based on legumes; Wholesale, retail, cash and carry and online services connected with preparations for making sauces; Wholesale, retail, cash and carry and online services connected with marinades and coatings, spices, spice rubs, salt, pepper, seasoning, condiments, mustard, gravies, gravy mixes and preparations for making gravies, raw and unprocessed grains and seeds, fresh fruits and vegetables, herbs, nuts, fresh pulses, malt; retail services provided at retail outlets relating to food and beverages; retail services provided at garage forecourts relating to food and beverages; retail services provided at office buildings relating to food and beverages; retail services provided at schools and universities relating to food and beverages; retail services provided at public buildings relating to food and beverages; retail and wholesale services provided at a cash and carry store relating to food and beverages; retail and wholesale services provided

at a convenience store relating to food and beverages; sales promotion and publicity services relating to food and drink.

Class 39. Storage of goods and merchandise; tracking services relating to transportation and delivery of goods and merchandise; packaging of goods; transportation and delivery of goods and merchandise.

Sysco Foods Ireland UC, Ardagh Road, Newcastle West, Limerick V42 XC04, Ireland. Address for service is c/o Cruickshank, 8 A Unit, Sandyford Business Centre, Sandyford D18R2N8, Ireland.

ReadyChef

272014 11 December 2024

Class 29. Processed fruits, fungi, vegetables, nuts and pulses; Vegetables, preserved; Vegetable salads; Vegetables, cooked; Vegetables, dried; Processed vegetables; Prepared vegetable products; salads, prepared salads; Pre-cut vegetables ; Pre-cut vegetables for salads; Peeled vegetables; Mixed vegetables; Prepared fruits; Fruit salads; Fruit preserves; Fruit, preserved; Fruit paste; Fruit peel; Frozen vegetables; Frozen fruits; Dried fruit; prepared meals consisting of vegetables; fruits and vegetables, all being preserved, dried, cooked or frozen; vegetarian

- prepared meals; potato chips; soups; vegetable burgers; potato-based snack foods; fruit based snack foods; nut-based snack foods; vegetable-based snack foods; snack foods based on legumes.
- Class 30. Sauces and dressings; Preparations for making sauces; Marinades and coatings; spices; spice rubs; salt, pepper, seasoning, condiments, mustard; gravies, gravy mixes and preparations for making gravies; Flavourings made from vegetables [other than essential oils].
- Class 31. Fresh fruits and vegetables; Fresh fruits, nuts, vegetables and herbs; Berries, fresh fruits; Salad vegetables [fresh]; Roots for food; Garden salads; raw vegetables; Arrangements of fresh fruit; Mixed fruits [fresh]; Unprocessed fruit; fresh pulses; malt.
- Class 35. Wholesale, retail, cash and carry and online services relating to food; Wholesale cash and carry and online services in relation to foodstuffs; Retail services in relation to foodstuffs; Wholesale, retail, cash and carry and online services connected with food products made from fresh or processed fruits, fungi, vegetables, nuts and/ or pulses; Wholesale, retail, cash and carry and online services connected with prepared meals consisting of vegetables, prepared meals consisting primarily of meat substitutes, fruits and vegetables, all being preserved, dried, cooked or frozen; Wholesale, retail, cash and carry and online services connected with vegetarian prepared meals,
- potato chips, salads, prepared salads, soups, vegetable burgers, potato snack foods; Wholesale, retail, cash and carry and online services connected with potato-based snack foods, fruit based snack foods, nut-based snack foods, vegetable-based snack foods; Wholesale, retail, cash and carry and online services connected with snack foods based on nuts, snack foods based on vegetables, snack foods based on legumes; Wholesale, retail, cash and carry and online services connected with preparations for making sauces; Wholesale, retail, cash and carry and online services connected with marinades and coatings, spices, spice rubs, salt, pepper, seasoning, condiments, mustard, gravies, gravy mixes and preparations for making gravies, raw and unprocessed grains and seeds, fresh fruits and vegetables, herbs, nuts, fresh pulses, malt; retail services provided at retail outlets relating to food and beverages; retail services provided at garage forecourts relating to food and beverages; retail services provided at office buildings relating to food and beverages; retail services provided at schools and universities relating to food and beverages; retail services provided at public buildings relating to food and beverages; retail and wholesale services provided at a cash and carry store relating to food and beverages; retail and wholesale services provided at a convenience store relating to food and beverages; sales promotion and publicity services relating to food and drink.

Class 39. Storage of goods and merchandise; tracking services relating to transportation and delivery of goods and merchandise; packaging of goods; transportation and delivery of goods and merchandise.

Sysco Foods Ireland UC, Ardagh Road, Newcastle West, Limerick V42 XC04, Ireland. Address for service is c/o Cruickshank, 8 A Unit, Sandyford Business Centre, Sandyford D18R2N8, Ireland.

GREENTHUMB

272015 11 December 2024

Class 1. Liquid lawn feed; lawn feed; fertilisers for soil; topsoil; soil improving material; soil conditioning preparations; fertilisers for lawn treatment; Top dressings [humus] for lawns; Top dressings for lawns; Grass fertilizers; Garden feeds [fertilizers]; Fertilizers, lawn fertilizers, grass fertilizers; Chemical preparations for soil treatment; Biofertilizers for use in soil treatment; Chemical additives for pesticides; Chemicals for use in horticulture [other than fungicides, weedkillers, herbicides, insecticides, parasiticides]; Soil enrichment chemicals; Soil additives [fertilising]; Horticultural chemicals, except fungicides, herbicides, insecticides and parasiticides.

Class 7. Apparatus for the maintenance of lawns; Apparatus for the treatment of lawns; Applicators for lawn care products [machines]; Horticultural machines for use in the care of lawns; Horticultural machines for use in the maintenance of lawns; Soil spreading machines; Single seed sowing machines; Lawn aerators [machines]; Scarifying machines; Scarifiers [machines]; Scarifying machines for garden use; Lawn clippers [machines]; Lawn cutting machines; Lawn edge trimmers [machines]; Lawn rakes [machines]; Lawn raking machines; Lawn rolling machines; Lawn sweepers [machines]; Lawn treatment apparatus [machines]; Lawn trimming machines; Lawn weeding machines; Machines for use in the preparation of lawns; Motor driven lawn mowers; Power operated lawn edging tools; Lawn and garden tilling machines; Power-operated lawn and garden tillers; Lawn trimming machines; Grass cutting machines; Lawn edge trimmers [machines]; Power-operated lawn aerators; Grass edging machines; Lawn mowers; Power blowers for lawn debris; Machine mowers; Sprayers for use in horticulture [parts of machines]; Garden tilling machines; Mechanical lawn mowers; Grass trimming machines; Lawn rolling machines; Lawn sweepers [machines]; Apparatus for dressing; Dressing (Apparatus for -).

Class 44. Lawn care; Lawn care services; Lawn maintenance services; Garden maintenance; Gardening;

Gardening advice;
Horticulture, gardening and landscaping; Pest control services for horticulture; Advisory and consultancy services relating to the use of agricultural and horticultural fertilizers; Gardening information and advice; Gardener and gardening services; gardening services; Garden design services; Weed killing for agriculture, horticulture and forestry; Sowing of seeds; Seeds (Sowing of -); Surface spreading of fertilizers.

Stephen Philip Waring, Greenthumb Ltd, Ffordd William Morgan, St. Asaph Business Park, St. Asaph, Clwyd LL17 0JD, United Kingdom. Address for service is c/o Anne Lacaze, Harrison IP SAS, 4 Rue Bobillot, 87100 Limoges, France.

La Maison

272016 19 December 2024

Class 43. Services for providing food and drink; restaurant services.

Semogo Limited, 14/15 Castle Street, Dublin 2, Ireland. Address for service is c/o Mark Carmody, PurdyLucey Intellectual Property, 23 Ely Place, Dublin 2 D02 N285, Ireland.

H2Go

THE HYDRATION CO.

272017 26 November 2024

Class 5. Vitamin supplements; Dietary supplements; Nutritional supplements; Liquid vitamin supplements; Vitamin and mineral supplements; Fitness and endurance supplements; Liquid herbal supplements.

Gareth Morrissey, Roo West, Ardnacrusha, Clare, Ireland. Address for service is c/o Chiara Quondamatteo, Kennedy Fitzgerald LLP Solicitors, The Waterfront, Bridge Street, Galway H91DH30, Ireland.

The mark in use is/will be in the colour(s) White (RGB 255, 255, 255), Black (RGB 0,0,0)

Mac Nean Glamping

272018 23 October 2024

Class 43. Holiday accommodation services.

Sean Clancy, Annagh, Glenfarne, Co. Leitrim F91 W821, Ireland. Address for service is c/o Sean Clancy, Annagh, Glenfarne, Co. Leitrim F91 W821, Ireland.

The mark in use is/will be in the colour(s) Black and white

Dive 55

272019 09 September 2024

Class 32. Beer; Craft beer; Beer and non-alcoholic beer; Non-alcoholic beer; Malt beer; Beer wort; Craft beers; Barley wine [Beer]; Gluten free beer; Beer-based beverages; Beer-based cocktails; Low alcohol beer; Non-alcoholic beer-based cocktails; Carbonated soft drinks; Non-carbonated soft drinks; Carbonated non-alcoholic drinks; Flavoured carbonated beverages; Non-alcoholic carbonated beverages; Non-alcoholic cocktails.

Class 40. Brewing of beer; Beer brewing for others; Brewing services.

Class 43. Beer bar services; Beer garden services; Bars; Sake bars; Tapas bars; Bar services; Wine bars; Juice bars; Shisha bars; Snack-bars; Bar and restaurant services; Serving beverages in brewpubs; Cocktail lounges; Food and drink catering for cocktail parties; Wine tasting services (provision of beverages).

David McHugh, 3 Firgrove Avenue, Bishopstown T12 HRX6, Ireland. Address for service is c/o David McHugh, 3 Firgrove Avenue, Bishopstown, Cork T12 HRX6, Ireland.

Baltray 1892

272021 17 August 2024

Class 25. Sport shirts/hats; Ready-made clothing.

Bryan Scott Kirkpatrick, Adamstown, Drumcar, Ireland. Address for service is c/o Bryan Scott Kirkpatrick, Adamstown, Louth, Ireland.

The Hearing Suite

272022 12 December 2024

Class 10. Hearing aids for the deaf [acoustic aids]; Programmable hearing aids; Hearing aids for the deaf; Hearing aids with a noise cancelling function; Electronic hearing aids; Electric hearing aids; Digital hearing aids; Analog hearing aids; Earmoulds being parts of hearing aids; Medical instruments for use as aids to hearing; Acoustic amplifiers [hearing aids] for partially deaf persons; Medical hearing instruments; Hearing apparatus for the deaf; Hearing protection devices; Hearing protectors; Apparatus for use in testing hearing disorders; Medical instruments for use in relation to hearing; Hearing aids.

Class 37. Repair and maintenance of hearing aids; Maintenance

and repair of hearing aids for the deaf.

- Class 44. Audiology services; Fitting of hearing aids; Hearing aid fitting services; Ear wax removal services; Speech and hearing therapy; Medical consultancy relating to hearing loss; Consultancy relating to hearing tests.

THE HEARING SUITE LIMITED, Highfield House, 52 East Parade, Harrogate HG1 5LT, United Kingdom. Address for service is c/o Trama Legal s.r.o., Bottova 2A, 811 09 Bratislava, Slovakia.



272023 23 July 2024

- Class 5. Vitamin supplements, Mineral supplements, Dietary supplements, Nutritional supplements, Probiotic supplements, Calcium supplements, Homeopathic supplements, Food supplements, Protein supplements, Herbal

supplements, Enzyme dietary supplements, Flaxseed dietary supplements, Linseed dietary supplements, Mineral food supplements, Protein dietary supplements, Dietary food supplements, Mineral dietary supplements, Lecithin dietary supplements, Medicated food supplements, Liquid herbal supplements, Mineral nutritional supplements, Liquid vitamin supplements, Anti-oxidant supplements, Anti-oxidant food supplements, Dietary supplements for infants, Royal jelly dietary supplements, Vitamin and mineral supplements, Protein powder dietary supplements, Acai powder dietary supplements, Soy protein dietary supplements, Food supplements for sportsmen, Fitness and endurance supplements, Whey protein dietary supplements, Dietary supplements for controlling cholesterol, Food supplements in liquid form, Nutritional supplements consisting primarily of magnesium, Nutritional supplements consisting primarily of zinc, Nutritional supplements consisting of fungal extracts, Dietary supplements consisting primarily of iron, Dietary supplements consisting primarily of magnesium, Dietary supplements consisting primarily of calcium, Nutritional supplements consisting primarily of calcium, Nutritional supplements consisting primarily of iron, Food supplements for non-medical purposes, Health food supplements made principally of vitamins, Health food supplements made principally of minerals, Health-aid foods

- | | | |
|-----------|--|---|
| | <p>supplements containing ginseng, Vitamin preparations in the nature of food supplements, Herbal dietary supplements for persons special dietary requirements, Dietary supplements for humans not for medical purposes, Health food supplements for persons with special dietary requirements, Nutritional supplements made of starch adapted for medical use.</p> | |
| Class 29. | <p>Meat, fish, poultry and game; preserved, frozen, dried and cooked fruits and vegetables; prepared dishes consisting principally of any of the foregoing; preparations for making broth, bouillon, soups and stocks; soups, broths and bouillons; edible oils and fats; peanuts, prepared; jellies, jams, compotes; eggs; milk, milk shakes and milk products; soya milk; yoghurts; dairy puddings; formed texture vegetable protein for use as a meat substitute; milk drinks, yoghurt drinks, flavoured milk drinks, dairy based beverages, peanut milk-based beverages, coconut milk-based beverages, almond milk-based beverages, soy milk beverages, cocoa flavoured milk beverages, oat-based beverages; vegetable purees, vegetable pastes.</p> | <p>preparations for food; essences for foodstuffs, except etheric essences and essential oils; food flavourings, other than essential oils; garden herbs, preserved; flour and preparations made from cereals; coffee, tea, cocoa and artificial coffee; tapioca and sago; bread, pastry and confectionery; edible ices; sugar, honey, treacle, high protein cereal bars; puddings, dessert puddings, rice puddings, Yorkshire puddings, instant dessert puddings, ready-to-eat puddings; Christmas puddings; mixes for making puddings, puddings in powder form; flavourings for beverages; ice cream drinks; ice beverages with a chocolate base, ice beverages with a coffee base, ice beverages with a cocoa base; coffee drinks, cocoa drinks, coffee based drinks, chocolate based drinks; herbal preparations for making beverages; tea based beverages; chamomile based beverages; chocolate syrups for the preparation of chocolate based beverages; based for making milk shakes; pizzas, pizza bases, frozen pizzas, fresh pizzas, pizza spices, pizza sauces, pizza dough, pizza mixes, preparations for making pizza bases; sauces, fruit sauces, savoury sauces, sauces for ice cream, pasta sauces, canned sauces, salad sauces, salsa sauces, curry sauces, herb sauces, vegetable purees, vegetable pastes, tomato based sauces, mayonnaise based sauces, sauces for barbecued meats, sauces for frozen fish, chocolate sauces, prepared foodstuffs in the form of sauces.</p> |
| Class 30. | <p>Prepared meals consisting principally of rice, pasta or noodles; noodles, rice and pasta products for foodstuffs; farinaceous foods; pasta sauces; sauces (condiments); preparations for making sauces; sauces for foodstuffs; salad dressings; mayonnaises, chutneys; mustard; marinades; glazes; spices; seasonings; salt; vinegar; molasses for food; natural sweeteners; aromatic</p> | |

Class 32. Non-alcoholic beverages; beer-based beverages; sports drinks, energy drinks, juice drinks, isotonic drinks, soft drinks, protein drinks, energy drinks containing caffeine, non-carbonated soft drinks, coffee flavoured soft drinks, soft drinks flavoured with tea, non-alcoholic sparkling fruit juice drinks, sorbets (beverages), beverages containing vitamins, whey beverages, nut and soy based beverages, flavoured carbonated beverages, non-alcoholic beverages containing vegetable juices, cola drinks, low calorie soft drinks, fruit flavoured soft drinks, tonic water (non-medicated beverage), vegetable drinks, fruit drinks, frozen fruit drinks, orange fruit drinks, apple juice drinks, iced fruit beverages, grape juice beverages, smoothies (non-alcoholic fruit beverages), tomato juice beverages, pineapple juice beverages, coconut based beverages, ginger juice beverages, mineral water, mineral enriched water (beverages), syrups for making beverages; syrups for making soft drinks, cordials, essences for making beverages.

Class 35. The bringing together of a variety of goods, enabling customers to conveniently view, order and purchase those goods in a retail or wholesale premises, from an online or off-line retail or wholesale merchandise catalogue and/or retail or wholesale website, namely supplements, food and beverage products.

DPB Meats Limited, Unit D6, Airside Retail Park, Swords, Co. Dublin K67 YD50, Ireland. Address for

service is c/o TOMKINS & CO., 5 Dartmouth Road, Dublin 6, Ireland.

The application for registration is proceeding based on honest concurrent use with European Union Trade Mark No. 004658464, European Union Trade Mark No. 013866876 and European Union Trade Mark Application No. 018945292.



272024 17 June 2024

Class 43. Restaurants; Self-service restaurants; Provision of information relating to restaurants; Provision of food and drink in restaurants; Providing food and drink in restaurants and bars; Serving food and drink in restaurants and bars; Hospitality services [food and drink]; Services for providing food and drink; Services for the preparation of food and drink; Club services for the provision of food and drink; Providing food and drink catering services for convention

facilities; Providing food and drink catering services for exhibition facilities; Coffee shops; Coffee shop services; Coffee bar services; Coffee supply services for offices [provision of beverages]; Office catering services for the provision of coffee; Catering; Catering services; Mobile catering services; Business catering services; Catering services for hospitality suites; Catering of food and drink; Catering in fast-food cafeterias; Catering services for the provision of food and drink; Catering services for company cafeterias; Providing of food and drink via a mobile truck.

KSG Catering Limited, McKee Avenue, Finglas, Dublin 11, Ireland. Address for service is c/o Michael Lucey, PurdyLucey Intellectual Property, 6-7 Harcourt Terrace, Dublin 2 D02 FH73, Ireland.



Application is for a Series of 2 Trade Marks.

272025 19 December 2024

Class 9. Downloadable computer software using artificial intelligence models for content generation and management, namely, image generation from user prompts, video generation from user prompts, and image compression; downloadable computer

software and application software for generating images from text, downloadable computer software and application software for searching, licensing, purchasing and downloading digital content, text; downloadable computer software and application software with artificial intelligence for generating images from text.

Class 42. Provision of application software using artificial intelligence for generating images from non-downloadable text by websites, designing, creating or maintaining computer programs; application service provider (asp) featuring software using artificial intelligence for generating images based on natural language prompts; providing a website featuring non-downloadable software using artificial intelligence for generating images based on natural language prompts; providing on-line non-downloadable software using artificial intelligence for generating images based on natural language prompts; providing temporary use of on-line non-downloadable cloud computing software using artificial intelligence for generating images based on natural language prompts; providing temporary use of on-line non-downloadable software and applications using artificial intelligence for generating images based on natural language prompts; research in the field of artificial intelligence; software as a service (saas) services featuring software using artificial intelligence for generating images based on natural language prompts; Software As A Service

(SAAS) services using artificial intelligence models for content generation and management, namely, image generation from user prompts, video generation from user prompts, image editing, and image compression; application service provider featuring Application Programming Interface (API) software; providing information in the field of artificial intelligence technology.

MARBLEZ LIMITED, 32 Molesworth Street, Dublin 2, D02 Y512, Ireland. Address for service is c/o FRKelly, Waterways House, Grand Canal Quay, Dublin D02 PD39, Ireland.



Application is for a Series of 3 Trade Marks.

272026 31 October 2024

Class 6. Metal frameworks and elongate members of specific cross-section for construction

and interior outfitting, in particular for laying of glass wool, rock wool, mineral wool, plasterboard or slabs of plaster; metal frameworks for facing; parts, totally or mainly of metal, for cladding, support, laying, mounting, linking, joining, connecting, extending, immobilizing, holding and/or fastening, all being for the aforementioned elongate members of specific cross-section, frameworks, boards, slabs, facings, including hangers, rails, uprights, pillars, supports, mountings, corner brackets, connectors, extension pieces, angle brackets, splice members, clips, clamps, claws, hooks, fasteners, spars, spacers, lugs, connecting pieces, corner pieces, nuts, washers, springs, dowels, bolts, screws and nails; prefabricated metal panels.

Class 17. Materials for draught proofing, for caulking and for insulating. Insulating materials in particular based on mineral wool or mineral fibers, glass wool, rock wool, textile fibers for use as insulation, wood fibers, natural fibers for use as insulation, polystyrene, polypropylene, polymers, loose, for blowing or in the form of strips, sheets, insulating felts, layers, membranes, panels, boards, partitions, beads, shells for use as insulation, tubes, rolls and molded pieces, for thermal insulation, acoustic insulation, soundproofing, aesthetic isolation and sealing. Insulating materials for construction, including slabs, boards, panels, supports and substrates that are mineral wool based; cladding complexes for insulation. Panels, plaster

- and/or polystyrene based plates, for insulation. Prefabricated insulating panels. Insulating materials with a surface finish. Adhesive eyelets, membranes, ribbons, tapes and strips for insulation. Putties for joints; mastics for sealing; non-metallic seals [not stamps]; non-metallic joints and in particular sealing joints; non-metallic insulating preparations for spreading. Fastening devices made of plastic for construction materials. Fastening devices made of plastic for insulating and sealing goods; insulating sheaths for fire protection of electrical spot lamps.
- Class 19. Non-metallic construction materials. Plaster and plasterboard; plates, plaster and/or polystyrene based panels and slabs, for construction, cladding. Prefabricated building panels, not of metal. Bituminous materials, non-metallic frameworks for construction; non-metallic fastening devices for construction; panels, non-metallic plates, rolls, with or without surface finish, for thermal and acoustic insulation and protection against moisture and fire used in the construction of walls, partitions, ceilings, suspended ceilings, floors, roofs, under-roof configurations, cladding and insulation complexes that are impermeability protected; non-metallic partitions; mortars, non-metallic trimmings and linings (construction); non-metallic cladding (construction); ceilings not made from metal.
- Class 37. Information relating to construction and to

construction and insulation materials; the rental of tools, equipment and machines for construction and worksites; construction; renovation and maintenance of buildings; building insulation; building cleaning; demolition of constructions; removal of building and construction debris; building construction supervision; construction consultancy; providing construction information.

- Class 42. Architectural services; architectural consultancy; construction drafting; interior design; design of interior decor; diagnostic services relating to thermal insulation, acoustic insulation, soundproofing and impermeability of real estate; diagnostic information and advice relating to thermal insulation, acoustic insulation, soundproofing and impermeability of real estate.

SAINT-GOBAIN CONSTRUCTION PRODUCTS UK LIMITED, Saint-Gobain House, East Leake, Loughborough, Leicestershire LE12 6JU, United Kingdom. Address for service is c/o TOMKINS & CO., 5 Dartmouth Road, Dublin 6, Ireland.

OLETOVY

272027 20 December 2024

- Class 5. Pharmaceutical and/or medical preparations and substances for human use.

Tolmar International Limited, 10 Earlsfort Terrace, Dublin 2 D02 T380, Ireland. Address for service is c/o TOMKINS & CO., 5 Dartmouth Road, Dublin 6, Ireland.

OVESARI

272028 20 December 2024

Class 5. Pharmaceutical and/or medical preparations and substances for human use.

Tolmar International Limited, 10 Earlsfort Terrace, Dublin D02 T380, Ireland. Address for service is c/o TOMKINS & CO., 5 Dartmouth Road, Dublin 6, Ireland.

LUQUENLY

272029 20 December 2024

Class 5. Pharmaceutical and/or medical preparations and substances for human use.

Tolmar International Limited, 10 Earlsfort Terrace, Dublin 2 D02 T380, Ireland. Address for service is c/o TOMKINS & CO., 5 Dartmouth Road, Dublin 6, Ireland.

TARBH DEARG \par Tarbh Dearg

Application is for a Series of 2 Trade Marks.

272030 20 December 2024

Class 32. Beers; mineral waters; aerated waters; non-alcoholic beverages; fruit beverages and fruit juices; syrups for making beverages; preparations for making non-alcoholic beverages; energy drinks; non-alcoholic beer; starch-based dry mixes for beverage preparation; beer infused with hemp.

Red Bull GmbH, Am Brunnen 1, 5330 Fuschl am See, Austria. Address for service is c/o MACLACHLAN & DONALDSON (IRELAND) LIMITED, trading as MACLACHLAN & DONALDSON, Unit 10, 4075 Kingswood Road, Citywest Business Campus, Dublin 24 D24 C56E, Ireland.

Making Lives Better

272031 03 December 2024

Class 35. Business consulting.
Class 41. Training.

Censeo Resources Limited t/a Trinzo, 3 The Demense, Monivea, County Galway H65R798, Ireland. Address for service is c/o Censeo Resources Limited t/a Trinzo, 3 The Demense, Monivea, County Galway H65R798, Ireland.

Swellerator

272032 21 December 2024

Class 40. Generation of electricity from wave energy; Information and advisory services relating to the generation of electricity from wave energy.

Gavin Patrick Quilty, 6 Carnfyan, Mount Temple, Moate, Co. Westmeath N37H982, Ireland. Address for service is c/o Gavin Patrick Quilty, 6 Carnfyan, Mount Temple, Moate, Co. Westmeath N37H982, Ireland.

MICRO-RIB

272033 19 December 2024

Class 6. Building material and building elements of metal; transportable buildings of metal; building panels, building boards and building frames of metal; partition walls and ceilings of metal; metal sheets for buildings; sandwich panels (coated with metal sheet, core of mineral wool); covering strips and profiles, fixing strips and profiles of metal, as well as fittings and fastenings for aforementioned goods.

Class 17. Plastic materials in the form of sheets (non-textile), blocks and rods, all being semi-finished products; insulating materials; insulating panels; laminates

of plastic material having insulating properties; insulating materials made of foamed plastics; laminated boards; structural insulating panels and materials; parts and fittings included in the class.

Kingspan Holdings (IRL) Limited, Dublin Road, Kingscourt, Co. Cavan, Ireland. Address for service is c/o TOMKINS & CO., 5 Dartmouth Road, Dublin 6, Ireland.

KINGFOIL

272034 19 December 2024

Class 6. Building material and building elements of metal; transportable buildings of metal; building panels, building boards and building frames of metal; partition walls and ceilings of metal; metal sheets for buildings; sandwich panels (coated with metal sheet, core of mineral wool); covering strips and profiles, fixing strips and profiles of metal, as well as fittings and fastenings for aforementioned goods.

Class 17. Plastic materials in the form of sheets (non-textile), blocks and rods, all being semi-finished products; insulating materials; insulating panels; laminates of plastic material having insulating properties; insulating materials made of foamed plastics; laminated boards; structural insulating panels and materials; parts

and fittings included in the class.

Kingspan Holdings (IRL) Limited, Dublin Road, Kingscourt, Co. Cavan, Ireland. Address for service is c/o TOMKINS & CO., 5 Dartmouth Road, Dublin 6, Ireland.

KINGDECK

272035 19 December 2024

Class 6. Building material and building elements of metal; transportable buildings of metal; building panels, building boards and building frames of metal; partition walls and ceilings of metal; metal sheets for buildings; sandwich panels (coated with metal sheet, core of mineral wool); covering strips and profiles, fixing strips and profiles of metal, as well as fittings and fastenings for aforementioned goods.

Class 17. Plastic materials in the form of sheets (non-textile), blocks and rods, all being semi-finished products; insulating materials; insulating panels; laminates of plastic material having insulating properties; insulating materials made of foamed plastics; laminated boards; structural insulating panels and materials; parts and fittings included in the class.

Kingspan Holdings (IRL) Limited, Dublin Road, Kingscourt, Co. Cavan, Ireland. Address for service

is c/o TOMKINS & CO., 5 Dartmouth Road, Dublin 6, Ireland.

SHADOWLINE

272036 19 December 2024

Class 6. Building material and building elements of metal; transportable buildings of metal; building panels, building boards and building frames of metal; partition walls and ceilings of metal; metal sheets for buildings; sandwich panels (coated with metal sheet, core of mineral wool); covering strips and profiles, fixing strips and profiles of metal, as well as fittings and fastenings for aforementioned goods.

Class 17. Plastic materials in the form of sheets (non-textile), blocks and rods, all being semi-finished products; insulating materials; insulating panels; laminates of plastic material having insulating properties; insulating materials made of foamed plastics; laminated boards; structural insulating panels and materials; parts and fittings included in the class.

Kingspan Holdings (IRL) Limited, Dublin Road, Kingscourt, Co. Cavan, Ireland. Address for service is c/o Tomkins & Co, 5 Dartmouth Road, Dublin 6 D06 F9C7, Ireland.

COBRA TOOLS**272037** 05 December 2024

Class 7. Power drill bits; Drill bits for machines; Diamond drill bits for machines; Drill bits for rotary power tools.

Class 8. Drill bits for hand drills; Drill bits for hand operated tools; Diamond drill bits for hand-operated tools; Drill bits for use in hand tools.

GRANGE PARK INDUSTRIAL SUPPLIES LIMITED, 18 GRANGE PARK ROAD, RAHENY, DUBLIN 5, Ireland. Address for service is c/o GRANGE PARK INDUSTRIAL SUPPLIES LIMITED, C/o DAVE GAUGHAN, UNIT L3 CENTREPOINT, ROSEMOUNT BUSINESS PARK, BALLYCOOLIN D11 CD3D, Ireland.

**MOVE WELL TO LIVE
WELL****272038** 23 December 2024

Class 35. Demonstration of goods; direct mail advertising; distribution of samples; retail services connected with the sale of dietary supplements and dietetic preparations, herbal supplements and preparations, vitamins and vitamin preparations, food and drinks, health foods, nutritional supplements, pharmaceuticals.

Class 41. Education; education relating to health and fitness;

education relating to wellbeing; education relating to diet and nutrition; education relating to vitamin, mineral and herbal supplements; health and wellness training; information, advisory and consultancy services in relation to the aforesaid services.

Class 44. Health and medical care services; medical information and advice services; advisory services relating to medicines and nutritional supplements; advice relating to health and wellbeing; medical testing; diagnostic and screening services; medical diagnostic services; medical testing for diagnostic or treatment purposes; medical analysis services for diagnostic and treatment purposes; dietary and nutritional advice; information, advisory and consultancy services in relation to the aforesaid services.

Priority Date Claimed: 23 June 2024 United Kingdom

Holland & Barrett International Limited, Samuel Ryder House, Barling Way, Eliot Park, Nuneaton, Warwickshire CV10 7RH, United Kingdom. Address for service is c/o Holland & Barrett International Limited, C/o Jennifer Good, Holland & Barrett Limited, 45 Henry Street, Dublin D01 E9X8, Ireland.

HEY IRISH

272039 16 December 2024

- Class 14. Bracelets made of embroidered textile [jewelry].
- Class 25. Clothing, footwear and headgear.
- Class 26. Charms for shoes.

Tanya Kelly, Knockanarrigan, Glen of Imaal, Donard, Co Wicklow W91CXC7, Ireland. Address for service is c/o FRKelly, Waterways House, Grand Canal Quay, Dublin D02 PD39, Ireland.

STAHLWERK

272040 24 January 2013

- Class 7. Welding apparatus, in particular electronic welding apparatus; Plasma cutters
- Class 9. Auto-darkening welding helmets, Gloves for protection, Protective gowns, splashguards for the arms, all being for use when welding; Earth cables, power supply cables, compressed air supply lines, pressure regulators, electrodes, electrode holders, all being for welding apparatus and plasma cutters
- Class 40. Treatment of materials, namely: Welding

STAHLWERK Schweißgeräte Deutschland, e.K., Mary-Anderson-Straße 6, D-53332 Bornheim, Germany. Address for service is c/o Thomas Schaaf

BWL-Rechtsanwälte und Notare, Sparkassen-Karree 8, 58095 Hagen, Germany.

Opposition(s) under Section 43 of the 1996 Act

- 271574 Home Club Limited. Opposition filed 05 February 2025
- 271590 Flexera LTD. Opposition filed 05 February 2025
- 271601 STADA ARZNEIMITTEL AG. Opposition filed 11 February 2025
- 268703 DCC MANAGEMENT SERVICES LIMITED. Opposition withdrawn 14 February 2025

Revocation of Trade mark(s) under Section 51 of the Trade Marks Act, 1996

253702 Kerten Unlimited Company

Application(s) Withdrawn after Advertisement under the 1996 Act

- 271279 Colm Cleary
- 271346 SIA Velo Machine

Application(s) deemed to be Withdrawn under Section 45(2) of the 1996 Act

- 270685 Kajetan Semczuk
- 270688 George Richardson
- 270697 Chloe Walsh
- 270699 Lemuria Stores Ltd
- 270700 Khurram Iqbal
- 270723 Paula McGovern
- 270724 FamilyDoc Medical Services Limited
- 270727 Astec IT Services sp. z o.o.
- 270730 SAS JAY

270732 SAS JAY
270743 Viva Luxy ltd
270747 Cosmetic Creations Ltd

Trade Marks Registered under the 1996 Act

265257	(2442) Cl. 37 45. KENNETH TOHER	271453	(2527) Cl. 29. ORNUA Co-operative Limited
265257	(2442) Cl. 37 45. KENNETH TOHER	271455	(2527) Cl. 6 7 9. Kingspan Holdings (IRL) Limited
270933	(2522) Cl. 30. Fiachra Ó Braoin	271456	(2527) Cl. 1 5. Omex Agriculture Limited
271131	(2523) Cl. 44. ISAAC'S BARBER LIMITED	271465	(2527) Cl. 9. APPLE INC.
271140	(2523) Cl. 44. ISAAC'S BARBER LIMITED	271511	(2527) Cl. 9 35 36 42. FirstRand Bank Limited
271158	(2524) Cl. 29 30. DPB Meats Limited	271519	(2528) Cl. 41. Baking Memories
271160	(2524) Cl. 44. Desmond Medical Practice	271520	(2528) Cl. 21 25 40. Gratias Merchtech Services Limited
271161	(2524) Cl. 42. Jung Weon	271521	(2528) Cl. 36. Fawad Tariq Khan
271223	(2524) Cl. 9 41 42. WEKIT Experience Capturing Solutions Ltd.	271523	(2528) Cl. 42. Enterprise Holdings, Inc.
271244	(2525) Cl. 31. Openfolde Limited	271524	(2528) Cl. 5. Gilead Sciences Ireland UC
271245	(2525) Cl. 31. Openfolde Limited	271525	(2528) Cl. 5. Gilead Sciences Ireland UC
271253	(2525) Cl. 35 36. Karl Fitzpatrick	271526	(2528) Cl. 5. Gilead Sciences Ireland UC
271294	(2525) Cl. 16 21. Jennifer Ritchie	271528	(2528) Cl. 43. Liang Qiao Dong
271310	(2525) Cl. 37. Gillian Kelly	271529	(2528) Cl. 16 35 41. Furkan Karayel Yildiz
271325	(2526) Cl. 43 44 45. VIEC Holdings Limited	271531	(2528) Cl. 30. Caterforce Limited
271374	(2526) Cl. 9. Maxge Electric (Wuhu) Co., Ltd.	271532	(2528) Cl. 32. Caterforce Limited
271380	(2527) Cl. 35 39 43. FRESH & YUMMY GOURMET CATERING LIMITED	271533	(2528) Cl. 2 5 6 7 8 9 11 12 14 16 20 21 22 26 28 35. BANAGHAN & CO (STATIONERY) LTD
271387	(2527) Cl. 7. Ecobia Limited	271535	(2528) Cl. 3. Barry Dillon
271392	(2527) Cl. 9 16 36. Member First Credit Union Limited	271538	(2528) Cl. 41. MARTINA CALVEY
271397	(2527) Cl. 9 16 36. Member First Credit Union Limited	271540	(2528) Cl. 41. MARTINA CALVEY
271400	(2527) Cl. 9 16 36. Member First Credit Union Limited	271542	(2528) Cl. 1 5 31. Glanbia Nutritionals Limited
271411	(2527) Cl. 9. 3FeetSolutions Pty Limited	271544	(2528) Cl. 16 41 44. Patricia Flynn
271423	(2527) Cl. 16 21 41 43 44. Inside Out Nutrition Limited	271546	(2528) Cl. 36. Frank Lenny Financial Services Ltd.
271424	(2527) Cl. 9 42. Teamwork Crew Limited	271550	(2528) Cl. 29 30 32 43. CAFÉ CAFFEINE 19 LIMITED
271426	(2527) Cl. 9 42. Teamwork Crew Limited	271551	(2528) Cl. 9 16 41. Akademia Zentrum für Kommunikation und Bildung Gmb
271433	(2527) Cl. 16 45. Jonathan Bowers	271552	(2528) Cl. 5. Gilead Sciences Ireland UC
271449	(2527) Cl. 29. ORNUA Co-operative Limited	271554	(2528) Cl. 43. BIG MAMMA SAS
271450	(2527) Cl. 29. ORNUA Co-operative Limited	271555	(2528) Cl. 5. PINEWOOD LABORATORIES LIMITED
271451	(2527) Cl. 29. ORNUA Co-operative Limited	271558	(2528) Cl. 29 30 41 43. Kinara Restaurant Limited
271452	(2527) Cl. 29. ORNUA Co-operative Limited	271560	(2528) Cl. 44. AnnMarie McCarthy
		271561	(2528) Cl. 29. OrnuA Co-operative Limited
		271562	(2528) Cl. 30. Dunhills (Pontefract) Plc
		271563	(2528) Cl. 29 31 35 39 40 43. Musgrave Limited
		271571	(2528) Cl. 45. RONAN HYNES
		271572	(2528) Cl. 25 28. PGB SPORTS LIMITED
		271576	(2528) Cl. 30. Dunhills (Pontefract) Plc
		271577	(2528) Cl. 35 36 41. KR Live Limited
		271578	(2528) Cl. 3 21. The Procter & Gamble Company
		271579	(2528) Cl. 25 35 41. Sonya O'Dwyer

271580 (2528) Cl. 14. Shock of Grey Limited
271584 (2528) Cl. 5. Kilco (International) Ltd
271588 (2528) Cl. 12 37. Thomas Dennehy
271589 (2528) Cl. 30. John McEvoy
271591 (2528) Cl. 5. Gilead Sciences Ireland UC
271592 (2528) Cl. 44. Brian McEllistrem
271593 (2528) Cl. 29 30 31. TESCO STORES LIMITED
271594 (2528) Cl. 1 3 5 21 35. Caterforce Limited
271597 (2528) Cl. 18 25 35. Shop Direct Home Shopping Limited
271598 (2528) Cl. 9 11. Pure Engineering Group
271599 (2528) Cl. 5 29 30 32 35. DPB Meats Limited

Renewal of Registrations Under Section 48 of the 1996 Act

46157 Cl. 16. KOH-I-NOOR HARDTMUTH A.S.
46890 Cl. 5. Perrigo Pharma International DAC
48006 Cl. 6. Georg Fischer Aktiengesellschaft.
48007 Cl. 6. Georg Fischer Aktiengesellschaft.
50176 Cl. 34. Philip Morris Brands Sàrl
65749 Cl. 4, Cl. 6, Cl. 7, Cl. 8, Cl. 9, Cl. 12. Schaeffler Technologies AG & Co. KG
76032 Cl. 29. Breeo Brands Limited
76295 Cl. 5. Perrigo Pharma International DAC
110592 Cl. 33. LE CLUB DES MARQUES
111158 Cl. 16. SNAP FRANCHISING LIMITED
111566 Cl. 6. Cardinal Health 529, LLC
116181 Cl. 1, Cl. 4, Cl. 17. A.W. CHESTERTON COMPANY
116495 Cl. 32. Portfolio Concentrate Solutions Unlimited Company
139609 Cl. 32. RANI REFRESHMENTS FZCO
231932 Cl. 5. LABORATOIRE HRA - PHARMA
232432 Cl. 11, Cl. 21. SCHOTT AG
232453 Cl. 5. ROWEX LTD.
233452 Cl. 19, Cl. 20, Cl. 28. FINTAN O'KELLY & SON LTD.
234229 Cl. 31. WILLIAM CONNOLLY & SONS
251881 Cl. 14, Cl. 25. Heatons
252513 Cl. 29, Cl. 30, Cl. 31. Calbee Group (UK) Ltd
252572 Cl. 33. Lidl Stiftung & Co. KG
252581 Cl. 32. Clodagh Davis
252587 Cl. 12. Donal Murtagh
252639 Cl. 35, Cl. 41, Cl. 44. Dental Health Foundation

252889 Cl. 8, Cl. 9, Cl. 11, Cl. 18, Cl. 20, Cl. 21, Cl. 22, Cl. 24, Cl. 25, Cl. 35. Halfords Limited
252905 Cl. 43. LARAGON CATERING LTD, TRADING AS DRURY COURT HOTEL
253084 Cl. 19. Brett Martin Limited
253129 Cl. 35. Donal Murtagh
253284 Cl. 3, Cl. 5. Gojo Industries, Inc.
253776 Cl. 28. Yanmar Holdings Co., Ltd.
254206 Cl. 5. Perrigo Pharma International DAC
255571 Cl. 33. SIA "Amber Beverage Group"
257274 Cl. 6, Cl. 7, Cl. 9, Cl. 11, Cl. 17, Cl. 35, Cl. 42. Parker Intangibles LLC

Renewal Fees unpaid at date of expiry of Registration or renewal thereof - Rule 39(1) of the 1996 Rules

65295 Cl. 25. 31 January 2025. K-Mail Order 6. Invest GmbH & Co. KG
65392 Cl. 30. 01 January 2025. WM. WRIGLEY JR. COMPANY
65848 Cl. 33. 20 January 2025. Distillers Corporation Limited
66325 Cl. 25. 29 January 2025. TREVIRA GMBH
66365 Cl. 1. 24 January 2025. Bayer Aktiengesellschaft
66366 Cl. 2. 24 January 2025. Bayer Aktiengesellschaft
66431 Cl. 24. 29 January 2025. TREVIRA GMBH
66959 Cl. 22. 06 January 2025. Polyester High Performance GmbH
66960 Cl. 23. 06 January 2025. Polyester High Performance GmbH
66961 Cl. 24. 06 January 2025. Polyester High Performance GmbH
66962 Cl. 25. 06 January 2025. Polyester High Performance GmbH
75981 Cl. 5. 18 January 2025. NORTON HEALTHCARE LIMITED
76160 Cl. 7, Cl. 10, Cl. 11. 13 January 2025. Wella Operations US, LLC
76219 Cl. 3. 13 January 2025. Wella International Operations Switzerland Sàrl
76220 Cl. 3. 13 January 2025. Wella International Operations Switzerland Sàrl
76354 Cl. 3, Cl. 7, Cl. 8, Cl. 10. 13 January 2025. Wella Operations US, LLC
76358 Cl. 11. 13 January 2025. Wella Operations US, LLC

76780	Cl. 16. 13 January 2025. KOMPASS INTERNATIONAL NEUENSCHWANDER S.A.	231065	Cl. 14. 04 January 2025. CARRICK ART LIMITED
77072	Cl. 22. 08 January 2025. Wellman International Limited	231066	Cl. 30. 04 January 2025. Unilever IP Holdings B.V.
77268	Cl. 4. 19 January 2025. Chevron Intellectual Property LLC	231072	Cl. 10. 06 January 2025. Cordis US Corp
77984	Cl. 32. 29 January 2025. AB InBev UK Limited	231077	Cl. 5. 06 January 2025. Kenvue Inc.
109847	Cl. 1. 02 January 2025. DuPont Polymers, Inc.	231088	Cl. 3. 24 January 2025. Victoria's Secret Stores Brand Management, LLC.
109857	Cl. 5. 15 January 2025. Bayer Intellectual Property GmbH	231150	Cl. 3, Cl. 16. 17 January 2025. THE PROCTER & GAMBLE COMPANY
110132	Cl. 16. 08 January 2025. DATAQUEST INCORPORATED	231170	Cl. 44. 27 January 2025. ANN-ISOBELL GUCKIAN
110140	Cl. 34. 19 January 2025. Philip Morris Brands Sàrl	231226	Cl. 16. 30 January 2025. United Farmers Ltd.
110145	Cl. 25. 29 January 2025. WESTPORT CLOTHING LIMITED	231232	Cl. 41. 31 January 2025. FIRST PRINCIPLES, INC.
110418	Cl. 5. 25 January 2025. Bayer Intellectual Property GmbH	231465	Cl. 29, Cl. 30. 09 January 2025. Fox's Burton's Companies (FBC) UK Limited
110597	Cl. 9. 15 January 2025. TRISTAR PICTURES, INC.	231466	Cl. 29, Cl. 30. 09 January 2025. Fox's Burton's Companies (FBC) UK Limited
111279	Cl. 29. 03 January 2025. Switzerland Cheese Marketing AG (SCM)	231494	Cl. 43. 25 January 2025. LODESTAR ANSTALT
111771	Cl. 5. 22 January 2025. T.J. SMITH & NEPHEW LIMITED	231558	Cl. 35, Cl. 44. 19 January 2025. THE GRAFTON BARBER
112223	Cl. 5. 22 January 2025. T.J. SMITH & NEPHEW LIMITED	231567	Cl. 5, Cl. 42, Cl. 44. 26 January 2025. MEDA Pharma GmbH & Co. KG
112754	Cl. 33. 10 January 2025. Irish Distillers International Limited	231576	Cl. 9, Cl. 16, Cl. 41. 17 January 2025. Technological University Dublin
114650	Cl. 24. 24 January 2025. Keeco, LLC	231577	Cl. 29, Cl. 30. 19 January 2025. Kraft Foods UK Intellectual Property Limited
115223	Cl. 5. 09 January 2025. Actavis Group hf.	231605	Cl. 36. 06 January 2025. ChildFund Alliance
115526	Cl. 27. 17 January 2025. MARY QUANT LIMITED	231633	Cl. 9. 30 January 2025. Xtratherm Limited
115527	Cl. 27. 17 January 2025. MARY QUANT LIMITED	231672	Cl. 9, Cl. 16, Cl. 41. 17 January 2025. Technological University Dublin
128985	Cl. 6. 10 January 2025. HSBC Group Management Services Limited	231788	Cl. 29, Cl. 30. 19 January 2025. Kraft Foods UK Intellectual Property Limited
128987	Cl. 14. 10 January 2025. HSBC Group Management Services Limited	231790	Cl. 30. 16 January 2025. CADBURY UK LIMITED
128988	Cl. 16. 10 January 2025. HSBC Group Management Services Limited	231860	Cl. 5. 11 January 2025. ALDI STORES (IRELAND) LIMITED
128989	Cl. 18. 10 January 2025. HSBC Group Management Services Limited	231881	Cl. 35, Cl. 41. 25 January 2025. FAHY KELLY INTERNATIONAL LIMITED t/a FK INTERNATIONAL
128990	Cl. 25. 10 January 2025. HSBC Group Management Services Limited	231898	Cl. 30. 27 January 2025. CADBURY UK LIMITED
128991	Cl. 26. 10 January 2025. HSBC Group Management Services Limited	231971	Cl. 43. 23 January 2025. BLACK TITAN FRANCHISE SYSTEMS LLC
128992	Cl. 28. 10 January 2025. HSBC Group Management Services Limited	232220	Cl. 16. 30 January 2025. United Farmers Ltd.
128993	Cl. 34. 10 January 2025. HSBC Group Management Services Limited	232246	Cl. 25, Cl. 28. 18 January 2025. O'NEILLS IRISH INTERNATIONAL SPORTS COMPANY LIMITED
231007	Cl. 5. 03 January 2025. PFIZER PRODUCTS INC.	232356	Cl. 41. 31 January 2025. FIRST PRINCIPLES, INC.

232390	Cl. 33. 11 January 2025. BODEGAS TRAPICHE S.A.I.C.A.	252202	Cl. 5. 13 January 2025. Gilead Sciences Ireland UC
232541	Cl. 1, Cl. 2, Cl. 3, Cl. 4, Cl. 6, Cl. 20, Cl. 21, Cl. 25, Cl. 29, Cl. 30, Cl. 41, Cl. 43. 30 January 2025. PETER L. M. BAKER	252203	Cl. 38. 13 January 2025. Ahasan Ali
232542	Cl. 1, Cl. 2, Cl. 3, Cl. 25, Cl. 29, Cl. 30. 30 January 2025. PETER L.M BAKER	252216	Cl. 41. 14 January 2025. Pauric Mohan
232543	Cl. 1, Cl. 2, Cl. 3, Cl. 25, Cl. 29, Cl. 30. 30 January 2025. PETER L.M BAKER	252221	Cl. 35. 13 January 2025. LOCALMINT LIMITED
232871	Cl. 1, Cl. 5, Cl. 10, Cl. 11. 06 January 2025. ASP Global Manufacturing GmbH	252223	Cl. 2, Cl. 16, Cl. 19, Cl. 27. 15 January 2025. HHGL Limited
235090	Cl. 16. 13 January 2025. EXPRESS NEWSPAPERS	252225	Cl. 5. 13 January 2025. Gilead Sciences Ireland UC
235366	Cl. 38, Cl. 41, Cl. 42. 03 January 2025. SUPERSTATION, INC.	252226	Cl. 5. 13 January 2025. Gilead Sciences Ireland UC
240405	Cl. 3, Cl. 5, Cl. 42, Cl. 44. 27 January 2025. ROGER AOUN	252227	Cl. 5. 13 January 2025. Gilead Sciences Ireland UC
252156	Cl. 44. 05 January 2025. Beechfield Nursing Homes Limited	252228	Cl. 5. 13 January 2025. Gilead Sciences Ireland UC
252162	Cl. 33. 05 January 2025. Dublin Whiskey Distillery Co Ltd	252229	Cl. 12. 07 January 2025. PAUL HARTY
252166	Cl. 29. 03 January 2025. My Lunch Box Ltd.	252230	Cl. 36. 15 January 2025. LORD OF THE MANOR OF BUCKTOFTS AND BENNINGHOLME LTD
252168	Cl. 9, Cl. 35, Cl. 38, Cl. 42. 07 January 2025. HHH Group Sp. z o.o.	252232	Cl. 3, Cl. 4. 16 January 2025. Odel Grant
252169	Cl. 41. 07 January 2025. Cathal Dolan	252234	Cl. 29, Cl. 30. 16 January 2025. Pilgrim's Food Masters UK Limited
252173	Cl. 29, Cl. 30. 09 January 2025. Kerry Group Services International Limited	252236	Cl. 41. 17 January 2025. REBECCA KING
252177	Cl. 1, Cl. 30. 06 January 2025. Glanbia Nutritionals Limited	252238	Cl. 41. 18 January 2025. John Harrison
252178	Cl. 41. 09 January 2025. Gareth Kelly	252240	Cl. 31, Cl. 42, Cl. 43, Cl. 45. 19 January 2025. Edel Cooney
252180	Cl. 25. 06 January 2025. William Coughlan	252242	Cl. 12. 19 January 2025. Gillian Fanning
252185	Cl. 5. 13 January 2025. Gilead Sciences Ireland UC	252243	Cl. 29. 19 January 2025. BILL MADIGAN
252186	Cl. 5. 13 January 2025. Gilead Sciences Ireland UC	252245	Cl. 4. 19 January 2025. XL FUELS GROUP LTD
252187	Cl. 5. 13 January 2025. Gilead Sciences Ireland UC	252247	Cl. 30. 20 January 2025. PLADIS (UK) LIMITED
252188	Cl. 5. 13 January 2025. Gilead Sciences Ireland UC	252248	Cl. 17. 19 January 2025. DiaNia Technologies Ltd
252190	Cl. 5. 13 January 2025. Gilead Sciences Ireland UC	252252	Cl. 30, Cl. 43. 13 January 2025. IL VALENTINO CONTINENTAL BAKERY LIMITED
252191	Cl. 5. 13 January 2025. Gilead Sciences Ireland UC	252255	Cl. 3. 21 January 2025. COLGATE-PALMOLIVE COMPANY
252192	Cl. 5. 13 January 2025. Gilead Sciences Ireland UC	252263	Cl. 33. 19 January 2025. Dublin Whiskey Distillery Co.Ltd
252193	Cl. 5. 13 January 2025. Gilead Sciences Ireland UC	252266	Cl. 20. 21 January 2025. Jan Trzcinski
252194	Cl. 5. 13 January 2025. Gilead Sciences Ireland UC	252268	Cl. 35. 21 January 2025. Liam Brennan
252199	Cl. 5. 13 January 2025. Gilead Sciences Ireland UC	252271	Cl. 30. 23 January 2025. Aldi Stores (Ireland) Limited
252200	Cl. 5. 13 January 2025. Gilead Sciences Ireland UC	252272	Cl. 30. 23 January 2025. Aldi Stores (Ireland) Limited
252201	Cl. 5. 13 January 2025. Gilead Sciences Ireland UC	252279	Cl. 44. 24 January 2025. Ellevyn Irwin
		252283	Cl. 1, Cl. 5, Cl. 29, Cl. 30, Cl. 32. 05 January 2025. Kerry Group Services International Limited
		252287	Cl. 3. 08 January 2025. COURREGES PARFUMS

252292	Cl. 20. 22 January 2025. Stephen Botterill	252690	Cl. 42. 29 January 2025. TOMASZ MACIEJEWSKI
252295	Cl. 30. 27 January 2025. Oriel Sea Salt Company	252721	Cl. 35. 05 January 2025. PRINT SUPPLIES FRANCHISING LIMITED
252296	Cl. 41, Cl. 45. 27 January 2025. Irish Farm Safety Institute	252742	Cl. 9, Cl. 35, Cl. 42. 30 January 2025. Kerry Group Services International Limited
252298	Cl. 41. 28 January 2025. Louise Tottenham	252793	Cl. 9, Cl. 16, Cl. 25, Cl. 41. 08 January 2025. FLEADH CHEOIL NA HÉIREANN SLIGO 2015 EXECUTIVE COMMITTEE
252300	Cl. 9. 27 January 2025. CareFusion 303, Inc.	252794	Cl. 43. 09 January 2025. Declan Howard and Majella Cooney
252303	Cl. 36. 29 January 2025. Tun Capital Partners Limited	252796	Cl. 18, Cl. 25. 13 January 2025. Oanh Do
252308	Cl. 16, Cl. 35. 29 January 2025. LAWRENCE PARNIS	252827	Cl. 30. 20 January 2025. Aldi Stores (Ireland) Limited
252310	Cl. 41. 25 January 2025. David O'Connor	253298	Cl. 5. 09 January 2025. Cf Pharma Ireland Ltd
252311	Cl. 35, Cl. 42. 30 January 2025. Kerry Group Services International Limited	253358	Cl. 25. 29 January 2025. TOMASZ MACIEJEWSKI
252312	Cl. 35, Cl. 42. 30 January 2025. Kerry Group Services International Limited	253646	Cl. 29, Cl. 30. 27 January 2025. Pilgrim's Food Masters Ireland Limited
252313	Cl. 9, Cl. 42. 30 January 2025. Richard Bowden	253673	Cl. 6, Cl. 9, Cl. 19, Cl. 38, Cl. 41, Cl. 42. 26 January 2025. Newgrange Headstone Monuments Limited
252314	Cl. 35. 01 February 2025. Paul Courtney	254009	Cl. 38. 27 January 2025. Sensus Spectrum LLC
252344	Cl. 32. 30 January 2025. CUIDEACHTA BEOIR UACHTAR ARD TEORANTA	254259	Cl. 10. 20 January 2025. CHURCH & DWIGHT CO., INC.
252345	Cl. 32. 30 January 2025. CUIDEACHTA BEOIR UACHTAR ARD TEORANTA		
252353	Cl. 32. 16 January 2025. Fashionflo Limited		
252358	Cl. 41. 29 January 2025. Annie West		
252371	Cl. 29, Cl. 30. 20 January 2025. Boyne Valley		
252375	Cl. 32. 30 January 2025. CUIDEACHTA BEOIR UACHTAR ARD TEORANTA		
252376	Cl. 5. 26 January 2025. Complex Nutrition Limited		
252400	Cl. 5. 13 January 2025. Gilead Sciences Ireland UC		
252403	Cl. 5. 21 January 2025. A Nelson & Co Limited	45373	Cl. 30. Robert Roberts Limited
252404	Cl. 32. 26 January 2025. KRULIS EUROPE TRADING LTD	64418	Cl. 5. GLAXO GROUP LIMITED
252413	Cl. 41. 28 January 2025. SADDAM HOSSAIN	64661	Cl. 25. FASHION APPAREL AND ACCESSORIES LIMITED
252419	Cl. 9, Cl. 10, Cl. 11, Cl. 12, Cl. 20, Cl. 25, Cl. 28. 05 January 2025. Aldi Stores (Ireland) Limited	65335	Cl. 23. S.N.C. TEXIDEAL
252422	Cl. 3, Cl. 5. 29 January 2025. Cordar Pharmacy Limited	67728	Cl. 1, 2. KRONOS TITAN GMBH
252441	Cl. 14. 14 January 2025. Patek Philippe Geneve SA	75262	Cl. 10. ICU Medical, Inc.
252516	Cl. 36, Cl. 41. 09 January 2025. Custom House Quarter Limited	75406	Cl. 5. GLAXO GROUP LIMITED
252533	Cl. 30. 26 January 2025. Huichan Fan	75558	Cl. 1. Ecolab USA Inc.
252537	Cl. 16. 28 January 2025. Omnia Veritas Ltd	76064	Cl. 30. HANNA-BARBERA PRODUCTIONS, INC.
252663	Cl. 5. 13 January 2025. Gilead Sciences Ireland UC	76572	Cl. 31. HANNA-BARBERA PRODUCTIONS, INC.
		76573	Cl. 5. BABYGRO LIMITED
		108460	Cl. 9. Orafol Americas Inc.
		108461	Cl. 17. Orafol Americas Inc.
		108621	Cl. 18, 25, 28. KABUSHIKI KAISHA ASICS (ASICS CORPORATION)
		108812	Cl. 34. US Smokeless Tobacco Company LLC

Trade Marks Removed from the Register under Section 48 and Rule 39(2) of the 1996 Act and Rules.

109380	Cl. 24. VENINOV	233218	Cl. 41, 43. COCOON HEAD START CENTRES LIMITED
110364	Cl. 5. Heraeus Kulzer GmbH	234267	Cl. 25. AHLERS AG.
110365	Cl. 10. Heraeus Kulzer GmbH	242582	Cl. 44. BOEHRINGER INGELHEIM INTERNATIONAL GMBH
113311	Cl. 3. L'OREAL	251060	Cl. 14. Angela Cuthill
229756	Cl. 30. Unilever IP Holdings B.V.	251080	Cl. 9. Northwood Technology Ltd
229773	Cl. 5. OTSUKA PHARMACEUTICAL CO., LTD.	251082	Cl. 16. M&M ENTERPRISES LTD
229826	Cl. 10. Integra LifeSciences Switzerland Sàrl	251083	Cl. 25. Aldi Stores (Ireland) Limited
229830	Cl. 9, 38. BRITISH TELECOMMUNICATIONS public limited company	251084	Cl. 30. Aldi Stores (Ireland) Limited
229834	Cl. 30, 40. MICHAEL J KELLY	251095	Cl. 9, 16, 41. Raidió Teilifís Éireann
229871	Cl. 5. GlaxoSmithKline Consumer Healthcare Holdings (US) LLC	251097	Cl. 29, 30, 31. Aldi Stores (Ireland) Limited
229943	Cl. 10. JOHNSON & JOHNSON	251106	Cl. 17, 19. Knauf Insulation Holding GmbH
229946	Cl. 10. JOHNSON & JOHNSON	251113	Cl. 32. CARRIG BEERS LIMITED
229948	Cl. 36. Jefferies Group LLC	251115	Cl. 16. Aldi Stores (Ireland) Limited
229952	Cl. 5. BASF SE	251124	Cl. 3. HFC Prestige International Operations Switzerland Sarl
229967	Cl. 30. MR. BERNARD COYLE	251125	Cl. 9, 36, 38. Cemood Ltd.
229977	Cl. 5. Wyeth LLC	251129	Cl. 38, 41. BAUER MEDIA AUDIO IRELAND LP
229983	Cl. 16. ELECTRICITY SUPPLY BOARD	251131	Cl. 19. Oliver Sharkey
230040	Cl. 43. PIZZERIA UNO CORPORATION	251133	Cl. 33. C&C IP UK LIMITED
230101	Cl. 5. BAUSCH & LOMB INCORPORATED	251134	Cl. 33. C&C IP UK LIMITED
230124	Cl. 16, 36, 41, 44. IRISH CANCER SOCIETY	251136	Cl. 1, 5, 29, 30, 32. Kerry Group Services International Limited
230135	Cl. 25. ALDI STORES (IRELAND) LIMITED	251138	Cl. 18. Peter van der Goudenhart
230137	Cl. 30. WEETABIX LIMITED	251139	Cl. 29. ASIA MARKET LTD
230140	Cl. 5. NORTON HEALTHCARE LIMITED	251140	Cl. 35. BEUTIFI LTD
230159	Cl. 3, 5, 10, 16, 35, 40, 44. BOFH HOLDINGS LIMITED TRADING AS HEALTH EXPRESS	251142	Cl. 16. PATRICK GORMAN T/A RAINBOW PUBLICATIONS
230393	Cl. 5, 10. GLAXO GROUP LIMITED	251143	Cl. 32, 33. Mairead Reilly
230427	Cl. 16, 36, 42, 44. VHI Insurance Designated Activity Company	251150	Cl. 30. ANWAR KHAN
230428	Cl. 16, 36, 42, 44. VHI Insurance Designated Activity Company	251153	Cl. 29, 30. Pilgrim's Food Masters UK Limited
230429	Cl. 16, 36, 42, 44. VHI Insurance Designated Activity Company	251156	Cl. 44. Netherland Waxing
230430	Cl. 16, 36, 42, 44. VHI Insurance Designated Activity Company	251157	Cl. 41. Stephen Saleh
230641	Cl. 16, 36, 42, 44. VHI Insurance Designated Activity Company	251158	Cl. 30. Unilever IP Holdings B.V.
230711	Cl. 3. L'Oreal	251159	Cl. 29, 32. Aquachia Ltd
230751	Cl. 41. THE NETWORK CLUB LTD	251160	Cl. 36. Alan Donohoe
230778	Cl. 9, 42. CORVIL LIMITED	251161	Cl. 41. TPAssist Limited
231142	Cl. 3. L'Oreal	251169	Cl. 43. PETER CAMPBELL
231760	Cl. 5. Wyeth LLC	251179	Cl. 41. Robert Taaffe
231794	Cl. 18, 25, 35. FL Europe Holdings, Inc.	251181	Cl. 20, 37, 42. AB Wood Products Ltd
233060	Cl. 5, 10. NORTON HEALTHCARE LIMITED	251183	Cl. 44. LETTERKENNY YOUTH & FAMILY SERVICE LTD
		251184	Cl. 41. WHITE LION INVESTMENTS LIMITED
		251186	Cl. 44. FRANCES FLANNERY
		251187	Cl. 41. Career Perspectives Ltd
		251188	Cl. 41. Cheryl Leahy and Colm Leahy
		251190	Cl. 9. Cartridge Green Ltd
		251191	Cl. 35. PHOENIX International Holdings GmbH
		251192	Cl. 35, 41, 42. Liam Hurrell

251196 Cl. 18, 25. Trendiano Investment Limited
251199 Cl. 9, 38, 42. Oisín Zimmermann
251200 Cl. 31. BELKACEM MENSOURI
251205 Cl. 9, 42. Frank McGuinness
251206 Cl. 44. Irish Woodland Services and consulting
251208 Cl. 41. Kate Sherry
251211 Cl. 9, 11, 14, 21. Fab Studio Ltd.
251212 Cl. 16. ALLIED IMPORTS LTD.
251213 Cl. 9. Emoji Technologies Limited
251218 Cl. 42. Penta Networks Ltd
251226 Cl. 35, 42. Caroline Kehoe
251237 Cl. 4, 36. FUEL DISTRIBUTORS ASSOCIATION OF IRELAND
251243 Cl. 29, 30. Robert Roberts Limited
251252 Cl. 9, 42. John Twomey
251254 Cl. 9, 16, 41. Green Cross Training Limited
251256 Cl. 18, 25. TRENDY INTERNATIONAL INVESTMENT LIMITED
251257 Cl. 3. STUART FOSTER
251266 Cl. 29, 31, 32, 39. WILLIAM P. KEELING & SONS UNLIMITED COMPANY
251279 Cl. 9. TRYBER LTD
251280 Cl. 9. TRYBER LTD
251283 Cl. 25, 28, 41. FERRERO S.p.A.
251286 Cl. 29, 30, 31. Aldi Stores (Ireland) Limited
251292 Cl. 29. Aldi Stores (Ireland) Limited
251299 Cl. 41, 42. Ms Eithne Cusack
251301 Cl. 35. Alma Doyle
251411 Cl. 29, 30. Robert Roberts Limited
251461 Cl. 44. GERARD EGAN
251464 Cl. 1. Machan Biotech Intl Ltd
251523 Cl. 29, 30, 31. Aldi Stores (Ireland) Limited
251639 Cl. 1, 5. PRECISIONBIOTICS GROUP LIMITED
251663 Cl. 33. J. Larrauri Abogados, S.L.
251664 Cl. 33. BVC BODEGAS, S.L.
251697 Cl. 35. MARIUSZ OLECHNOWSKI
251738 Cl. 41. BRIDGE HOUSE HOTEL LIMITED
251744 Cl. 1, 2, 3, 4, 7, 8, 9, 11, 14, 16, 18, 20, 21, 22, 23, 24, 25, 26, 27, 28, 29, 30, 31, 32, 35. DUNNES STORES
251753 Cl. 1, 2, 3, 4, 7, 8, 9, 11, 14, 16, 18, 20, 21, 22, 23, 24, 25, 26, 27, 28, 29, 30, 31, 32, 35. DUNNES STORES
251754 Cl. 30. CADBURY UK LIMITED
251764 Cl. 9. NEILUS MURPHY
251765 Cl. 9. NEILUS MURPHY
251769 Cl. 14, 16, 25, 28. Denise Horan
251809 Cl. 32. Drew Fox Brewing limited

251866 Cl. 9, 16, 25, 28, 35, 38, 41. UKTV MEDIA LIMITED
251867 Cl. 38, 44. Helix Health Group Limited
251873 Cl. 29, 30. Frito-Lay Trading Company GmbH
251956 Cl. 1, 4, 9, 35, 36, 37, 38, 39, 40, 42. Ervia
252121 Cl. 5, 9, 41, 44. iFAST-12 Healthcare Ltd
252293 Cl. 29, 30. Kerry Luxembourg S.à.r.l.
252551 Cl. 9, 16, 35, 36, 39, 41. Fáilte Ireland
253034 Cl. 44. CHAPMAN CHIROPRACTIC
253399 Cl. 9, 38. LISTO LIMITED
253872 Cl. 31. SOCIETE DES PRODUITS NESTLE S.A.
254980 Cl. 37. TARGETED INVESTMENT OPPORTUNITIES PLC

Leave to Alter Trade Mark(s) Registered under the 1996 Act, Granted

231201 Cl. 35 41. GORDON RICHARDSON
 A representation of the mark in its altered form was advertised in Journal No: 2266

safetydot.com

270668 Cl. 33. Amy Wine Ltd
 A representation of the mark in its altered form was advertised in Journal No: 2518

This story is up for grabs.
Write it your way. Pens sold separately.

Ah. _____

 / /

International Registrations under the Madrid Protocol seeking protection in the State.

Any person desiring to oppose the conferring of protection in the State to the undermentioned marks may, within three months from the date of this Journal give notice to the Controller, in accordance with the provisions of Rule 18.

It should be noted that under the provisions of Rule 63(2) no extension of the opposition period is allowed for lodging opposition under Rule 18.

It is desirable before lodging formal opposition that a communication should be addressed to the holder affording him an opportunity to withdraw his application for protection of the International Registration in the State. In this way cost of opposition proceedings may be avoided.



1538923 03/04/2020

Class 9. Apparatus and instruments for recording, transmitting, processing, mixing, sending, switching, storing, outputting, playing or reproduction of sound, images, text or data; data, sound or image processing equipment and computers, in particular control desks, control panels, sound, music and film mixing consoles and equipment, playback machines, equalizers, filters, input, output and monitoring apparatus, aural monitoring apparatus, level meters, loudspeakers, audio level oscillators, digital reverberators, correlation gradulators, apparatus for digital and analog signal processing, amplifiers, computer-aided loop control devices for use with all the aforesaid goods; sound, film

and data carriers; computer programs and software; simulation software; parts and fittings for all the aforesaid goods.

Mark Vallance Crabtree and Barnett Waddingham Trustees Limited as Trustees of the Advanced Music Systems Executive Pension Scheme, Billington Road, Burnley, Lancashire BB11 5UB, United Kingdom

Representative: Wilson Gunn, 5th Floor, Blackfriars House, The Parsonage, Manchester M3 2JA, United Kingdom

1576924 16/12/2024

Class 18. Gaiters for animal legs; equine leg wraps; leather and

imitations of leather, furs and animal skins and articles thereof, namely luggage, bags, fur saddles, lambskin pads, lambskin saddle seats, lambskin saddle pads, pads of woven fur for riding saddles, leather straps for whips; saddlery, namely blanket girths of rubber, mane rubbers, rings of rubber for blanket fastenings, hoof bells/jumping bells of rubber, rubber rings for stirrups, hoof rings of rubber, rubber bits, spur protection of rubber, saddle pads of synthetic rubber, hoof bells/jumping bells of synthetic rubber, fly ears/hoods for horses; whips; harnesses; saddlery, in particular straps for harnesses, stirrups or for saddles, lunging girths and lines, vaulting surcingles, snaffles, bridles; collars for animals; leads for animals; covers for animals; horse blankets; saddlecloths for horses; fly masks for animals; horse fly sheets; luggage; bags; wallets.

Class 25. Clothing; footwear; headgear; leisure shoes and sports shoes; leisurewear and sportswear.

Pferdesporthaus Loesdau GmbH & Co KG,
Hechinger Str. 58, 72406 Bisingen, Germany

Representative: Eversheds Sutherland
(Germany) Rechtsanwälte
Steuerberater Solicitors
Partnerschaft mbB, Briennerstr.
12, 80333 München, Germany



1802782 15/03/2024

Class 20. Furniture, made of any kind of material; mattresses; pillows; air mattresses and cushions, not for medical purposes, water beds; mirrors; beehives, artificial honeycombs and sections of wood for honeycombs; beehives, artificial honeycombs and sections of wood for honeycombs; display boards, frames for pictures and paintings, identity plates, plastic identification bracelets, name plates, identification tags, made of wood or synthetic materials; packaging containers of wood or plastics; casks for use in transportation or storage; non-metallic barrels, storage drums, tanks, boxes, storage containers, transportation containers, chests, loading pallets and closures for the aforementioned goods, made of wood or plastics; furniture fittings, of wood or synthetic materials, opening and closing mechanisms of wood or synthetic materials; ornaments and decorative goods of wood, cork, reed, cane, wicker, horn, bone, ivory, whalebone, shell, amber, mother-of-pearl, meerschaum, beeswax, plastic or plaster namely figurines, holiday ornaments

	for walls, sculptures, trophies; baskets, not of metal, fishing baskets; kennels, nesting boxes and beds for household pets; portable ladders and mobile boarding stairs of wood or synthetic materials; bamboo curtains, roller indoor blinds [for interiors], slatted indoor blinds, vertical indoor blinds, bead curtains for decoration, curtain hooks, curtain rings, curtain tie-backs, curtain rods; non-metal wheel chocks.		fittings, of wood or synthetic materials, opening and closing mechanisms of wood or synthetic materials, ornaments and decorative goods of wood, cork, reed, cane, wicker, horn, bone, ivory, whalebone, shell, amber, mother-of-pearl, meerschaum, beeswax, plastic or plaster namely figurines, holiday ornaments for walls, sculptures, trophies, baskets, not of metal, fishing baskets, kennels, nesting boxes and beds for household pets, portable ladders and mobile boarding stairs of wood or synthetic materials, bamboo curtains, roller indoor blinds [for interiors], slatted indoor blinds, vertical indoor blinds, bead curtains for decoration, curtain hooks, curtain rings, curtain tie-backs, curtain rods, non-metal wheel chocks, woven or non-woven textile fabrics, textile goods for household use, curtains, bed covers, sheets (textile), pillowcases, blankets, quilts, towels, flags, pennants, labels of textile, swaddling blankets, sleeping bags for camping,
Class 24.	Woven or non-woven textile fabrics; textile goods for household use, not included in other classes: curtains, bed covers, sheets (textile), pillowcases, blankets, quilts, towels; flags, pennants, labels of textile; swaddling blankets; sleeping bags for camping.		
Class 35.	The bringing together, for the benefit of others, of a variety of goods, namely, furniture, made of any kind of material, mattresses, pillows, air mattresses and cushions, not for medical purposes, water beds, mirrors, beehives, artificial honeycombs and sections of wood for honeycombs, beehives, artificial honeycombs and sections of wood for honeycombs, display boards, frames for pictures and paintings, identity plates, identification bracelets, name plates, identification tags, made of wood or synthetic materials, packaging containers of wood or plastics, casks for use in transportation or storage, barrels, storage drums, tanks, boxes, storage containers, transportation containers, chests, loading pallets and closures for the aforementioned goods, of wood or plastics, furniture		enabling customers to conveniently view and purchase those goods, such services may be provided by retail stores, wholesale outlets, by means of electronic media or through mail order catalogues.
			TAŞKIRANLAR HALI PAZARLAMA MOBİLYA İNŞAAT SANAYİ VE TİCARET ANONİM ŞİRKETİ, YEŞİLOVA MAH. KAMİL TUNCA CAD. 273 A, Bornova, İzmir, Türkiye
		Representative:	NORMPATENT Marka Patent Tasarım ve Danışmanlık Ticaret Ltd. Şti., Erzene Mah. 53 Sokak Barış Apt., No:8 Daire:2, Bornova, İZMİR, Türkiye

CLASSY·KISS

1804512 09/05/2024

- Class 5. Medicinal drinks; dietary fibre; vitamin supplement patches; infant formula; protein dietary supplements; milk sugar for pharmaceutical purposes; dietetic foods adapted for medical purposes; dietetic beverages adapted for medical purposes; glucose dietary supplements; nutritional supplements; food for babies; enzyme dietary supplements; whey protein dietary supplements; depuratives; dietary supplements for animals; wipes impregnated with disinfectants for hygiene purposes; aseptic cotton; babies' napkins; dental abrasives; diapers for pets.
- Class 29. Meat; seaweed extracts for food; fish, not live; fish-based foodstuffs; fruits, canned; fruit-based snack food; fruit salads; vegetables, preserved; eggs; milk products; yoghurt; cheese; cream [dairy products]; milk beverages, milk predominating; lactic acid drinks; oils for food; jellies for food, other than confectionery; nuts, prepared; tofu; sausage casings, natural or artificial.
- Class 30. Coffee; coffee beverages with milk; tea; tea-based beverages; sugar; honey; milk puddings; instant rice; cereal preparations; noodles; cereal-based snack food; thickening agents for cooking foodstuffs; frozen yoghurt [confectionery ices]; ice cream; cooking salt;
- vinegar; seasonings; yeast; aromatic preparations for food; preparations for stiffening whipped cream.
- Class 32. Beer; beer wort; beer-based cocktails; non-alcoholic beer; table waters; fruit juice; whey beverages; waters [beverages]; seltzer water; soda water; non-alcoholic beverages; smoothies; protein-enriched sports beverages; vegetable juices [beverages]; soft drinks; energy drinks; preparations for making non-alcoholic beverages; syrups for beverages; preparations for making aerated water.
- Class 35. Advertising; demonstration of goods; shop window dressing; presentation of goods on communication media, for retail purposes; business management assistance; commercial administration of the licensing of the goods and services of others; market studies; organization of exhibitions for commercial or advertising purposes; sales promotion for others; marketing; personnel recruitment; business management for freelance service providers; data processing services [office functions]; search engine optimization for sales promotion; accounting; rental of vending machines; sponsorship search; rental of sales stands; rental of cash registers; retail services for pharmaceutical, veterinary and sanitary preparations and medical supplies.
- Class 43. Canteen services; café services; decorating of food; take-away restaurant services; hotel accommodation services; rental of transportable buildings; rental of meeting

rooms; retirement home services; day-nursery [crèche] services; boarding for animals; rental of chairs, tables, table linen, glassware; rental of cooking apparatus; rental of lighting apparatus; rental of drinking water dispensers; rental of kitchen sinks.

Priority Date Claimed: 15 April 2024 China

Priority Date Claimed: 15 April 2024 China

Priority Date Claimed: 15 April 2024 China

Priority Date Claimed: 15 April 2024 China

Priority Date Claimed: 15 April 2024 China

Priority Date Claimed: 15 April 2024 China

CLASSY KISS DAIRY (SHENZHEN) CO., LTD.,
DongFang Road, DaTianyang Industrial Park,
DongFang Village, SongGang Street, Baoan District,
Shenzhen, 518105 Guangdong, China

Representative: Beijing Ruilan International
Intellectual Property Services
Co., Ltd., 1516-F055, 15th
Floor, Building 10, Baiqiang
Avenue, Fengtai District,
Beijing, China

Address for
service: Murgitroyd & Company
Limited, Second Floor 57
Adelaide Road, Lesson Street
Lower, Dublin Dublin 2,
Ireland



1805294 15/02/2024

Class 7. Engines and motors, other than for land vehicles, parts and fittings therefor: hydraulic and pneumatic

controls for engines and motors, brakes other than for vehicles, brake linings for engines, crankshafts, gearboxes, other than for land vehicles, cylinders for engines, pistons for engines, turbines, not for land vehicles, filters for engines and motors, oil, air and fuel filters for land vehicle engines, exhausts for land vehicle engines, exhaust manifolds for land vehicle engines, engine cylinders for land vehicles, engine cylinder heads for land vehicles, pistons for land vehicle engines, carburetors for land vehicles, fuel conversion apparatus for land vehicle engines, injectors for land vehicle engines, fuel economisers for land vehicle engines, pumps for land vehicle engines, valves for land vehicle engines, starter motors for land vehicles, dynamos for land vehicle engines, sparking plugs for land vehicle engines; electric motors used in application and machinery equipment such as cranes, compressors, pumps, fans, conveyors, mixers, mills, crushers, shredders.

Class 35. Advertising, marketing and public relations; organization of trade fairs and exhibitions for commercial purposes; development of advertising concepts; providing an online marketplace for buyers and sellers of goods and services; providing office functions; secretarial services; arranging newspaper subscriptions for others; compilation of statistics; rental of office machines; systemization of information into computer databases; telephone answering for unavailable subscribers; business management; business

administration and business consultancy; accounting services; commercial consultancy services; personnel recruitment; personnel placement; employment agencies; import-export agencies; temporary personnel placement services; auctioneering; the bringing together, for the benefit of others, of a variety of goods, namely, engines and motors, other than for land vehicles, parts and fittings therefor: hydraulic and pneumatic controls for engines and motors, brakes other than for vehicles, brake linings for engines, crankshafts, gearboxes, other than for land vehicles, cylinders for engines, pistons for engines, turbines, not for land vehicles, filters for engines and motors, oil, air and fuel filters for land vehicle engines, exhausts for land vehicle engines, exhaust manifolds for land vehicle engines, engine cylinders for land vehicles, engine cylinder heads for land vehicles, pistons for land vehicle engines, carburetors for land vehicles, fuel conversion apparatus for land vehicle engines, injectors for land vehicle engines, fuel economisers for land vehicle engines, pumps for land vehicle engines, valves for land vehicle engines, starter motors for land vehicles, dynamos for land vehicle engines, sparking plugs for land vehicle engines, electric motors used in application and machinery equipment such as cranes, compressors, pumps, fans, conveyors, mixers, mills, crushers, shredders, enabling customers to conveniently view and purchase those

goods, such services may be provided by retail stores, wholesale outlets, by means of electronic media or through mail order catalogues.

ELK MOTOR SANAYİ VE TİCARET ANONİM ŞİRKETİ, ATATÜRK MAH. LOZAN CAD., YILMAZ REDÜKTÖR 17 ESENYURT, İSTANBUL, Türkiye

Colour Claimed: Red and black.

Representative: YEDİ KITA PATENT LİMİTED ŞİRKETİ, ORUÇ REİS MAHALLESİ TEKSTİLKENT, CAD. NO:12 B KOZA PLAZA A BLOK K:1 OFİS:34, ESENLER, İSTANBUL, Türkiye

Registration of this Trade Mark gives no right to the exclusive use of Motor.

OUTLOUD

1806088 14/02/2024

Class 15. Musical instruments; mechanical musical instruments; pedals for musical instruments; electronic musical apparatus and instruments; electric and electronic musical instruments; electronic musical apparatus for accompaniment; musical instruments incorporating arrangements for modifying audio signals.

Priority Date Claimed: 25 September 2023 United Kingdom

InTime Audio Limited, YM&U GROUP, 4th Floor,
180 Great Portland Street, London W1W 5QZ,
United Kingdom

SNACK SECURITY

1813141 11/03/2024

Class 29. Apple chips; vegetable crisps; potato crisps; kale chips; legume-based snack foods; nut-based snack foods; plantain chips; potato chips; potato-based snack foods; puffed vegetable-based snack foods; snack bars containing compressed fruit, vegetables, nuts and/or potato; nuts, seeds and/or dried fruit-based snack foods; snack mixes namely packeted food containing nuts, seeds and/or dried fruit-based snack food; soy chips; vegetable chips; vegetable-based snack foods; yuca chips.

Class 30. Bagel chips; cereal-based snack foods; corn chips; corn-based snack foods; crackers; cereal-based food bars; grain based snack foods; granola-based snack foods; multi-grain based snack foods; pita chips; pretzel chips; pretzels; puffed corn snacks; puffed grain-based snack foods; quinoa-based snack food; rice-based snack foods; cereal-based snack bars; grain-based snack bars; granola-based snack bars; rolled oats snack foods; cereal-based snack mixes; grain-based snack mixes; granola-based snack mixes; tortilla chips; snack mixes

namely packeted food containing loose rolled oats.

Class 43. Charitable services, namely, distributing free snacks across food deserts in major metropolitan areas; charitable services, namely, partnering with non-profit organizations and groups in order to distribute free snacks across food deserts in major; charitable services, namely, partnering with distributors in order to facilitate the distribution of free snacks across food deserts in major.

Priority Date Claimed: 11 September 2023 United States of America

Earthly Treats, Inc., 100 Passaic Avenue, Suite 100,
Fairfield NJ 07004, United States of America

Representative: Allyson M. Madrid
BraunHagey & Borden LLP,
747 Front Street, 4th Floor, San
Francisco CA 94111, United
States of America

Address for
service: EIMER BRENNAN,
PurdyLucey Intellectual
Property, 23 Ely Place, Dublin
2 D02 N285, Ireland

SUPIMA

1814431 13/09/2024

Class 25. Pants, shorts, tank tops, dresses, jackets, sweaters, sweatshirts, fleece, children's clothing, lounge wear, pajamas.

Class 35. Organization of trade fairs and exhibitions for commercial or advertising purposes; commercial

administration of the licensing of the goods and services of others; business management, operation, organization and administration of a commercial or industrial enterprise; advertising, marketing and promotional services.

Priority Date Claimed: 28 August 2024 United States of America

SUPIMA, 1710 W. Ranch Road, Suite 205, Tempe AZ 85284, United States of America

Representative: Charles F. Hauff, Jr. Snell & Wilmer LLP, One East Washington Street, Suite 2700, Phoenix AZ 85004, United States of America

Address for service: TOMKINS & CO., 5 Dartmouth Road, Dublin 6, Ireland



The logo for 'nutella donut' features the word 'nutella' in a bold, lowercase, red sans-serif font, with the word 'donut' in a smaller, lowercase, brown script font positioned directly below it.

1823258 04/10/2024

Class 30. Pastries; cakes; doughnuts.

Priority Date Claimed: 19 April 2024 Benelux

SOREMARTEC S.A., 16, Route de Trèves, L-2633 Senningerberg, Luxembourg

Colour Claimed: Black, red and brown.

Notings: IR 1823258 is proceeding to registration with the consent of Registered European Union Trade Mark No:W01073241.

Representative: Jacobacci & Partners S.p.A., Corso Emilia 8, I-10152 Torino, Italy



The logo for 'UAD LTD' consists of the letters 'UAD' in a large, bold, black, stylized sans-serif font. The 'U' and 'A' are connected, and the 'D' has a distinctive shape. Below 'UAD' is the text 'LTD' in a smaller, black, sans-serif font.

1824962 19/06/2024

Class 6. Articles of metal hardware; locks (metal); latches (metal); keys (metal); metal locksets; padlocks of metal, other than electronic; door furniture and door fittings of metal; door catches of metal; door surrounds and door panels, all being principally made of metal; door chains of metal; letter-boxes of metal; letter-box covers and flaps of metal; letter-plates of metal; window furniture and window fittings of metal; window and door restrictors; metal hinges for windows and doors; door knockers of metal; metal bump keys for locksmithing; metal window locks; metal window fasteners; metal window stops; metal house numbers; metal door handles; metal window handles; safety fittings of metal for windows; metal door viewers (non-magnified); metal child safety products for windows and

- doors; parts and fitting for all the aforesaid goods.
- Class 9. Door viewers (peepholes); door locks (electric); digital door locks; electronic lock decoders; card readers for magnetic cards; card reading equipment; electronic key cards; encoded key cards; card operated electronic locks; protective masks; gloves for protection against accident or injury; clothing for protection against accident or injury; protective and safety equipment; face protection shields; protective footwear; protective eyewear; parts and fittings for all the aforesaid goods.
- Class 19. Building materials and construction materials and elements, not of metal; non-metal doors; non-metal windows; closures, not of metal;

Priority Date Claimed: 17 June 2024 United Kingdom

UAP Limited, Orbital 60 Dumers Lane, Bury BL9 9UE, United Kingdom

Representative: Meissner Bolte (UK) Limited,
4a Top Land Country Business
Park, Cragg Vale, Hebden
Bridge, West Yorkshire HX7
5RW, United Kingdom

Address for service: John Milligan, c/o Mason
Hayes & Curran LLP, South
Bank House, Barrow Street,
Dublin D04TR29, Ireland

- Class 9. Downloadable computer application software for internet-connected, mobile phones and tablets, namely, software for enabling boaters and marine service companies to manage and share data, inventory and specifications pertaining to marine vessels; downloadable computer application software for use with internet-connected, mobile phones and tablets, namely, software for enabling boaters and marine service companies to manage and share data, inventory and specifications of and pertaining to marine vessels; downloadable augmented reality software for use with internet-connected, mobile phones and tablets for integrating electronic data with real world environments for the purpose of enabling boaters and marine service companies to manage and share data, inventory and specifications of and pertaining to marine vessels.

- Class 42. Providing on-line non-downloadable software that enables users, namely, boaters and marine service companies, to manage and share data, inventory and specifications of and pertaining to marine vessels via the Internet

Durban Equity Holdings II, LLC, 935 N Beneva Rd,
Ste 609 PMB 2056, Sarasota FL 34232, United
States of America

YACHTWAVE

KITCHEN WORKS.

1831449 16/10/2024

- Class 35. Rental of vending machines; online ordering services in the field of restaurant take-out and delivery; retail services for cooked dishes, hot and cold beverages, bakery products, pastry products, dairy products, sandwiches, snack food and snacks.
- Class 39. Replenishment of vending machines; replenishment of connected refrigerators; rental of connected refrigerators.
- Class 43. Services for providing food and beverages; catering services; café services; bar services; cafeteria services; take-away food and beverage services; rental of drinking water dispensers.

Priority Date Claimed: 27 June 2024 France
SODEXO, 255 quai de la Bataille de Stalingrad,
ISSY-LES-MOULINEAUX, F-92130, France

Colour Claimed: Blue Pantone 2728C
Representative: Madame POUJADE-AURIOL
Isabelle AREOPAGE, 1 bis rue
de Pongerville, F-92000
NANTERRE, France

ICONECTIV

1832867 04/12/2024

- Class 9. Downloadable computer software, namely, software development tools for the creation of mobile numbering Internet applications and client interfaces to facilitate telecommunications numbering and number portability services.
- Class 38. Telecommunications numbering services, namely, wireless telephony and wireless broadband numbering communications services for the transmission of voice and data.
- Class 42. Software as a service (SAAS) services featuring software development tools for the creation of mobile numbering Internet applications and client interfaces to facilitate telecommunications numbering and number portability services; providing temporary use of on-line non-downloadable software development tools for the creation of mobile numbering Internet applications and client interfaces to facilitate telecommunications numbering and number portability services.

Priority Date Claimed: 20 June 2024 United States of America

iconectiv, LLC, 100 SOMERSET CORPORATE
BLVD., TARA DIAZ ESQ. EVP AND GENERAL
COUNSEL, BRIDGEWATER NJ 08807, United
States of America

Representative: James Klobucar Gearhart Law,
41 River Road, Summit NJ
07901, United States of
America

OPTIMAL PERENNI**1832970** 08/11/2024

- Class 9. Printed circuit boards; electronic chips; electronic integrated circuits; printed circuits; chips [integrated circuits]; semiconductor chips; microchips [computer hardware].
- Class 42. Design of integrated circuits; technical research in the field of manufacture of silicon photonic chips; conducting technical project studies; microchip design services; development of software for chip design.

Priority Date Claimed: 06 June 2024 China

Priority Date Claimed: 06 June 2024 China

Dongguan Guangmao Technology Co., LTD., One of No.122, Xiadiwei Lane, Daping, Tangxia Town, Dongguan City, Guangdong Province, China

Representative: Guangdong Huashang Law Firm, Floor 22A, 23A of Hong Kong China Travel Service Building, 4011 Shennan Avenue, Futian District, Shenzhen, Guangdong Province, China

Irenat**1833122** 27/11/2024

- Class 5. Medicine, namely a thyreostatic for the treatment of Basedow's disease.

Dotopharma GmbH, Rosenstr. 141, 58095 Hagen, Germany

PROCESS MEDITATION**1833182** 03/12/2024

- Class 41. Arranging and conducting workshops and seminars in the field of self-awareness.

Priority Date Claimed: 11 September 2024 United States of America

Progoff, Jonathan, 2245 E. Enterprise Pkwy - #B1, Twinsburg OH 44087, United States of America

Representative: Lauren K. Tagarao Renner, Otto, Boisselle & Sklar, LLP, 1621 Euclid Avenue, Floor 19, Cleveland OH 44115, United States of America

KASK**1833290** 27/03/2024

Class 9. Clothing for protection against injury; clothing, footwear and headwear for protection against accidents, irradiation and fire; eyewear pouches; spectacle cases; shoes for protection against accidents; footwear for protection against accidents, irradiation and fire; bicycle helmets; skateboarding helmets; helmets for American football; ice hockey helmets; protective helmets; protective helmets for motorists; protective helmets for sports; protective helmets for motorcyclists; safety helmets; riding helmets; ski helmets; helmets for motorcyclists; protective helmets for boxing; snowboarding helmets; protective helmets for children; spectacle chains; headgear being protective helmets; spectacle cords; noise cancelling headphones; sunglass nose pads; cases for sunglasses and protective eyewear; cases for eyeglasses and sunglasses; cases for children's eyeglasses; protection devices for personal use against accidents; safety harnesses, other than for vehicles or sports purposes; clothing for protection against fire; clothing for protection against accidents, irradiation and fire; safety clothing for protection against accident or injury; flashing safety lights; contact lenses; magnetic clip-on sunglass lenses; optical lenses; spectacle lenses; flashing safety lights; dust masks; protective masks, not for medical purposes; spectacle frames; silicone nose pads for spectacles; eyewear; goggles for sports; sunglasses; spectacles; safety goggles; smartglasses; 3D spectacles; head guards for

sports; parts for eyeglasses; flame-retardant balaclavas; balaclavas for protection against accidents, irradiation and fire; eyeglass holders; side shields for eyeglasses; protective eyeglasses; face guards for protection against accident or injury; crash helmets; protective footwear; boots for protection against fire; face shields, other than for medical purposes; face shields for protective helmets; face-shields for protection against accidents, irradiation and fire; asbestos screens for firefighters; protective face shields for workers; boots for protection against accidents, irradiation and fire; boots for protection against accidents; visors for helmets; neck protectors to attach to helmets; apparatus for noise suppression.

Priority Date Claimed: 12 March 2024 Italy

KASK S.p.A., VIA FIRENZE 5, I-24060
CHIUDUNO (BG), Italy

Representative: Barzanò & Zanardo Milano
S.p.A., Via Borgonuovo 10, I-
20121 Milano, Italy



1833299 13/06/2024

Class 9. Computer software; computer programmes for project management; computer software for management and administration of personnel and human resources;

Class 35.	computer software for electrically, magnetically and optically recorded data for computers; computer software and application software for payroll management, processing and administration; instructional and teaching apparatus and instruments; instructional, teaching and training materials in electronic form; data, images, graphics, text, programs or information stored on electronic, magnetic and/or digital form; CDs, CD-ROMs and DVDs; electronic publications.	information retrieval services; management of databases containing employment records and information regarding personnel and human resource matters; business management services in the field of policies and procedures; employment and human resource advisory, consultancy and information services; personnel management services, and advice and consultancy relating thereto; human resource investigation services; auditing of employment documents; employment counselling services; consultancy relating to evaluation of personnel requirements, personnel selection and personnel placement; business assistance and consultancy relating to the personnel development of staff (other than training) and the implementation and organisation of human resources; personnel recruitment, placement and selection; business administration of employee benefit plans; evaluation of personnel requirements and performance appraisal services in the nature of career planning; payroll advisory services; accounting services; accountancy services; advice and consultancy related to tax accounting; public relations; tax auditing services; copywriting; organisation of trade fairs; arranging of exhibitions and events for commercial and business purposes; payroll assistance; payroll preparation; payroll advisory services; wage payroll preparation; computerised payroll preparation; payroll
-----------	--	---

- processing services;
administration of business payroll for others; data processing services in the field of payroll; compilation of legal information;
accounting services relating to tax planning; advisory, consultancy and information services relating to all the aforementioned services.
- Class 36. Financial services; tax advice; tax consultancy; payroll tax debiting services; advisory, consultancy and information services relating to all the aforementioned services.
- Class 41. Education, training, entertainment, online entertainment, sporting and cultural activities, provision of online publications; education; education services relating to health and safety, regulatory affairs, employment law, human resources, police procedures, local government regulation and taxation; training and instruction services relating to health and safety, regulatory affairs, employment law, human resources, police procedures, local government regulation and taxation; provision of business training; provision of business educational courses; arranging and conducting of seminars, training sessions and workshops relating to health and safety, regulatory affairs, employment law, human resources, police procedures, local government regulation and taxation; educational assessment services in the context of self-assessment; publishing and lending of books, newspapers, magazines, periodicals and other printed matter, including via electronic channels, including the
- Internet; providing online non-downloadable electronic publications in the nature of books, newspapers, magazines, periodicals and other printed matter, including via electronic channels, including the Internet; multimedia publishing relating to computer software; providing educational information online from a database or via the Internet; provision of online electronic publications (non-downloadable); organisation of exhibitions for cultural and educational purposes; health and safety instruction services; information, consultancy and advisory services relating to all the aforementioned services.
- Class 42. Software as a service for personnel services, human resource administration and management and for creating, storing, maintaining and retrieving employment records; software as a service for health and safety services and for creating, storing, maintaining and retrieving health and safety reports and records; database and software design and development; bespoke design of software packages; design, development and updating of computer software relating to marketing, e-marketing, promotional, mailing databases, employment, employment workflow, employee management, legal, insurance, health and safety, salary surveys, tax and training matters; preparation of project analysis studies; technical and technological project studies; computerised business information storage services; project studies relating to health and safety; advisory, consultancy and

information services relating to all the aforementioned services.

- Class 45. Legal and regulatory compliance auditing services in the field of health and safety; security inspection services for others; safety assessment services; safety risk assessment services; information and consultancy services relating to safety; fire risk assessment services; legal document preparation services in the field of accident insurance; regulatory compliance auditing services in the field of health and safety; legal services; legal research; legal consultancy services; legal enquiry services; legal information research services; legal services relating to business, tax, employment, personnel, human resources and health and safety; legal representation services; tribunal representation services; legal documentation services; employment law advice; mediation services; arbitration services; information, advisory and consultancy services relating to all the aforementioned services.

Priority Date Claimed: 18 December 2023 United Kingdom

Bright HR Limited, The Peninsula, Victoria Place, MANCHESTER M4 4FB, United Kingdom

Representative: Wilson Gunn, Charles House, 148/149 Great Charles Street, Birmingham, West Midlands B3 3HT, United Kingdom



1833345 18/09/2024

- Class 29. Chicken wings baked and fried in oil; tinned olives; oil-based fondue; edible fats and oils; cooking oil; cannabinoid oil for human consumption; edible oils; almond oil for cooking; almond oil for food; amaranth oil; cannabis infused peanut oil; peanut oil; peanut oil for food; avocado oil; avocado oil for cooking; avocado oil for food use; extra virgin olive oil for food; extra virgin olive oil for food; extra virgin olive oil, olive oil, preserved olives, dried figs; extra virgin olive oil for cooking; olive oil for cooking; olive oil for cooking, avocado oil for cooking, cooking oils; virgin olive oil; olive oil for food; olive oil, edible oils, preserves, pickles and preserved fruits; orange oil for culinary purposes; bone oil for food; bone oil for food; whale oil for food; butter oil; camelina oil; cannabis oil for human consumption; cannabis oil for food use; canola oil; safflower oil for cooking; safflower oil for food use; hemp oil for food use; lime oil for culinary purposes;

lemon oil for culinary purposes; lemongrass oil for culinary purposes; coconut oil for cooking; coconut oil for food; rape oil for food; rape oil for food; cooking oil; cooking oil spray; wheat germ oil for food use; corn germ oil for food use; bitter gourd oil for food use; guava oil for food; pumpkin seed oil for food; camellia seed oil for food; hemp seed oil for food use; chia seed oil for food; linseed oils [edible]; linseed oil for food; poppyseed oil for culinary purposes; quinoa seed oil for food use; tamarind seed oil for food use; tea seed oil; tomato seed oil for food use; jambu oil for food use; lavender oil for culinary purposes; cottonseed oils for culinary purposes; linseed oil for cooking; linseed oil for food use; macadamia oil for food use; marijuana oil for human consumption; edible marijuana oil; maize oil for food; rape oil for food; hazelnut oil for food use; virgin coconut oil for food; cashew nut oil for food use; beechnut oil; mongongo nut oil for food use; pili nut oil for food use; pecan nut oil; brazil nut oil for food use; macadamia nut oil for cooking; walnut oil for cooking; walnut oil for food use; pecan oil for cooking; palm oil for food; palm oil for food; palm kernel oil for food; chili oil; pistachio oil; pepper oil for food; pumpkin seed oil for cooking; date seed oil for food use; pomegranate seed oil for food use; persimmon seed oil for food use; grapefruit seed oil for food use; watermelon seed oil for food use; apple seed oil; grapeseed oil; grape seed oil for cooking; grape seed oil

for culinary use; pequi oil for food use; perilla oil for food; rice bran oil for food; sacha inchi oil for food use; sapote oil for food use; soybean oil for cooking; soya bean oil for food; rice bran oil for cooking; soybean oil; soy bean oil for food; sesame oil for cooking; sesame oil for food; sunflower oil for food; sunflower oil for food; whale oil and fat for food; coconut oil and fat for food; black cumin oil and paste; hydrogenated oil for food use; blended oil for food; vegetable oil for cooking; edible oils; edible fish oils for culinary purposes; animal oils for food; oils for food; edible oils containing marijuana; edible oils containing cannabis derivatives; edible oils containing cannabis; edible oils contain cannabinoids; argan oil for cooking; olive oils; flavored olive oils; olive oils for food use; cooking oils; oil-based cooking spray; cottonseed oils for culinary purposes; mustard oils for food; pine nut oils for food use; hardened oils for food; vegetable oils and fats for food; edible oils and edible fats; edible oils and fats, olive oil, extra virgin olive oil; animal oils and fats for food use; powdered oils and fats for food; edible oils and resins derived from cannabis; vegetable oils for food; spiced oils for culinary purposes; preserved vegetables in oil; vegetables in vinegar; mango marinade, olive marinade, mixed marinade, garlic marinade, satkora marinade, alu bokhara marinade, chalta marinade; pickled onions; olives, preserved; processed stuffed olives; olives stuffed with pesto in sunflower oil;

olives stuffed with red peppers; olives stuffed with red peppers and almonds; olives stuffed with almonds; olives stuffed with feta cheese in sunflower oil; tinned olives; cocktail olives; dried olives; canned processed olives; marinated spicy olives; olive puree; processed olive puree; olive pastes; olive oil dips; shortening, margarine, edible oils, edible fats; butter oil substitutes; avocado oil spray.

electricity; portable solar panels for generating electricity; electric cables and wires; car chargers powered by heat pumps and solar power; inverters [electricity]; solar cells for electricity generation; solar panels; solar batteries; solar panels for the production of electricity; solar-powered rechargeable batteries; all the above-mentioned goods for use in the solar panel and heat pump industry.

Priority Date Claimed: 18 September 2024 Canada

Aztrade Company Inc., 1100-1200 McGill College Avenue, Montreal QC H3B 4G7, Canada

Representative: Aztrade Company Inc., 1100-1200 Av McGill College, Montréal QC H3B4G7, Canada

Cancellations effected for the following goods/services under the Madrid protocol

1626895 METHOD
Cancellation in respect of all goods and services registered at WIPO on 27/01/2025

Changes/Corrections in the International Register

1765020 Advertised in Journal No: 2526 on 09/10/2024, Class 9 was amended as follows.

Class 9

Apparatus and instruments for switching, transforming, regulating or controlling electricity; inverter controllers; inverters for power supply; solar panels for the production of